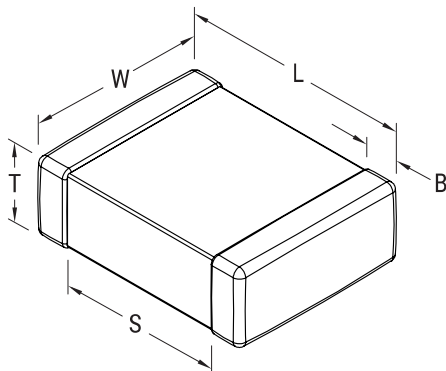


**KEMET Part Number: C0603C562J5GACTU**  
(C0603C562J5GAC7867)

SMD Comm COG, Ceramic, 5600 pF, 5%, 50 V, COG, SMD, MLCC, Ultra-Stable, Low Loss, Class I, 0603



**Dimensions**

| Dimension | Value            |
|-----------|------------------|
| L         | 1.6mm +/-0.15mm  |
| W         | 0.8mm +/-0.15mm  |
| T         | 0.8mm +/-0.07mm  |
| S         | 0.7mm MIN        |
| B         | 0.35mm +/-0.15mm |

**Packaging Specifications**

|                            |                        |
|----------------------------|------------------------|
| <b>Packaging:</b>          | T&R, 180mm, Paper Tape |
| <b>Packaging Quantity:</b> | 4000                   |

**General Information**

|                       |   |
|-----------------------|---|
| <b>Supplier:</b>      | KEMET   |
| <b>Series:</b>        | SMD Comm COG  |
| <b>Style:</b>         | SMD Chip  |
| <b>Description:</b>   | SMD, MLCC, Ultra-Stable, Low Loss, Class I              |
| <b>Features:</b>      | Ultra-Stable, Low Loss, Class I                         |
| <b>RoHS:</b>          | Yes   |
| <b>Termination:</b>   | Tin   |
| <b>Marking:</b>       | No  |
| <b>Failure Rate:</b>  | N/A   |
| <b>Miscellaneous:</b> | Note: KEMET 50V rated parts may be operated at 63 Volts |
| <b>Chip Size:</b>     | 0603  |
| <b>Shelf Life:</b>    | 78 Weeks  |
| <b>MSL:</b>           | 1   |

**Specifications**

|   |                     |
|---|---------------------|
| <b>Capacitance:</b>                     | 5600 pF             |
| <b>Capacitance Tolerance:</b>           | 5%                  |
| <b>Voltage DC:</b>                      | 50 VDC              |
| <b>Dielectric Withstanding Voltage:</b> | 125 V               |
| <b>Temperature Range:</b>               | -55/+125C           |
| <b>Temperature Coefficient:</b>         | COG                 |
| <b>Dissipation Factor:</b>              | 0.1% 1kHz 25C       |
| <b>Aging Rate:</b>                      | 0% Loss/Decade Hour |
| <b>Insulation Resistance:</b>           | 100 GOhms           |