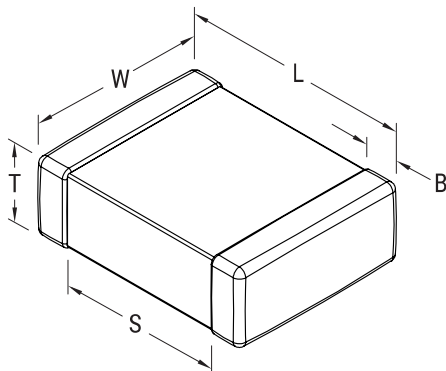


KEMET Part Number: C0805C225Z4VACTU
(C0805C225Z4VAC7800)

SMD Comm Y5V, Ceramic, 2.2 uF, -20/+80%, 16 V, Y5V, SMD, MLCC, General Purpose, Class III, 0805



Dimensions

Dimensions	
L	2mm +/-0.2mm
W	1.25mm +/-0.2mm
T	1.25mm +/-0.15mm
S	0.75mm MIN
B	0.5mm +/-0.25mm

Packaging Specifications

Packaging:	T&R, 180mm, Plastic Tape
Packaging Quantity:	2500

General Information

Supplier:	KEMET
Series:	SMD Comm Y5V
Style:	SMD Chip
Description:	SMD, MLCC, General Purpose, Class III
Features:	Class III
RoHS:	Yes
Termination:	Tin
Marking:	No
Failure Rate:	N/A
Miscellaneous:	Note: Referee time for Y5V dielectric for this part number is 48 hours
Chip Size:	0805
Shelf Life:	78 Weeks
MSL:	1

Specifications

Capacitance:	2.2 uF
Capacitance Tolerance:	-20/+80%
Voltage DC:	16 VDC
Dielectric Withstanding Voltage:	40 V
Temperature Range:	-30/+85C
Temperature Coefficient:	Y5V
Dissipation Factor:	7.000000000000001% 120Hz 25C
Aging Rate:	7% Loss/Decade Hour
Insulation Resistance:	45 MOhms