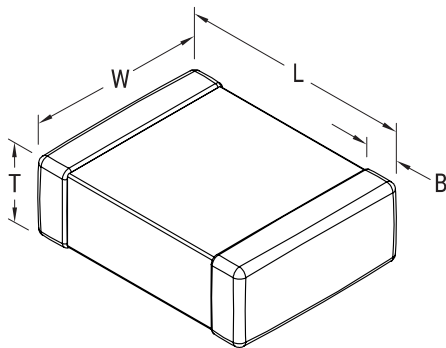


KEMET Part Number: M3253504E1C101JZMB-T&R
(C0805K101J2EML7189)

SMD MIL C0G PRF32535, Ceramic, Military/High Reliability, 100 pF, 5%, 200 V, C0G, SMD, Low ESR, MIL-PRF-32535, N/A, 0805



Dimensions

| | |
|---------------------|------------------------------|
| L (Imperial) | 0.079 Inches +/-0.010 Inches |
| L | 2.01mm +/-0.25mm |
| W (Imperial) | 0.050 Inches +/-0.010 Inches |
| W | 1.27mm +/-0.25mm |
| T (Imperial) | 0.060 Inches MAX |
| T | 1.52mm MAX |
| B (Imperial) | 0.020 Inches +/-0.010 Inches |
| B | 0.51mm +/-0.25mm |

Packaging Specifications

| | |
|----------------------------|------|
| Packaging: | T&R |
| Packaging Quantity: | 4000 |

General Information

| | |
|------------------------|-----------------------------|
| Supplier: | KEMET |
| Series: | SMD MIL C0G PRF32535 |
| Style: | SMD Chip |
| Description: | SMD, Low ESR, MIL-PRF-32535 |
| RoHS: | No |
| Termination: | Solder Plated |
| Failure Rate: | N/A |
| Qualifications: | MIL-PRF-32535 M-Level |
| Chip Size: | 0805 |
| Shelf Life: | 78 Weeks |
| MSL: | 1 |

Specifications

| | |
|---|---------------------|
| Capacitance: | 100 pF |
| Capacitance Tolerance: | 5% |
| Voltage DC: | 200 VDC |
| Dielectric Withstanding Voltage: | 500 V |
| Temperature Range: | -55/+125C |
| Temperature Coefficient: | C0G |
| Dissipation Factor: | 0.15% 1MHz 25C |
| Aging Rate: | 0% Loss/Decade Hour |
| Insulation Resistance: | 100 GOhms |