

Aluminium Enclosed 3 Pole + Neutral Firefighters Switch



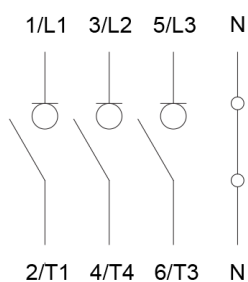
RoHS
Compliant



Approvals	CE
International/European Standard	IEC 60947-3

Data	Range	FF403PAL	Units	
Rated operational voltage Ue	Volts	690	V	
Rated insulation voltage Ui	Volts	690	V	
Rated impulse withstand voltage Uimp	Volts	6	kV	
Rated thermal current at 40°C	Amps	40	A	
Rated uninterrupted current Iu	Amps	40	A	
Pollution degree	-	2	-	
Rated operational current Ie				
IEC & EN	AC-21A	690V	40	A
	AC-22A	400 (415) V	40	A
	AC-22A	690V	32	A
	AC-23A	400 (415) V	25	A
	AC-23A	690V	17	A
Rated operational power Pe AC-23A (50Hz)				
IEC & EN	3 Phase	400 (415) V	11	kW
		690V	15	kW
Short Circuit Capacity (IEC)				
Max fuse size (Type gG)	Amps	32	A	
Rated Fused short circuit current	Amps	25	kA	
Terminal Specification				
Single/ Multiple strand wire/ Fine strand	-	2.5	Min-mm ²	
	-	6	Max-mm ²	
Recommended Tightening Torque	-	1.2	Nm	

Switch Configuration



3 Pole + Neutral

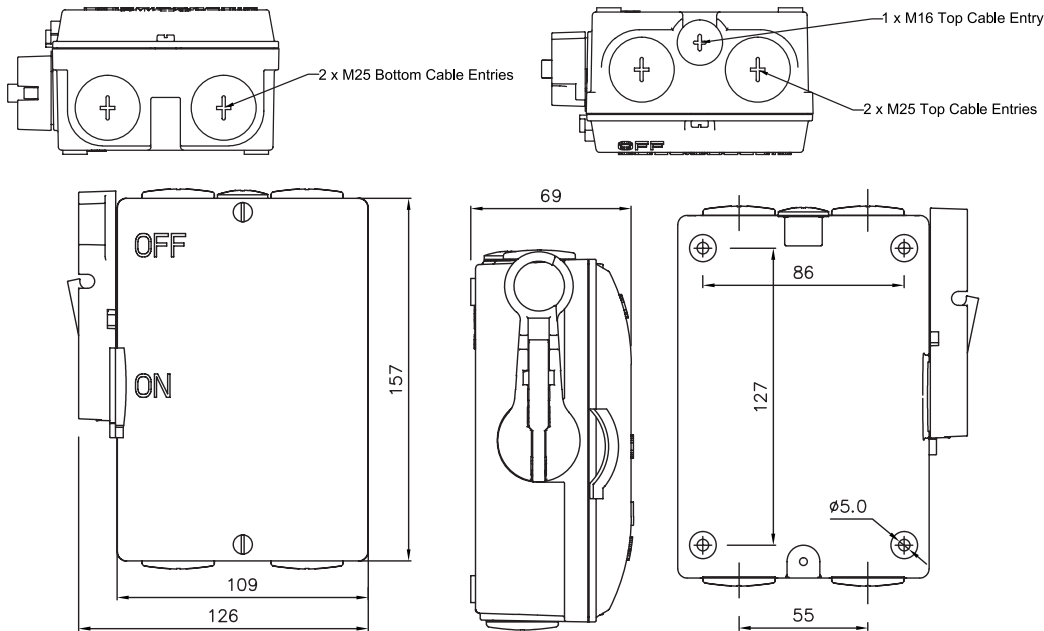
www.element14.com
www.farnell.com
www.newark.com



Aluminium Enclosed 3 Pole + Neutral Firefighters Switch



Technical Drawing



Dimensions : Millimetres

Part Number Table

Description	Part Number
Aluminium Enclosed 3 Pole + Neutral Firefighters Switch	MCFF403PAL

Important Notice : This data sheet and its contents (the "Information") belong to the members of the Premier Farnell group of companies (the "Group") or are licensed to it. No licence is granted for the use of it other than for information purposes in connection with the products to which it relates. No licence of any intellectual property rights is granted. The Information is subject to change without notice and replaces all data sheets previously supplied. The Information supplied is believed to be accurate but the Group assumes no responsibility for its accuracy or completeness, any error in or omission from it or for any use made of it. Users of this data sheet should check for themselves the Information and the suitability of the products for their purpose and not make any assumptions based on information included or omitted. Liability for loss or damage resulting from any reliance on the Information or use of it (including liability resulting from negligence or where the Group was aware of the possibility of such loss or damage arising) is excluded. This will not operate to limit or restrict the Group's liability for death or personal injury resulting from its negligence. Multicomp is the registered trademark of the Group. © Premier Farnell Limited 2016.

www.element14.com
www.farnell.com
www.newark.com

