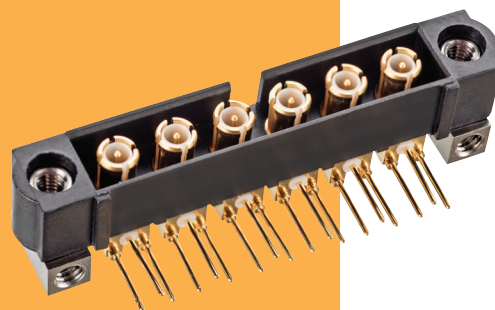


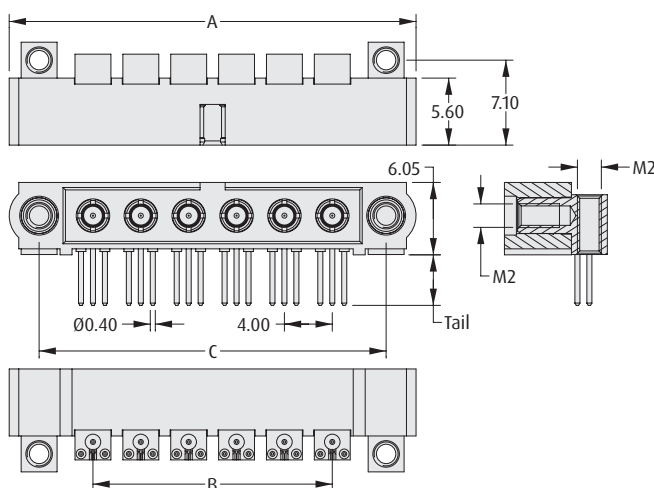
Datamate Coax Connectors

Plug (Male) Horizontal PC Tail

- ❖ Stocked coax connectors in horizontal orientation, with board-mount jackscrews for added security.
- ❖ 6GHz, 50Ω Coax contacts.
- ❖ Choice to suit two PCB thicknesses.
- ❖ Order board mount bolts separately.

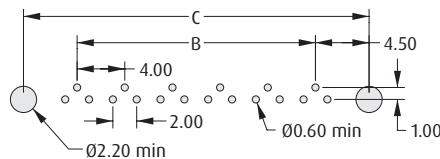


HORIZONTAL



CALCULATION

A	$B + 14$
B	$(\text{No. of Coax contacts} - 1) \times 4$
C	$B + 9$



Recommended PCB Board Pattern

HOW TO ORDER

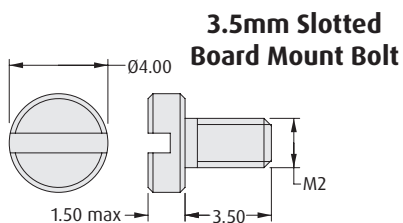
M80 - MH 3XX M5 - XX

TYPE	
313	3mm PC Tail
314	4.5mm PC Tail

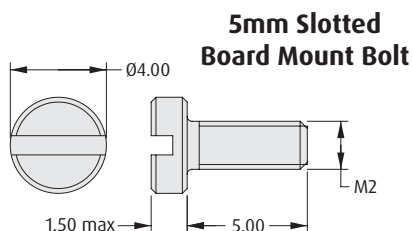
NO. OF COAX CONTACTS
02, 04, 06, 08

REQUIRED HARDWARE

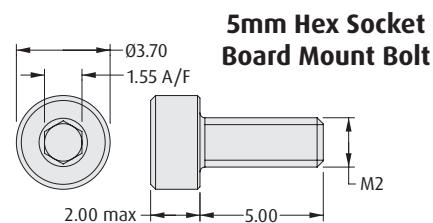
Order separately from connector



ORDER CODE
M80-2260000B



ORDER CODE
M80-2270000B



ORDER CODE
M80-2320000B

All dimensions in mm.