

19" WALL RACK

QUICK INSTALLATION GUIDE



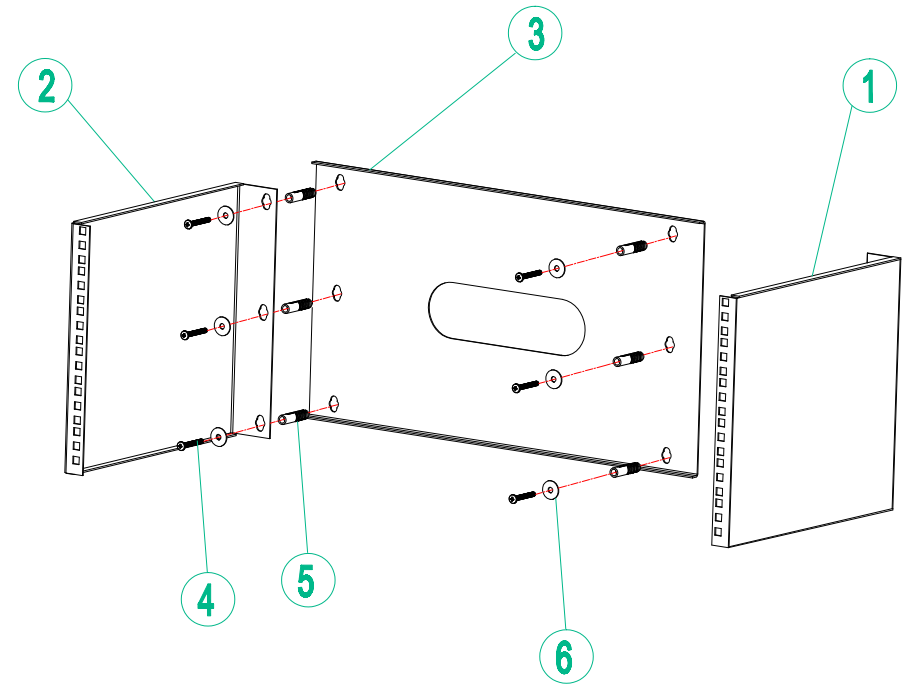
PLRSTN28U

Thank you for choosing this 19" Wall Rack

Please find all the parts described in the diagram at the top-right.

1. Install the parts as per drawing at the top-right.
2. Adjust in all directions to match the 19" width exactly.
3. Tight all screws, bolts, and nuts.
4. Install the nuts on the back of the square holes.

For more information please contact local distributor



- 1. Right Side Panel**
- 2. Left Side Panel**
- 3. Back Panel**
- 4. Self Tap Screw**
- 5. Plastic Concrete Screw**
- 6. Washer**