

# WIRELESS HEADPHONES

User's Guide for Model No. IAHB16 v1312-01



## FCC Warnings

Warning: Changes or modifications to this unit not expressly approved by the party responsible for compliance could void the user's authority to operate the equipment.

NOTE: This equipment has been tested and found to comply with the limits for a Class B digital device, pursuant to Part 15 of the FCC Rules. These limits are designed to provide reasonable protection against harmful interference in a residential installation. This equipment generates, uses, and can radiate radio frequency energy and, if not installed and used in accordance with the instructions, may cause harmful interference to radio communications. However, there is no guarantee that interference will not occur in a particular installation. If this equipment does cause harmful interference to radio or television reception, which can be determined by turning the equipment off and on, the user is encouraged to try to correct the interference by one or more of the following measures:

- Reorient or relocate the receiving antenna.
- Increase the separation between the equipment and receiver.
- Connect the equipment into an outlet on a circuit different from that to which the receiver is connected.
- Consult the dealer or an experienced radio/TV technician for help.

## Additional Warnings and Precautions

- To avoid hearing damage, make sure that the volume on your music player is turned down before connecting your headphones. After placing headphones in/on your ears, gradually turn up the volume until you reach a comfortable listening level.
- Lithium batteries, like all rechargeable batteries, are recyclable and should be recycled or disposed of according to state and local guidelines. They should never be disposed of in normal household waste, and they should never be incinerated, as they might explode. Contact your local government for disposal or recycling practices in your area.
- WARNING: This product may contain chemicals known to the State of California to cause birth defects, or other reproductive harm (California Prop 65). Wash hands after handling.
- This product meets and complies with all Federal regulations.

## FEATURES & CONTROLS

### Features

- Supports Bluetooth
- Wireless range: 33 feet
- Built-in microphone
- Aux in (3.5mm audio input)
- Adjustable headband
- On-ear controls
- DC battery power: built-in rechargeable lithium ion battery
- Battery life: approx. 6 hours at 50% volume
- Micro-USB port for battery recharge

### Includes

- Micro-USB to USB cable



#### Play/Pause

Press to play or pause the current track.

#### Skip Fwd/Rev/Vol +/-

Press to skip forward or back an audio track.  
Press and hold to set volume level.

#### SD/BT

Press to switch between SD Card or Bluetooth modes.

#### Power/Pair

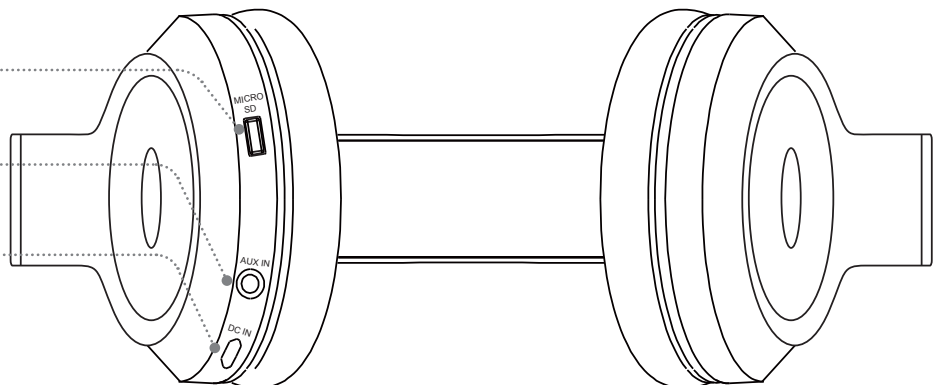
Press and hold to turn the unit **On or Off**.  
Press and hold for **4 sec.** to turn the unit on and begin pairing.

#### Power/Pairing Indicator Light

#### Micro SD Memory Card Slot

#### AUX In (3.5mm audio input)

#### DC Power Input



---

## BLUETOOTH

---

### Pairing a Bluetooth Device for the First Time

1. Simultaneously power on the unit and begin the pairing process by pressing and holding the **Power/Pair** button for approximately **4 seconds**.

The indicator will **flash red and blue**. When pairing, remain within 3 feet of the unit.

2. Using the native controls on your Bluetooth device, select the **IAHB16** in your Bluetooth settings to pair.

If your device requests a password, enter the default password **0000**.

Refer to the user's manual for your specific device for instructions on pairing and connecting Bluetooth devices.

After initial pairing, the unit will stay paired unless unpaired manually by the user or erased due to a reset of the device.

3. If your device should become unpaired or you find it is unable to connect, repeat the above steps.

### Playing Audio Wirelessly

1. To play or pause the selected track, use the controls on the connected Bluetooth Device or press the **Play/Pause** button. Use the **Skip Fwd/Rev** buttons to skip between tracks.
2. Audio played through the connected Bluetooth device will now be heard through the headphones.

---

## LED INDICATORS

---

STATUS	INDICATOR
Power On	Flashing blue light
Power Off	No light
Charging	Solid red light
Charging Complete	No light
Pairing	Flashing red and blue lights

---

## AUX IN

---

### Using the Aux In Audio Input

Requires a 3.5mm audio cable (not included).

1. Connect a 3.5mm audio cable to the **AUX IN** on the unit and the **audio output** on an audio device.
2. Use the controls on the connected device to select and play your audio through the headphones.

---

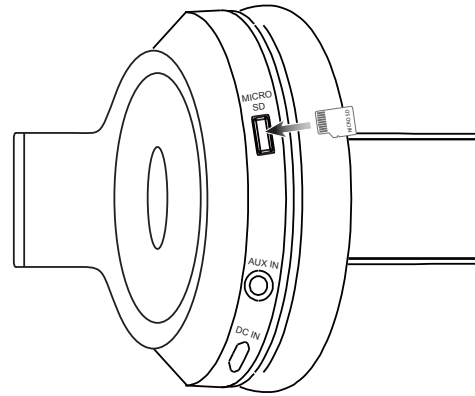
## MEMORY CARD

---

### Installing a Micro-SD Memory Card

Requires a Micro-SD card, up to 32GB (not included). Supports MP3 file types.

1. Insert a **Micro-SD card** into the card slot by pushing it firmly until it seats. Removal is the opposite of this.
2. Press the **SD/BT button** to switch to **SD mode**. Use the controls on the ear cup to play, pause, or skip tracks on the card.



---

## INTERNATIONAL SUPPORT

---

To download this User's Guide in English, Spanish, or French, or to get answers to frequently asked questions, visit the support section at: [www.iLiveElectronics.com](http://www.iLiveElectronics.com)

Para descargar este Manual del Usuario en inglés, español y francés, o para obtener respuestas a preguntas frecuentes, visite la sección de apoyo en: [www.iLiveElectronics.com](http://www.iLiveElectronics.com)

Pour télécharger ce guide de l'utilisateur en anglais, espagnol ou français, ou pour obtenir des réponses à des questions fréquemment posées, consultez la rubrique d'assistance sur: [www.iLiveElectronics.com](http://www.iLiveElectronics.com)

For Warranty Information and the most up-to-date version of this User's Guide, go to [www.iLiveElectronics.com](http://www.iLiveElectronics.com)

**Customer Service:** 1-888-999-4215 | **Email Support:** [prodinfo@dpiinc.com](mailto:prodinfo@dpiinc.com) | **Email Parts:** [partsinfo@dpiinc.com](mailto:partsinfo@dpiinc.com)

Copyright © 2015 Digital Products International (DPI, Inc.) All other trademarks appearing herein are the property of their respective owners. Specifications are subject to change without notice.



**Protect for Today  
Sustain for Tomorrow**