

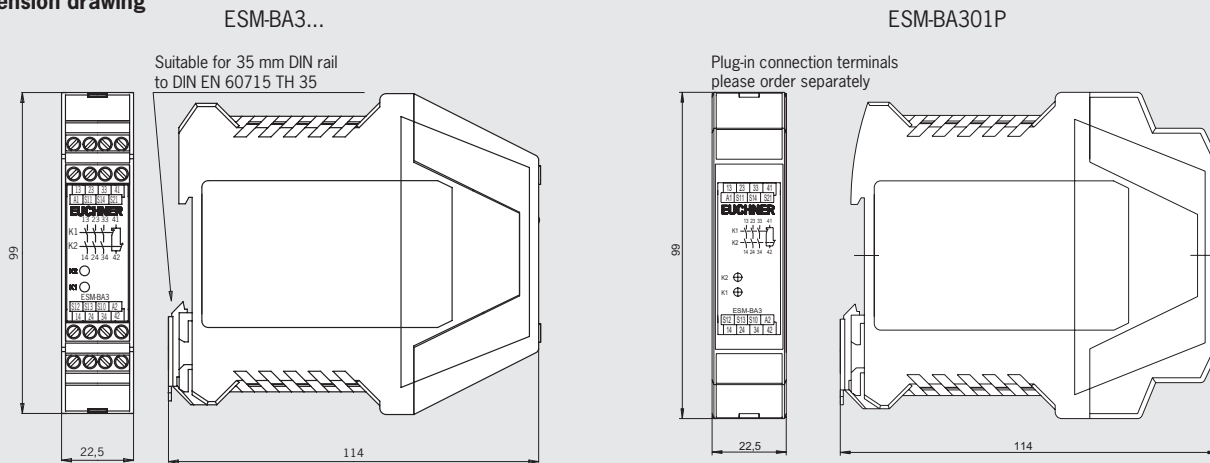


Safety relay ESM-BA3..

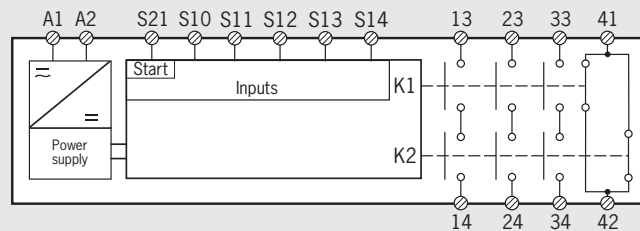


Cat. 4 STOP 0

Dimension drawing



Block diagram



Technical data outputs

Parameter	Value		
Min. switching current at DC 24 V	5 mA		
Switching voltage max.	DC 24 V / AC 250 V		
Utilization category * According to EN 60947-5-1	U_e	I_e	ΣI_e
	AC-12	250 V	8 A
	AC-15	250 V	3 A
	DC-12	50 V	8 A
	DC-13	24 V	3 A
			15 A ¹⁾

1) If several ESM-BA3.. are closely spaced under load, the max. cumulative current at an ambient temperature of 20 °C = 9 A; at 30 °C = 3 A; at 40 °C = 1 A. If these currents are exceeded, a spacing of 5 mm between the devices must be observed.

U_e = switching voltage

I_e = max. switching current per contact

ΣI_e = max. switching current on all safety contacts (cumulative current)

* See page 26 for information about the utilization category

Ordering table

Series	Version	Outputs	Version	AC/DC 24 V	AC 115 V	AC 230 V
ESM	BA Safety relay	3 3 NO + 1 NC	Screw terminals	085613 ESM-BA301	087412 ESM-BA302	087413 ESM-BA303
			Plug-in connection terminals ¹⁾	097230 ESM-BA301P	-	-

1) Please order plug-in connection terminals separately (see page 16)