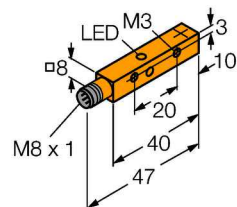


NI4U-Q8SE-AP6X-V1131

Inductive sensor



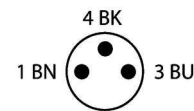
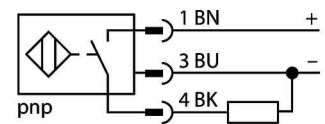
Features

- Rectangular, height 8 mm
- Active face on top
- Factor 1 for all metals
- Increased switching distance
- Protection class IP68
- Resistant to magnetic fields
- Auto-compensation protects against pre-attenuation
- Flush mounted installation on up to 4 sides
- DC 3-wire, 10...30 VDC
- NO contact, PNP output
- M8 x 1 male connector

Technical data

Type	NI4U-Q8SE-AP6X-V1131
ID number	4635808
Rated switching distance	4 mm
Mounting conditions	Non-flush, flush mountable
Secured operating distance	$\leq (0,81 \times S_n)$ mm
Repeat accuracy	$\leq 2\%$ of full scale
Temperature drift	$\leq \pm 10\%$ $\leq \pm 15\%, \leq -25\text{ °C } v \geq +70\text{ °C}$
Hysteresis	3...15 %
Ambient temperature	-30...+85 °C
Operating voltage	10...30 VDC
Residual ripple	$\leq 10\% U_{ss}$
DC rated operational current	≤ 150 mA
No-load current	≤ 15 mA
Residual current	≤ 0.1 mA
Isolation test voltage	≤ 0.5 kV
Short-circuit protection	yes / Cyclic
Voltage drop at	≤ 1.8 V
Wire breakage/Reverse polarity protection	yes / Complete
Output function	3-wire, NO contact, PNP
Protection class	□
Switching frequency	1 kHz
Design	Rectangular, Q8SE
Dimensions	40 x 8 x 8 mm
Housing material	Plastic, PP, Yellow
Active area material	PP, yellow
Tightening torque	≤ 0.6 Nm

Wiring diagram

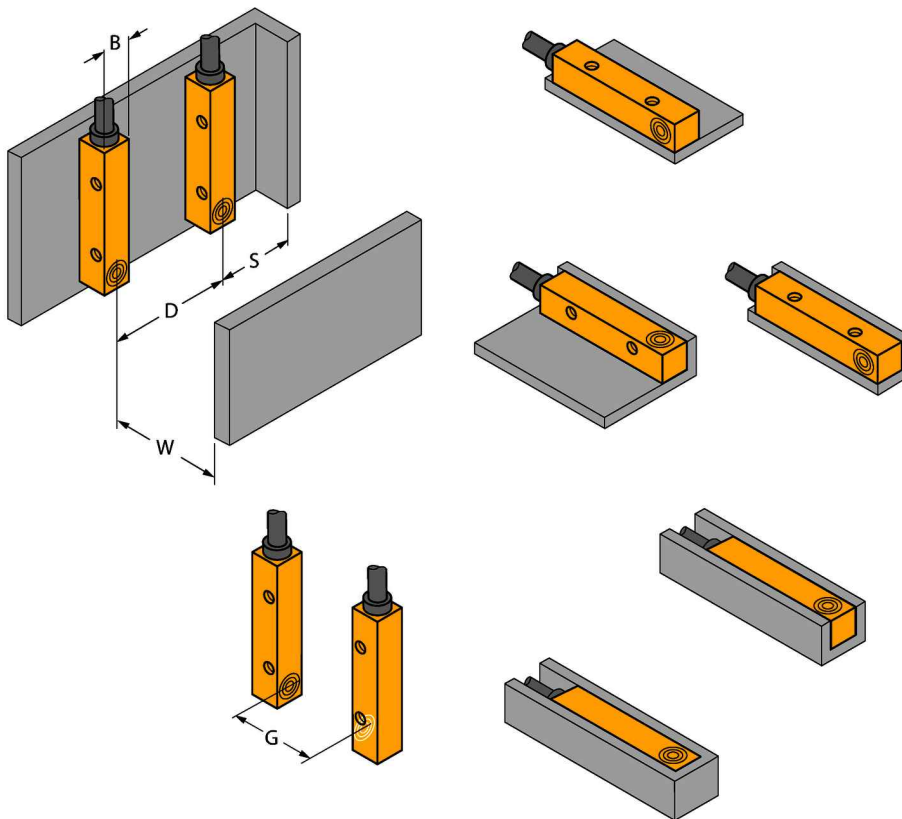


Inductive sensors detect metal objects contactless and wear-free. Due to the patented multi-coil system, *uprox*[®]+ sensors have distinct advantages over conventional sensors. They excel in largest switching distances, maximum flexibility and operational reliability as well as efficient standardization.

Technical data

Electrical connection	Connector, M8 × 1
Vibration resistance	55 Hz (1 mm)
Shock resistance	30 g (11 ms)
Protection class	IP68
MTTF	874 years acc. to SN 29500 (Ed. 99) 40 °C
Switching state	LED yellow

Mounting instructions/Description



Distance D	24 mm
Distance W	12 mm
Distance S	12 mm
Distance G	24 mm
Width active area B	8 mm

Flush mounting
 1-side mounting:
 Sr = 3.5 mm
 2-side mounting:
 Sr = 3.0 mm
 3-side mounting:
 Sr = 2.5 mm
 4-side mounting:
 Sr = 2.0 mm

Wiring accessories

Type	ID number	
PKG3M-2/TEL	6625058	Connection cable, female M8, straight, 3-pin, cable length: 2 m, sheath material: PVC, black; cULus approval; other cable lengths and qualities available, see www.turck.com

