

# RF Coaxial Connector

## N Jack with Flange for RG58, SFF-50-3-1, SYV-50-3 Cables



**RoHS  
Compliant**



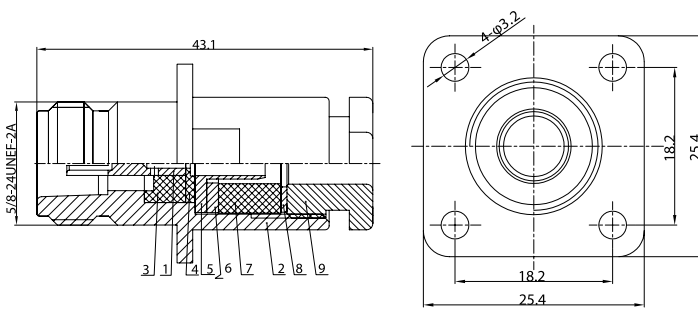
### Description

N connectors are screw-type coupling and provide sturdy reliable connection. The N connectors are available for flexible, semi-rigid and corrugated cable as well as bulkhead and panel versions.

### Specifications

Impedance : 50Ω  
 Frequency : 0-11GHz  
 Working Voltage : 1000V Max.  
 Insulation Resistance : ≥5000MΩ  
 Dielectric Withstanding Voltage : 1500V

### Diagram



Dimensions : Millimetres

No.	Description	Material	Plated	Qty.
1	Centre Contact	QSnCu	Gold	1
2	Body	Brass	Nickel	
3	Insulator	PTFE	-	
4				
5	Bush	Brass	Nickel	
6	Gasket			
7				
8				
9	Nut	PTFE	-	

### Part Number Table

Description	Part Number
RF Coaxial Connector, N Jack w/ Flange, RG58/SFF-50-3-1/SYV-50-3 Cables, 50Ω, 0-11GHz	MC002128

**Important Notice :** This data sheet and its contents (the "Information") belong to the members of the Premier Farnell group of companies (the "Group") or are licensed to it. No licence is granted for the use of it other than for information purposes in connection with the products to which it relates. No licence of any intellectual property rights is granted. The Information is subject to change without notice and replaces all data sheets previously supplied. The Information supplied is believed to be accurate but the Group assumes no responsibility for its accuracy or completeness, any error in or omission from it or for any use made of it. Users of this data sheet should check for themselves the Information and the suitability of the products for their purpose and not make any assumptions based on information included or omitted. Liability for loss or damage resulting from any reliance on the Information or use of it (including liability resulting from negligence or where the Group was aware of the possibility of such loss or damage arising) is excluded. This will not operate to limit or restrict the Group's liability for death or personal injury resulting from its negligence. Multicomp is the registered trademark of the Group. © Premier Farnell Limited 2016.

www.element14.com  
 www.farnell.com  
 www.newark.com

