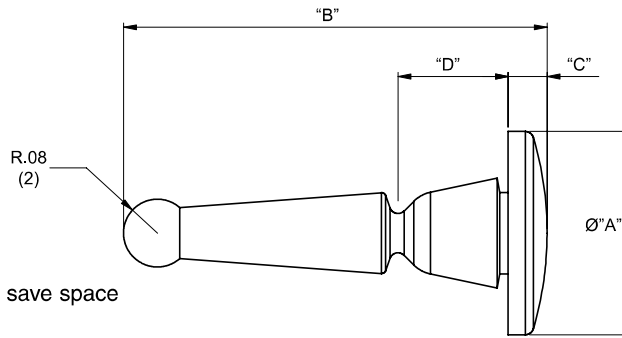


STEM BUMPERS

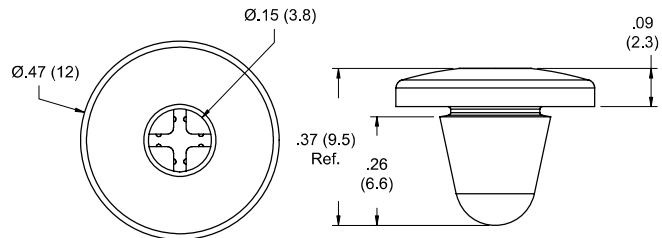
BAB
Break-Away Bumper



- Designed to be pulled from the inside of the chassis
- Mounting tab designed to break away after assembly to save space
- Silicone is good for high temperature applications
- Color: Black

Item No.	Hole Ø	Panel Thickness	"A" Ø	"B"	"C"	"D"	Material	Price Each
BAB-1	.197-.212 (5.0-5.4)	.024 - .031 (0.6 - 0.8)	.47 (12)	.98 (25)	.09 (2.3)	.26 (6.5)	Silicone Rubber, 40 Shore A, RMS-316	0.19
BAB-2	.197-.212 (5.0-5.4)	.024 - .031 (0.6 - 0.8)	.47 (12)	.98 (25)	.09 (2.3)	.26 (6.5)	Silicone Rubber, 50 Shore A, RMS-364	0.19
BAB-3	.185-.197 (4.7-5)	.020 (0.5)	.39 (10)	.79 (20)	.08 (2)	.16 (4.3)	Silicone Rubber, 50 Shore A, RMS-364	0.19

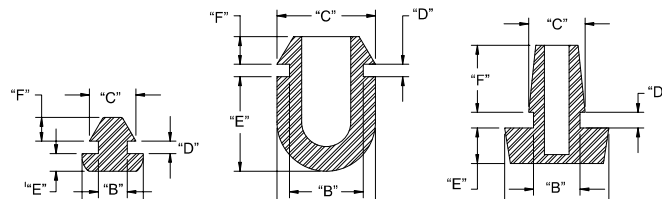
BIB
Blind Install Bumper



- Installed from the outside of the chassis
- Cross that is molded into the head allows quick installation with a #1 phillips head screwdriver or 1/8 (3.2) Ø or smaller blunt end rod
- May be used as an alternate to the BAB series seen above
- Material: Silicone Rubber, 45 Shore A
- Color: Black

Item No.	Hole Ø	Panel Thickness	Price Each
BIB-1	.197 - .212 (5 - 5.4)	.024 - .031 (1.6 - 0.8)	0.28

POF
Push On Feet



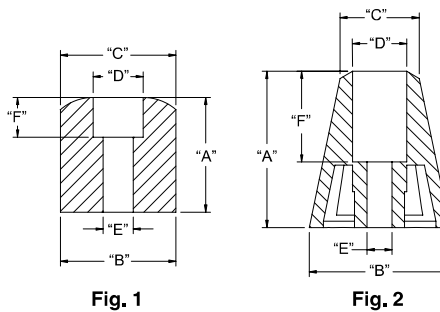
- Easily mounted by pushing into chassis
- Material: UL94 HB TPE
- Color: Black

Item No.	Hole Ø	Panel Thickness	"A" Ø	"B" Ø	"C" Ø	"D"	"E"	"F" Ref.	Fig.	Price Each
POF-40022	.146 - .150 (3.7-3.8)	.126 (3.2)	.31 (7.9)	.126 (3.2)	.17 (4.4)	.13 (3.3)	.06 (1.6)	.13 (3.3)	1	0.35
POF-40048	.177 - .181 (4.5-4.6)	.059 (1.5)	.31 (7.9)	.146 (3.7)	.24 (6.1)	.06 (1.6)	.09 (2.3)	.12 (3)	1	0.30
POF-40059	.374 - .378 (9.5-9.6)	.059 (1.5)	.50 (12.7)	.374 (9.5)	.50 (12.7)	.06 (1.6)	.48 (12.2)	.14 (3.6)	2	0.79
POF-50185	.236 - .240 (6-6.1)	.075 (1.9)	.53 (13.4)	.236 (6)	.29 (7.3)	.08 (2)	.18 (4.6)	.34 (8.6)	3	0.45
POF-12664	.276 - .280 (7-7.1)	.047 (1.2)	.62 (15.7)	.276 (7)	.34 (8.6)	.05 (1.3)	.20 (5.1)	.16 (4.1)	3	0.50

SOF
Screw Mount Feet



- Securely mounted with a screw
- Provides excellent skid resistance
- Material: Neoprene Rubber
- Color: Black



Item No.	"A"	Ø "B"	Ø "C" Ref.	Ø "D"	Ø "E"	"F"	Fig.	Price Each
SOF-15129	.28 (7.1)	.63 (15.9)	.54 (13.8)	.31 (8)	.13 (3.2)	.16 (4)	1	0.82
SOF-15140	.37 (9.5)	.69 (17.5)	-	.31 (8)	.16 (4)	.20 (5.2)	2	0.75
SOF-15125	.45 (11.5)	.75 (19.1)	.71 (18)	.40 (10.2)	.20 (5)	.25 (6.35)	1	1.23
SOF-15111	.60 (15.25)	.75 (19)	.50 (12.7)	.31 (8)	.16 (4)	.19 (4.8)	2	1.23
SOF-15127	.72 (18.35)	.73 (18.5)	-	.31 (8)	.19 (4.8)	.25 (6.35)	1	1.72
SOF-15126	.98 (25)	.89 (22.5)	.50 (12.7)	.34 (8.7)	.16 (4)	.57 (14.5)	2	1.64