

24vdc 500mA 12W European Power Supply

PowerPax



This switch mode power supply is rated to 12W maximum, providing a regulated 24vdc output at up to 0.5A with no minimum load. The unit meets Level VI COC Tier 2 efficiency standards. This power supply carries full safety approvals. Short circuit and over current protection is integral.

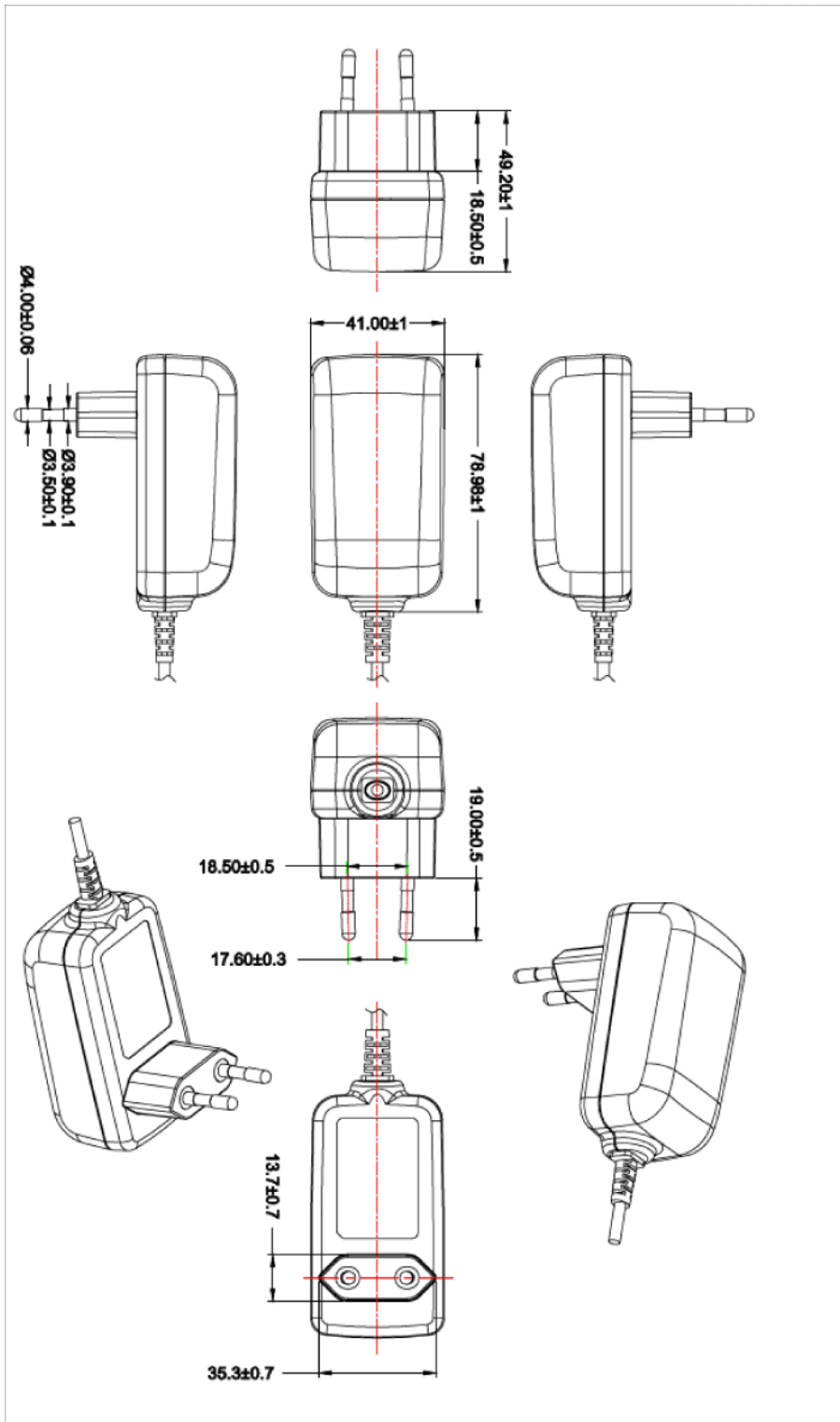
Part Numbers	SW4309C	Power Consumption (no load)	0.075W max
Output	24vdc 0.5A max. (No min. load)	Input Power (max)	15.17W max
Power	12 Watts	Input Current (RMS Max.)	0.4A max
Line Reg	+/-5% at rated load	Hi-Pot Spec	3000Vac 10mA 1 min. (I.P. to O.P.)
Total Output Regulation	+/-5 % at 0—100% load	Output cable	1.8 Metres 24AWG 2468
Ripple & Noise (mV p-p)	240mV P-P	Operating Temperature	0 to 40 degrees C
Protections	Over Current and Short Circuit	Storage Temperature	-20 to 80 degrees C
Case Size	See Page2	Operating Humidity	10% to 90%
DC Plug	2.1 x 5.5 x 12mm	Safety Approvals	CE,
Polarity	+ve Centre	EMC Standards	EN55022:2010 Class B / FCC Part B
Rated Input Voltage	100-240Vac	MTBF	50K Hours at 25 degrees C
Full Input Voltage Range	90-264Vac	MTBF	50K Hours at 25 degrees C
Rated Frequency	50-60Hz	Plastic Case	UL94V-1
Full Frequency Range	47-63Hz		
Efficiency	Coc Tier 2 / VI (83.26% minimum)		

Full spec sheet on this PSU is available on request. PowerPax Ltd accepts no responsibility for typographical errors in the production of this leaflet. Product specifications are subject to change without notice



24vdc 500mA 12W European Power Supply

PowerPax



Full spec sheet on this PSU is available on request. PowerPax Ltd accepts no responsibility for typographical errors in the production of this leaflet. Product specifications are subject to change without notice

