

Switch Disconnecter Door Interlock



Approvals	CB, CE & SEMKO
UL Standard	UL508
International / European Standard	IEC & EN 60947-1 and 3

Switch Specifications

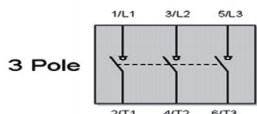
Data	Range	Switch Codes					Units	
		LBDI253P	LBDI323P	LBDI403P	LBDI633P	LBDI1253P		
Rated operational voltage Ue								
IEC & EN	Volts	690	690	690	690	690	V	
UL	Volts	600	600	600	600	600	V	
Main switch: Isolating voltage up to	Volts	750	750	750	750	750	V	
Rated impulse withstand voltage Uimp	Volts	6	6	6	6	6	kV	
Rated uninterrupted current Iu	Amps	25	32	40	63	125	A	
Rated operational current Ie								
IEC & EN	AC-22A	Up to 690V	25	32	40	63	125	A
	AC-21A	Up to 690V	32	40	63	80	125	A
	AC-1	Up to 690V	32	40	63	80	125	A
Rated operational power AC-23A (50-60Hz)								
IEC & EN	3 Phase	230 (240)V	11	15	22	30	55	kW
		400 (415)V	15	18.5	30	37	75	kW
		690V	22	22	45	45	90	kW
Rated operational power AC-3 (50-60Hz)								
IEC & EN	3 Phase	230 (240)V	7.5	11	15	22	45	kW
		400 (415)V	11	11	18.5	22	55	kW
		690V	15	15	30	30	55	kW
UL Power Rating								
DOL	3 Phase	120V	3	3	5	7.5	7.5	hp
		240V	7.5	7.5	10	15	30	hp
		480V	15	20	20	25	40	hp
		600V	20	25	30	30	50	hp
	1 Phase	120V	1.5	2	3	3	3	hp
		240V	2	3	5	7.5	7.5	hp

Switch Disconnecter Door Interlock



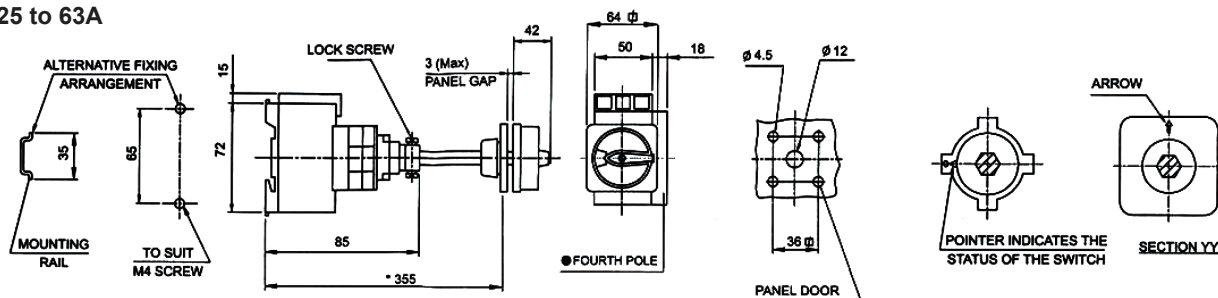
Data	Range	Switch Codes					Units
		LBDI253P	LBDI323P	LBDI403P	LBDI633P	LBDI1253P	
UL Short Circuit Ratings							
Fuse rating, class J	Amps	45	45	70	70	125	A
Fuse rating, class RK5	Amps	-	-	-	-	-	A
Rated Fused short circuit current	Amps	10	10	10	10	10	kA
Short Circuit Capacity (IEC)							
Max fuse size (Type gl)	Amps	32	32	63	63	125	A
Rated Fused short circuit current	Amps	30	30	30	30	30	kA
Terminal Specification							
Single/ Multiple strand wire		2.5	2.5	2.5	2.5	2.5	Min-mm ²
		10	10	25	25	50	Max-mm ²
Fine strand with sleeve		0.75	0.75	2.5	2.5	4	Min-mm ²
		6	6	10	10	50	Max-mm ²
American wire gauge		10	10	6	6	1	AWG
Recommended Tightening Torque		1.7	1.7	2	2	2.5	Nm

Terminal Configuration

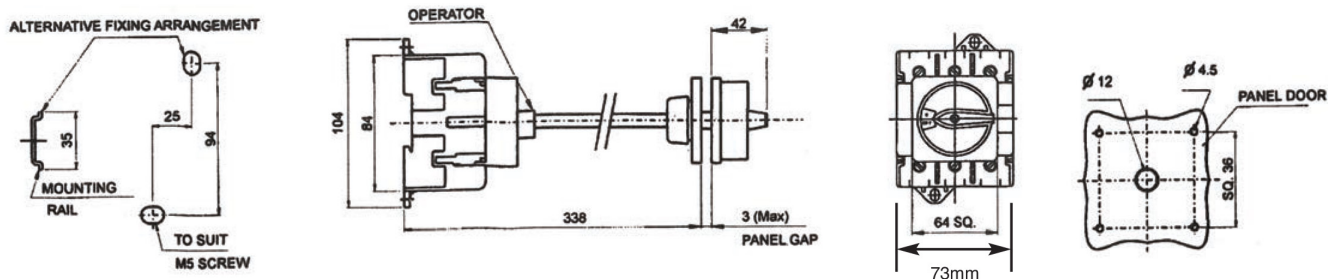


3 Pole Dimensions

25 to 63A



80 to 125A



Dimensions : Millimetres

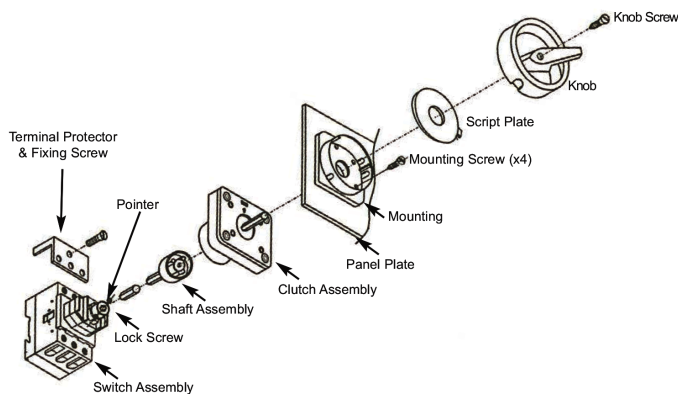
www.element14.com
www.farnell.com
www.newark.com



Switch Disconnecter Door Interlock



Switch Assemble Diagram



Mounting Procedure for Door Interlock Switches

- Fix clutch assembly keeping arrows upwards and position the knob in the OFF position
- Fix the switch in-line with clutch assembly
- Cut the shaft to the appropriate length and tighten the lock screws (recommended tightening torque 1.2Nm)

Part Number Table

Description	Part Number
Enclosed Switch Disconnecter, Door Interlock, 3 Pole, 25A	LBDI253P
Enclosed Switch Disconnecter, Door Interlock, 3 Pole, 32A	LBDI323P
Enclosed Switch Disconnecter, Door Interlock, 3 Pole, 40A	LBDI403P
Enclosed Switch Disconnecter, Door Interlock, 3 Pole, 63A	LBDI633P
Enclosed Switch Disconnecter, Door Interlock, 3 Pole, 125A	LBDI1253P

Important Notice : This data sheet and its contents (the "Information") belong to the members of the Premier Farnell group of companies (the "Group") or are licensed to it. No licence is granted for the use of it other than for information purposes in connection with the products to which it relates. No licence of any intellectual property rights is granted. The Information is subject to change without notice and replaces all data sheets previously supplied. The Information supplied is believed to be accurate but the Group assumes no responsibility for its accuracy or completeness, any error in or omission from it or for any use made of it. Users of this data sheet should check for themselves the Information and the suitability of the products for their purpose and not make any assumptions based on information included or omitted. Liability for loss or damage resulting from any reliance on the Information or use of it (including liability resulting from negligence or where the Group was aware of the possibility of such loss or damage arising) is excluded. This will not operate to limit or restrict the Group's liability for death or personal injury resulting from its negligence. Multicomp is the registered trademark of the Group. © Premier Farnell Limited 2016.

