

Miniature Safety Limit Switch

Features

- Applicable to both standard loads and microload
- Conforms to EN115 and EN81-1
- Certified standards: UL, EN(TUV), and CCC

Characteristics

Degree of protection		IP67
Rating	IEC 60947-5-1	AC-15 240V AC / 3A, DC-13 250V DC / 0.27A
	UL508	A300 250VAC / 15A
Durability	Mechanical	15,000,000 operations min.
	Electrical	500,000 operations min. (3A resistive load at 250V AC) 300,000 operations min. (10A resistive load at 250V AC)
Operating Speed		1 to 500 mm/s
Operating Frequency	Mechanical	30 operations / minute max.
	Electrical	
Rated Frequency		50/60Hz
Insulation Resistance		100MΩ min.
Contact Resistance		25mΩ max.
Dielectric Strength	Between terminals of same polarity	2.5kV
	Between current-carrying metal parts and ground	4kV
	Between each terminal and non-current-carrying metal part	6kV
Rated insulation voltage (Ui)		300V
Pollution degree (Application environment)		3 (EN60947-5-1)
Conditional short-circuit current		100A (EN60947-5-1)
Rated open thermal current (Ith)		10A (EN60947-5-1)
Degree of protection against electric shock		Class II
Vibration Resistance	Malfunction	10~55 Hz 0.75mm single amplitude
Shock Resistance	Destruction	1,000m/s ² min.
	Malfunction	300m/s ² min.
Ambient operating temperature range		-30°C ~ +70°C with no icing
Ambient operating humidity range		95% RH

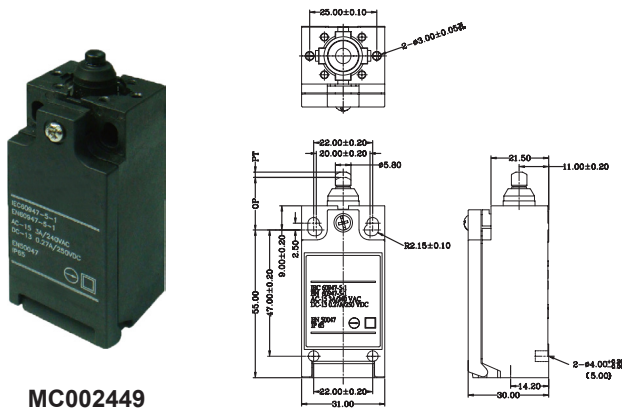
Notes:

1. Above values of these characteristics are initial values.
2. Above values of these characteristics may be depending on different models.
3. Above durability is for an ambient temperature of 5 to 35°C and ambient humidity of 40% to 70%.

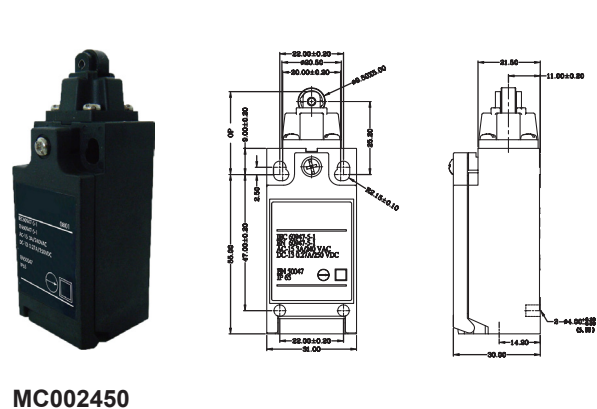
Operating Characteristics

Part Number	Operating Force (Max.)	Release Force (Min.)	Pre Travel (Max.)	Over Travel (Min.)	Movement Differential (Max.)	Operating Position	Total Travel	Direct Opening Travel	Direct Opening Force
MC002449	6.5N	1.5N	2mm	4mm	1mm	18.2 ±0.5mm	(6mm)	3.2mm	20N
MC002450	6.5N	1.5N	2mm	4mm	1mm	28.6 ±0.8mm	(6mm)	3.2mm	20N
MC002451	5N	0.5N	18 ~ 27°	40°	14°	-	(80°)	50°	20N
MC002452	4.5N	0.4N	18 ~ 27°	40°	14°	-	(80°)	50°	20N
MC002453	4.5N	0.4N	18 ~ 27°	40°	14°	-	(80°)	50°	20N
MC002454	5N	0.8N	4mm	5mm	1.5mm	37 ±0.8mm	(9mm)	5.8mm	20N
MC002455	1.5N	-	15°	-	-	-	-	-	-

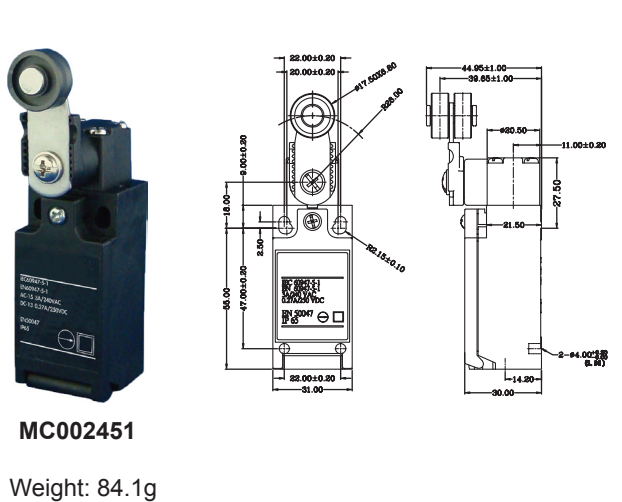
Standard Top Plunger



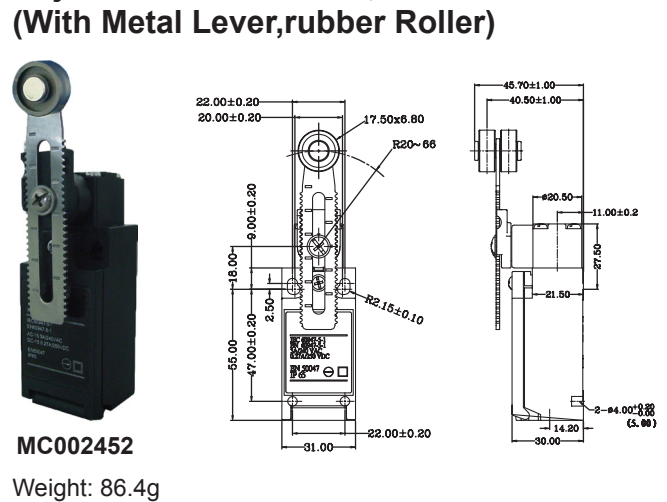
Standard Roller Plunger



Vertical Standard Roller Lever



Adjustable Roller Lever, Form Lock (With Metal Lever, rubber Roller)



Dimensions : Millimetres

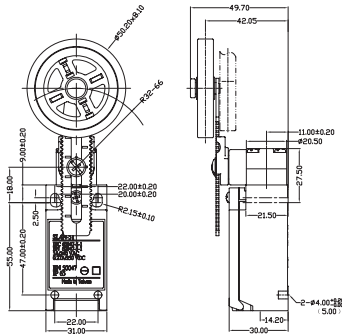
Miniature Safety Limit Switch

Adjustable Roller Lever, Form Lock (with Metal Lever, Rubber Roller)



MC002453

Weight: 100.7g

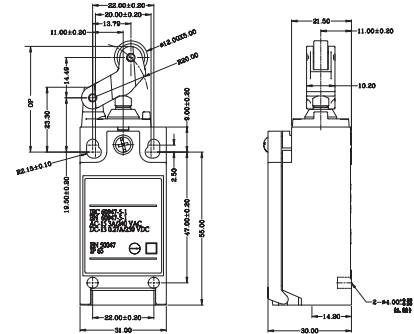


One-way Roller Arm Lever (Horizontal)



MC002454

Weight: 64g

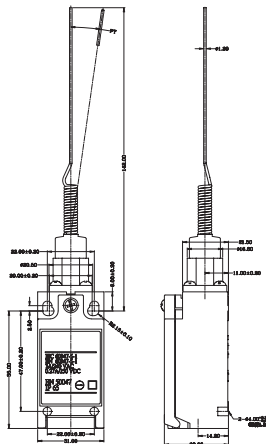


Cat Whisker



MC002455

Weight: 71g



Dimensions : Millimetres

Part Number Table

Description	Part Number
Vertical Limit Switch, Miniature Safety, Standard Top Plunger, Screw Terminal	MC002449
Vertical Limit Switch, Miniature Safety, Standard Roller Plunger, Screw Terminal	MC002450
Vertical Limit Switch, Miniature Safety, Vertical Standard Roller Lever, Screw Terminal	MC002451
Vertical Limit Switch, Miniature Safety, Adjustable Roller Lever, Form Lock, Screw Terminal	MC002452
Vertical Limit Switch, Miniature Safety, Adjustable Roller Lever, Form Lock, Screw Terminal	MC002453
Vertical Limit Switch, Miniature Safety, One-Way Roller Arm Lever (Horizontal), Screw Terminal	MC002454
Vertical Limit Switch, Miniature Safety, Cat Whisker, Screw Terminal	MC002455

Important Notice : This data sheet and its contents (the "Information") belong to the members of the Premier Farnell group of companies (the "Group") or are licensed to it. No licence is granted for the use of it other than for information purposes in connection with the products to which it relates. No licence of any intellectual property rights is granted. The Information is subject to change without notice and replaces all data sheets previously supplied. The Information supplied is believed to be accurate but the Group assumes no responsibility for its accuracy or completeness, any error in or omission from it or for any use made of it. Users of this data sheet should check for themselves the Information and the suitability of the products for their purpose and not make any assumptions based on information included or omitted. Liability for loss or damage resulting from any reliance on the Information or use of it (including liability resulting from negligence or where the Group was aware of the possibility of such loss or damage arising) is excluded. This will not operate to limit or restrict the Group's liability for death or personal injury resulting from its negligence. Multicomp is the registered trademark of the Group. © Premier Farnell Limited 2016.