

NO: SD-105 **PRODUCT: S8JX-G Power Supplies**
DATE: October 2017 **TYPE: Discontinuation Notice**

S8JX-G Power Supplies will be Discontinued; Start New Projects with S8FS-G Series



Discontinuation date: February, 2019

Note: Date is subject to change based on raw materials and components availability at the factory.

Overview Summary

Product Discontinuation	Recommended Replacement
Switch Mode Power Supply Model S8JX-G series 15/35/50/100/150W Models 300W (12V,24V,48V) Models 600W (12V,24V,48V) Models Model S8JX-G series 300W (5V) Model 600W (5V) Model	Switch Mode Power Supply Model S8FS-G series 15/30/50/100/150W Models 300W (12V,24V,48V) Models 600W (12V,24V,48V) Models Model S8JX-P series 300W (5V) Model 600W (5V) Model
Mounting Bracket Model S82Y-JX□□B Model S82Y-JX□□F Model S82Y-JX0□DIN Model S82Y-J00F Model S82Y-J30F	Mounting Bracket No recommended replacement No recommended replacement No recommended replacement No recommended replacement No recommended replacement



Cautions on Applying Replacements

- Dimensions are different.
- Wire connection is different.
 - Mounting method is different.
 - Start-up time takes longer.
 - Output hold time takes shorter.
 - Overcurrent protection characteristics are different.
 - There are some Models which are not designed for parallel operation.
 - There are some Models which have different cooling method.
 - There are some Models which have different derating curve.
 - The output capacity of the S8FS-G05005□□ is 40 W.
 - The output capacity of the S8FS-G10005□□ is 80 W.
 - The output capacity of the S8FS-G15005□□ is 105 W.

See the detail of differences on the following pages.

Affected Parts

DIN Rail mounting / Covered type

Product discontinuation Model	Recommended replacement Model
S8JX-G01505CD	S8FS-G01505CD
S8JX-G01512CD	S8FS-G01512CD
S8JX-G01515CD	S8FS-G01515CD
S8JX-G01524CD	S8FS-G01524CD
S8JX-G01548CD	S8FS-G15048CD
S8JX-G03505CD	S8FS-G03005CD
S8JX-G03512CD	S8FS-G03012CD
S8JX-G03515CD	S8FS-G03015CD
S8JX-G03524CD	S8FS-G03024CD
S8JX-G03548CD	S8FS-G15048CD
S8JX-G05005CD	S8FS-G05005CD (*1)
S8JX-G05012CD	S8FS-G05012CD
S8JX-G05024CD	S8FS-G05024CD
S8JX-G05048CD	S8FS-G15048CD
S8JX-G10005CD	S8FS-G10005CD (*2)
S8JX-G10012CD	S8FS-G10012CD
S8JX-G10024CD	S8FS-G10024CD
S8JX-G10048CD	S8FS-G15048CD
S8JX-G15005CD	S8FS-G15005CD (*3)
S8JX-G15012CD	S8FS-G15012CD
S8JX-G15024CD	S8FS-G15024CD
S8JX-G15048CD	S8FS-G15048CD
S8JX-G30005CD	S8JX-P30005CD
S8JX-G30012CD	S8FS-G30012CD
S8JX-G30024CD	S8FS-G30024CD
S8JX-G30048CD	S8FS-G30048CD

*1. The output capacity is 40 W.

*2. The output capacity is 80 W.

*3. The output capacity is 105 W.

DIN Rail mounting / Open-frame type

Product discontinuation Model	Recommended replacement Model
S8JX-G01505D	S8FS-G01505CD
S8JX-G01512D	S8FS-G01512CD
S8JX-G01515D	S8FS-G01515CD
S8JX-G01524D	S8FS-G01524CD
S8JX-G01548D	S8FS-G15048CD
S8JX-G03505D	S8FS-G03005CD
S8JX-G03512D	S8FS-G03012CD
S8JX-G03515D	S8FS-G03015CD
S8JX-G03524D	S8FS-G03024CD
S8JX-G03548D	S8FS-G15048CD
S8JX-G05005D	S8FS-G05005CD (*1)
S8JX-G05012D	S8FS-G05012CD
S8JX-G05024D	S8FS-G05024CD
S8JX-G05048D	S8FS-G15048CD
S8JX-G10005D	S8FS-G10005CD (*2)
S8JX-G10012D	S8FS-G10012CD
S8JX-G10024D	S8FS-G10024CD
S8JX-G10048D	S8FS-G15048CD
S8JX-G15005D	S8FS-G15005CD (*3)
S8JX-G15012D	S8FS-G15012CD
S8JX-G15024D	S8FS-G15024CD
S8JX-G15048D	S8FS-G15048CD

• There are not recommended products for open-frame type.

*1. The output capacity is 40 W.

*2. The output capacity is 80 W.

*3. The output capacity is 105 W.

Front Mounting / Covered Type

Product discontinuation		Recommended replacement	
Model	Mounting	Model	Front-mounting Bracket (Order Separately)
S8JX-G01505C	Side/Bottom	S8FS-G01505C	—
	Front	S8FS-G01505CD	S82Y-FSG-30F
S8JX-G01512C	Side/Bottom	S8FS-G01512C	—
	Front	S8FS-G01512CD	S82Y-FSG-30F
S8JX-G01515C	Side/Bottom	S8FS-G01515C	—
	Front	S8FS-G01515CD	S82Y-FSG-30F
S8JX-G01524C	Side/Bottom	S8FS-G01524C	—
	Front	S8FS-G01524CD	S82Y-FSG-30F
S8JX-G01548C	Side/Bottom	S8FS-G15048C	—
	Front	S8FS-G15048CD	S82Y-FSG-30F
S8JX-G03505C	Side/Bottom	S8FS-G03005C	—
	Front	S8FS-G03005CD	S82Y-FSG-30F
S8JX-G03512C	Side/Bottom	S8FS-G03012C	—
	Front	S8FS-G03012CD	S82Y-FSG-30F
S8JX-G03515C	Side/Bottom	S8FS-G03015C	—
	Front	S8FS-G03015CD	S82Y-FSG-30F
S8JX-G03524C	Side/Bottom	S8FS-G03024C	—
	Front	S8FS-G03024CD	S82Y-FSG-30F
S8JX-G03548C	Side/Bottom	S8FS-G15048C	—
	Front	S8FS-G15048CD	S82Y-FSG-30F
S8JX-G05005C	Side/Bottom	S8FS-G05005C (*1)	—
	Front	S8FS-G05005CD (*1)	S82Y-FSG-30F
S8JX-G05012C	Side/Bottom	S8FS-G05012C	—
	Front	S8FS-G05012CD	S82Y-FSG-30F
S8JX-G05024C	Side/Bottom	S8FS-G05024C	—
	Front	S8FS-G05024CD	S82Y-FSG-30F
S8JX-G05048C	Side/Bottom	S8FS-G15048C	—
	Front	S8FS-G15048CD	S82Y-FSG-30F
S8JX-G10005C	Side/Bottom	S8FS-G10005C (*2)	—
	Front	S8FS-G10005CD (*2)	S82Y-FSG-30F
S8JX-G10012C	Side/Bottom	S8FS-G10012C	—
	Front	S8FS-G10012CD	S82Y-FSG-30F
S8JX-G10024C	Side/Bottom	S8FS-G10024C	—
	Front	S8FS-G10024CD	S82Y-FSG-30F
S8JX-G10048C	Side/Bottom	S8FS-G15048C	—
	Front	S8FS-G15048CD	S82Y-FSG-30F
S8JX-G15005C	Side/Bottom	S8FS-G15005C (*3)	—
	Front	S8FS-G15005CD (*3)	S82Y-FSG-30F
S8JX-G15012C	Side/Bottom	S8FS-G15012C	—
	Front	S8FS-G15012CD	S82Y-FSG-30F
S8JX-G15024C	Side/Bottom	S8FS-G15024C	—
	Front	S8FS-G15024CD	S82Y-FSG-30F
S8JX-G15048C	Side/Bottom	S8FS-G15048C	—
	Front	S8FS-G15048CD	S82Y-FSG-30F

*1. The output capacity is 40 W.

*2. The output capacity is 80 W.

*3. The output capacity is 105 W.

Front Mounting / Covered Type continued

Product discontinuation		Recommended replacement	
Model	Mounting	Model	Front-mounting Bracket (Order Separately)
S8JX-G30005C	Side/Bottom	S8JX-P30005N	—
	Front	S8JX-P30005C	—
S8JX-G30012C	Side/Bottom	S8FS-G30012C	—
	Front	S8FS-G30012CD	S82Y-FSG-30F
S8JX-G30024C	Side/Bottom	S8FS-G30024C	—
	Front	S8FS-G30024CD	S82Y-FSG-30F
S8JX-G30048C	Side/Bottom	S8FS-G30048C	—
	Front	S8FS-G30048CD	S82Y-FSG-30F
S8JX-G60005C	Side/Bottom	S8JX-P60005N	—
	Front	S8JX-P60005C	—
S8JX-G60012C	Side/Bottom	S8FS-G60012C	—
	Front	S8FS-G60012CD	S82Y-FSG-60F
S8JX-G60024C	Side/Bottom	S8FS-G60024C	—
	Front	S8FS-G60024CD	S82Y-FSG-60F
S8JX-G60048C	Side/Bottom	S8FS-G60048C	—
	Front	S8FS-G60048CD	S82Y-FSG-60F

Front Mounting / Open-Frame Type

Product discontinuation		Recommended replacement	
Model	Mounting	Model	Front-mounting Bracket (Order Separately)
S8JX-G01505	Side/Bottom	S8FS-G01505C	—
	Front	S8FS-G01505CD	S82Y-FSG-30F
S8JX-G01512	Side/Bottom	S8FS-G01512C	—
	Front	S8FS-G01512CD	S82Y-FSG-30F
S8JX-G01515	Side/Bottom	S8FS-G01515C	—
	Front	S8FS-G01515CD	S82Y-FSG-30F
S8JX-G01524	Side/Bottom	S8FS-G01524C	—
	Front	S8FS-G01524CD	S82Y-FSG-30F
S8JX-G01548	Side/Bottom	S8FS-G15048C	—
	Front	S8FS-G15048CD	S82Y-FSG-30F
S8JX-G03505	Side/Bottom	S8FS-G03005C	—
	Front	S8FS-G03005CD	S82Y-FSG-30F
S8JX-G03512	Side/Bottom	S8FS-G03012C	—
	Front	S8FS-G03012CD	S82Y-FSG-30F
S8JX-G03515	Side/Bottom	S8FS-G03015C	—
	Front	S8FS-G03015CD	S82Y-FSG-30F
S8JX-G03524	Side/Bottom	S8FS-G03024C	—
	Front	S8FS-G03024CD	S82Y-FSG-30F
S8JX-G03548	Side/Bottom	S8FS-G15048C	—
	Front	S8FS-G15048CD	S82Y-FSG-30F
S8JX-G05005	Side/Bottom	S8FS-G05005C (*1)	—
	Front	S8FS-G05005CD (*1)	S82Y-FSG-30F
S8JX-G05012	Side/Bottom	S8FS-G05012C	—
	Front	S8FS-G05012CD	S82Y-FSG-30F
S8JX-G05024	Side/Bottom	S8FS-G05024C	—
	Front	S8FS-G05024CD	S82Y-FSG-30F

There are not recommended products for open-frame type

*1. The output capacity is 40 W.

Product discontinuation		Recommended replacement	
Model	Mounting	Model	Front-mounting Bracket (Order Separately)
S8JX-G05048	Side/Bottom	S8FS-G15048C	—
	Front	S8FS-G15048CD	S82Y-FSG-30F
S8JX-G10005	Side/Bottom	S8FS-G10005C (*2)	—
	Front	S8FS-G10005CD (*2)	S82Y-FSG-30F
S8JX-G10012	Side/Bottom	S8FS-G10012C	—
	Front	S8FS-G10012CD	S82Y-FSG-30F
S8JX-G10024	Side/Bottom	S8FS-G10024C	—
	Front	S8FS-G10024CD	S82Y-FSG-30F
S8JX-G10048	Side/Bottom	S8FS-G15048C	—
	Front	S8FS-G15048CD	S82Y-FSG-30F
S8JX-G15005	Side/Bottom	S8FS-G15005C (*3)	—
	Front	S8FS-G15005CD (*3)	S82Y-FSG-30F
S8JX-G15012	Side/Bottom	S8FS-G15012C	—
	Front	S8FS-G15012CD	S82Y-FSG-30F
S8JX-G15024	Side/Bottom	S8FS-G15024C	—
	Front	S8FS-G15024CD	S82Y-FSG-30F
S8JX-G15048	Side/Bottom	S8FS-G15048C	—
	Front	S8FS-G15048CD	S82Y-FSG-30F

There are no recommended products for open-frame type

*1. The output capacity is 40 W.

*2. The output capacity is 80 W.

*3. The output capacity is 105 W.

Accessories and Spare Parts (Sold separately)

Product discontinuation	Recommended replacement
S82Y-JX03B	No recommended replacement
S82Y-JX05B	No recommended replacement
S82Y-JX10B	No recommended replacement
S82Y-JX15B	No recommended replacement
S82Y-JX15F	No recommended replacement
S82Y-JX30B	No recommended replacement
S82Y-JX30F	No recommended replacement
S82Y-JX60B	No recommended replacement
S82Y-JX60F	No recommended replacement
S82Y-JX01DIN	No recommended replacement
S82Y-JX02DIN	No recommended replacement
S82Y-JX03DIN	No recommended replacement
S82Y-J00F	No recommended replacement
S82Y-J30F	No recommended replacement

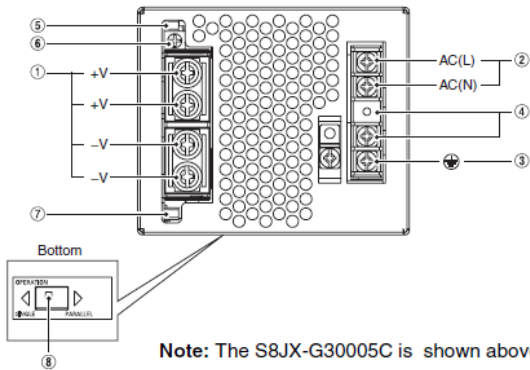
Detail of Differences

Terminal Arrangement / Wire Connection

Product discontinuation Model S8JX-G series	Recommended replacement Model S8FS-G series																																																														
<p style="text-align: center;"><15W,35W,50W,100W,150W Models></p> <p>Note: The S8JX-G05024CD is shown above.</p> <p>Note: The S8JX-G15005C is shown above.</p> <table border="1" style="width:100%; border-collapse: collapse; margin-top: 10px;"> <thead> <tr> <th>No.</th> <th>Name</th> <th>Function</th> </tr> </thead> <tbody> <tr> <td>1</td> <td>DC Output Terminals (-V), (+V)</td> <td>Connect the load lines to these terminals.</td> </tr> <tr> <td>2</td> <td>AC Input Terminals (L), (N)</td> <td>Connect the input lines to these terminals. #1</td> </tr> <tr> <td>3</td> <td>Protective Earth Terminal (PE) (⊕)</td> <td>Connect the ground line to these terminals. #2</td> </tr> <tr> <td>4</td> <td>Output Voltage Adjuster (V. ADJ)</td> <td>It is possible to increase or decrease the output voltage.</td> </tr> <tr> <td>5</td> <td>Output Indicator (DC ON: Green)</td> <td>Lights green while a direct current (DC) output is ON.</td> </tr> <tr> <td>6</td> <td>Input voltage switch</td> <td>Switches the internal circuits according to the input voltage. *115V*: 100 to 120 VAC *230V*: 200 to 240 VAC</td> </tr> </tbody> </table> <p>*1. The fuse is located on the (L) side. It is NOT user-replaceable. For a DC power input, connect the low side to the positive (+) terminal. *2. This is the protective earth terminal specified in the safety standards. Always ground this terminal.</p>	No.	Name	Function	1	DC Output Terminals (-V), (+V)	Connect the load lines to these terminals.	2	AC Input Terminals (L), (N)	Connect the input lines to these terminals. #1	3	Protective Earth Terminal (PE) (⊕)	Connect the ground line to these terminals. #2	4	Output Voltage Adjuster (V. ADJ)	It is possible to increase or decrease the output voltage.	5	Output Indicator (DC ON: Green)	Lights green while a direct current (DC) output is ON.	6	Input voltage switch	Switches the internal circuits according to the input voltage. *115V*: 100 to 120 VAC *230V*: 200 to 240 VAC	<p style="text-align: center;"><15W,30W,50W,100W,150W Models></p> <table border="1" style="width:100%; border-collapse: collapse; margin-top: 10px;"> <thead> <tr> <th>No.</th> <th>Terminal name</th> <th>Name</th> <th>Function</th> </tr> </thead> <tbody> <tr> <td>(1)</td> <td>L</td> <td rowspan="3">Input terminals</td> <td rowspan="3">Connect the input lines to these terminals. #1</td> </tr> <tr> <td>(2)</td> <td>N</td> </tr> <tr> <td>(3)</td> <td>PE</td> <td>Protective Earth terminal (⊕)</td> </tr> <tr> <td>(4)</td> <td>+V1</td> <td rowspan="4">DC output terminals</td> <td rowspan="4">Connect the load lines to these terminals.</td> </tr> <tr> <td>(5)</td> <td>+V2</td> </tr> <tr> <td>(6)</td> <td>-V1</td> </tr> <tr> <td>(7)</td> <td>-V2</td> </tr> <tr> <td>(8)</td> <td>---</td> <td>Output indicator (DC ON: green)</td> <td>Lights while a direct current (DC) output is ON.</td> </tr> <tr> <td>(9)</td> <td>---</td> <td>Output voltage adjuster (V.ADJ)</td> <td>Use to adjust the voltage.</td> </tr> <tr> <td>(10)</td> <td>+RC</td> <td rowspan="2">Remote control terminals</td> <td rowspan="2">Wire for remote control.</td> </tr> <tr> <td>(11)</td> <td>-RC</td> </tr> <tr> <td>(12)</td> <td>---</td> <td>Parallel operation switch</td> <td>To operate in parallel, set the switch to the "PARALLEL" side.</td> </tr> </tbody> </table> <p>*1. The fuse is located on the (L) side. It is not user-replaceable. For a DC input, connect the positive voltage to the L terminal. *2. This is the protective earth terminal specified in the safety standards. Always ground this terminal.</p>	No.	Terminal name	Name	Function	(1)	L	Input terminals	Connect the input lines to these terminals. #1	(2)	N	(3)	PE	Protective Earth terminal (⊕)	(4)	+V1	DC output terminals	Connect the load lines to these terminals.	(5)	+V2	(6)	-V1	(7)	-V2	(8)	---	Output indicator (DC ON: green)	Lights while a direct current (DC) output is ON.	(9)	---	Output voltage adjuster (V.ADJ)	Use to adjust the voltage.	(10)	+RC	Remote control terminals	Wire for remote control.	(11)	-RC	(12)	---	Parallel operation switch	To operate in parallel, set the switch to the "PARALLEL" side.
No.	Name	Function																																																													
1	DC Output Terminals (-V), (+V)	Connect the load lines to these terminals.																																																													
2	AC Input Terminals (L), (N)	Connect the input lines to these terminals. #1																																																													
3	Protective Earth Terminal (PE) (⊕)	Connect the ground line to these terminals. #2																																																													
4	Output Voltage Adjuster (V. ADJ)	It is possible to increase or decrease the output voltage.																																																													
5	Output Indicator (DC ON: Green)	Lights green while a direct current (DC) output is ON.																																																													
6	Input voltage switch	Switches the internal circuits according to the input voltage. *115V*: 100 to 120 VAC *230V*: 200 to 240 VAC																																																													
No.	Terminal name	Name	Function																																																												
(1)	L	Input terminals	Connect the input lines to these terminals. #1																																																												
(2)	N																																																														
(3)	PE			Protective Earth terminal (⊕)																																																											
(4)	+V1	DC output terminals	Connect the load lines to these terminals.																																																												
(5)	+V2																																																														
(6)	-V1																																																														
(7)	-V2																																																														
(8)	---	Output indicator (DC ON: green)	Lights while a direct current (DC) output is ON.																																																												
(9)	---	Output voltage adjuster (V.ADJ)	Use to adjust the voltage.																																																												
(10)	+RC	Remote control terminals	Wire for remote control.																																																												
(11)	-RC																																																														
(12)	---	Parallel operation switch	To operate in parallel, set the switch to the "PARALLEL" side.																																																												

**Product discontinuation
Model S8JX-G series**

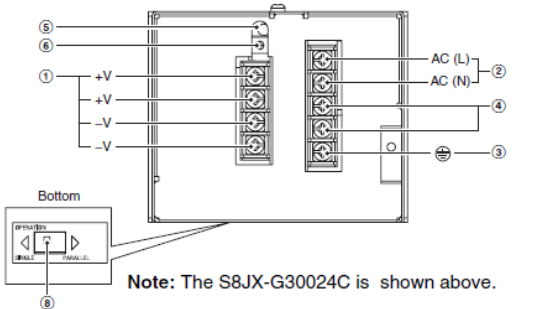
<300W (12V) Model>



No.	Name	Function
1	DC Output Terminals (+V), (-V)	Connect the load lines to these terminals.
2	AC Input Terminals (L), (N)	Connect the input lines to these terminals. *1
3	Protective Earth Terminal (PE) (⊕)	Connect the ground line to these terminals. *2
4	Input Voltage Selector Terminals	Short-circuit the terminals if the input is 100 to 120 VAC and open the terminals if the input is 200 to 240 VAC.
5	Output Indicator (DC ON: Green)	Lights green while a direct current (DC) output is ON.
6	Output Voltage Adjuster (V. ADJ)	It is possible to increase or decrease the output voltage.
7	Protection-ON Alarm Indicator (ALM: Red)	The red indicator will be lit if the overvoltage or overheat protection circuit is triggered. This indicator will also be lit when overload is detected. *3
8	Selector of Parallel Operation	Set the selector to PARALLEL if the Units are in parallel operation.

- *1. The fuse is located on the (L) side. It is NOT user-replaceable.
- *2. This is the protective earth terminal specified in the safety standards. Always ground this terminal.
- *3. This is not applicable to 24-V and 48-V models.

<300W (24V,48V) Model>

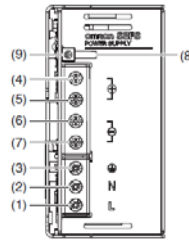


No.	Name	Function
1	DC Output Terminals (+V), (-V)	Connect the load lines to these terminals.
2	AC Input Terminals (L), (N)	Connect the input lines to these terminals. *1
3	Protective Earth Terminal (PE) (⊕)	Connect the ground line to these terminals. *2
4	Input Voltage Selector Terminals	Short-circuit the terminals if the input is 100 to 120 VAC and open the terminals if the input is 200 to 240 VAC.
5	Output Indicator (DC ON: Green)	Lights green while a direct current (DC) output is ON.
6	Output Voltage Adjuster (V. ADJ)	It is possible to increase or decrease the output voltage.
7	Protection-ON Alarm Indicator (ALM: Red)	The red indicator will be lit if the overvoltage or overheat protection circuit is triggered. This indicator will also be lit when overload is detected. *3
8	Selector of Parallel Operation	Set the selector to PARALLEL if the Units are in parallel operation.

- *1. The fuse is located on the (L) side. It is NOT user-replaceable.
- *2. This is the protective earth terminal specified in the safety standards. Always ground this terminal.
- *3. This is not applicable to 24-V and 48-V models.

**Recommended replacement
Model S8FS-G series**

<300W (12V,24V,48V) Models>

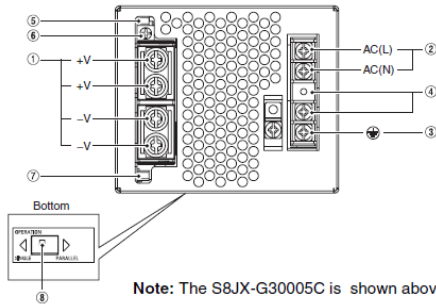


No.	Terminal name	Name	Function
(1)	L	Input terminals	Connect the input lines to these terminals. *1
(2)	N		
(3)	PE	Protective Earth terminal (⊕)	Connect the ground line to this terminal. *2
(4)	+V1	DC output terminals	Connect the load lines to these terminals.
(5)	+V2		
(6)	-V1		
(7)	-V2		
(8)	---	Output indicator (DC ON: green)	Lights while a direct current (DC) output is ON.
(9)	---	Output voltage adjuster (V.ADJ)	Use to adjust the voltage.
(10)	+RC	Remote control terminals	Wire for remote control.
(11)	-RC		
(12)	---	Parallel operation switch	To operate in parallel, set the switch to the "PARALLEL" side.

- *1. The fuse is located on the (L) side. It is not user-replaceable. For a DC input, connect the positive voltage to the L terminal.
- *2. This is the protective earth terminal specified in the safety standards. Always ground this terminal.

**Product discontinuation
Model S8JX-G series**

<300W (5V) Model>

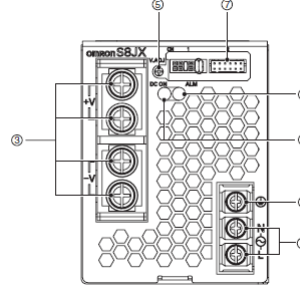


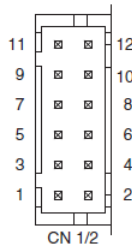
No.	Name	Function
1	DC Output Terminals (+V), (-V)	Connect the load lines to these terminals.
2	AC Input Terminals (L), (N)	Connect the input lines to these terminals. *1
3	Protective Earth Terminal (PE) (⊕)	Connect the ground line to these terminals. *2
4	Input Voltage Selector Terminals	Short-circuit the terminals if the input is 100 to 120 VAC and open the terminals if the input is 200 to 240 VAC.
5	Output Indicator (DC ON: Green)	Lights green while a direct current (DC) output is ON.
6	Output Voltage Adjuster (V. ADJ)	It is possible to increase or decrease the output voltage.
7	Protection-ON Alarm Indicator (ALM: Red)	The red indicator will be lit if the overvoltage or overheat protection circuit is triggered. This indicator will also be lit when overload is detected. *3
8	Selector of Parallel Operation	Set the selector to PARALLEL if the Units are in parallel operation.

- *1. The fuse is located on the (L) side. It is NOT user-replaceable.
- *2. This is the protective earth terminal specified in the safety standards. Always ground this terminal.
- *3. This is not applicable to 24-V and 48-V models.

**Recommended replacement
Model S8JX-P series**

<300W (5V) Model>

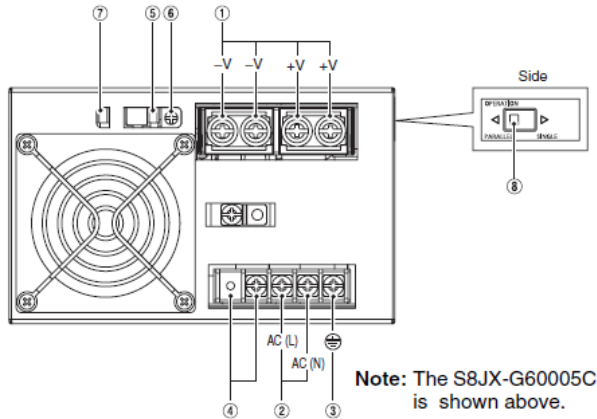


No.	Name	Function
1	Input Terminals (L), (N)	Connect the input lines to these terminals. *1
2	Protective Earth Terminal (PE) (⊕)	Connect the ground line to these terminals. *2
3	DC Output Terminals (-V), (+V)	Connect the load lines to these terminals.
4	Output Indicator (DC ON: Green)	Lights green while a direct current (DC) output is ON.
5	Output Voltage Adjuster (V. ADJ)	It is possible to increase or decrease the output voltage.
6	Alarm indicator (ALM: Red)	This lamp lights up at the time of output voltage deterioration or fan stoppage, and in standby mode by remote control function.
7	Signal output connector *3	<div style="display: flex; align-items: center;">  <div style="margin-left: 10px;"> <p>1: Output voltage monitor terminal (+V)</p> <p>2: Remote sensing terminal (+S)</p> <p>3: Output voltage monitor terminal (-V)</p> <p>4: Remote sensing terminal (-S)</p> <p>5: Current balance terminal (CB)</p> <p>6: Current balance ground terminal (CBG)</p> <p>7: Remote control terminal (+RC)</p> <p>8: Remote control terminal (-RC)</p> <p>9: (Not connected)</p> <p>10: (Not connected)</p> <p>11: Alarm detection output terminal (ALMC) (Collector side)</p> <p>12: Alarm detection output terminal (ALME) (Emitter side)</p> </div> </div>

- *1. The fuse is located on the (L) side. Ensure that the (L) side is set to (+).
- *2. This is a PE (Protective Earth) terminal defined in safety standards and must be grounded.
- *3. Signal input/output connectors are included as standard and implemented in the CN1 before shipment. In this connector, the circuits of 1-2, 3-4, and 7-8 are shorted. Removal of the connector may deteriorate the output stability and accuracy, so be sure to perform the connection of +S and -S terminals. Never connect a load to the output voltage monitor terminal (+V, -V).

**Product discontinuation
Model S8JX-G series**

< 600W (5V) Model >

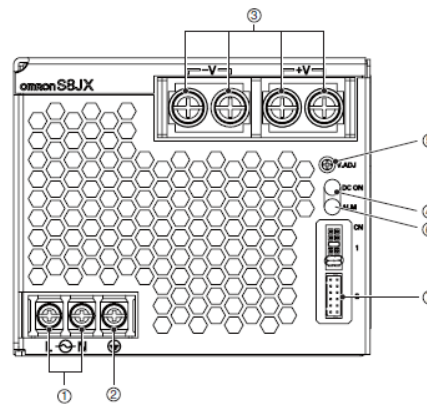


No.	Name	Function
1	DC Output Terminals (+V), (-V)	Connect the load lines to these terminals.
2	AC Input Terminals (L), (N)	Connect the input lines to these terminals. *1
3	Protective Earth Terminal (PE) (⊕)	Connect the ground line to these terminals. *2
4	Input Voltage Selector Terminals	Short-circuit the terminals if the input is 100 to 120 VAC and open the terminals if the input is 200 to 240 VAC.
5	Output Indicator (DC ON: Green)	Lights green while a direct current (DC) output is ON.
6	Output Voltage Adjuster (V. ADJ)	It is possible to increase or decrease the output voltage.
7	Protection-ON Alarm Indicator (ALM: Red)	The red indicator will be lit if the overvoltage or overheat protection circuit is triggered. This indicator will also be lit when overload is detected.
8	Selector of Parallel Operation	Set the selector to PARALLEL if the Units are in parallel operation.

*1. The fuse is located on the (L) side. It is NOT user-replaceable.
*2. This is the protective earth terminal specified in the safety standards. Always ground this terminal.

**Recommended replacement
Model S8JX-P series**

< 600W (5V) Model >

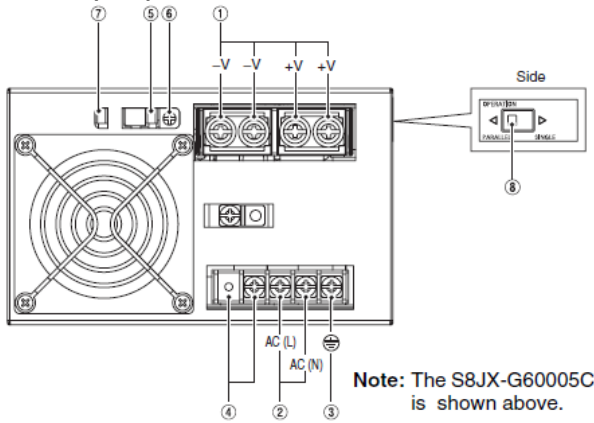


No.	Name	Function
1	Input Terminals (L), (N)	Connect the input lines to these terminals. *1
2	Protective Earth Terminal (PE) (⊕)	Connect the ground line to these terminals. *2
3	DC Output Terminals (-V), (+V)	Connect the load lines to these terminals.
4	Output Indicator (DC ON: Green)	Lights green while a direct current (DC) output is ON.
5	Output Voltage Adjuster (V. ADJ)	It is possible to increase or decrease the output voltage.
6	Alarm indicator (ALM: Red)	This lamp lights up at the time of output voltage deterioration or fan stoppage, and in standby mode by remote control function.
7	Signal output connector *3	1: Output voltage monitor terminal (+V) 2: Remote sensing terminal (+S) 3: Output voltage monitor terminal (-V) 4: Remote sensing terminal (-S) 5: Current balance terminal (CB) 6: Current balance ground terminal (CBG) 7: Remote control terminal (+RC) 8: Remote control terminal (-RC) 9: (Not connected) 10: (Not connected) 11: Alarm detection output terminal (ALMC) (Collector side) 12: Alarm detection output terminal (ALME) (Emitter side)

*1. The fuse is located on the (L) side. Ensure that the (L) side is set to (+).
*2. This is a PE (Protective Earth) terminal defined in safety standards and must be grounded.
*3. Signal input/output connectors are included as standard and implemented in the CN1 before shipment. In this connector, the circuits of 1-2, 3-4, and 7-8 are shorted. Removal of the connector may deteriorate the output stability and accuracy, so be sure to perform the connection of +S and -S terminals. Never connect a load to the output voltage monitor terminal (+V, -V).

**Product discontinuation
Model S8JX-G series**

<600W (12V) Model>

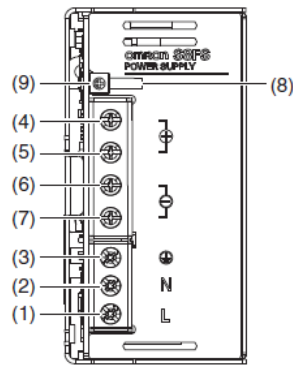


No.	Name	Function
1	DC Output Terminals (+V), (-V)	Connect the load lines to these terminals.
2	AC Input Terminals (L), (N)	Connect the input lines to these terminals. #1
3	Protective Earth Terminal (PE) (⊕)	Connect the ground line to these terminals. #2
4	Input Voltage Selector Terminals	Short-circuit the terminals if the input is 100 to 120 VAC and open the terminals if the input is 200 to 240 VAC.
5	Output Indicator (DC ON: Green)	Lights green while a direct current (DC) output is ON.
6	Output Voltage Adjuster (V. ADJ)	It is possible to increase or decrease the output voltage.
7	Protection-ON Alarm Indicator (ALM: Red)	The red indicator will be lit if the overvoltage or overheat protection circuit is triggered. This indicator will also be lit when overload is detected.
8	Selector of Parallel Operation	Set the selector to PARALLEL if the Units are in parallel operation.

*1. The fuse is located on the (L) side. It is NOT user-replaceable.
*2. This is the protective earth terminal specified in the safety standards. Always ground this terminal.

**Recommended replacement
Model S8FS-G series**

<600W (12V,24V,48V) Models>



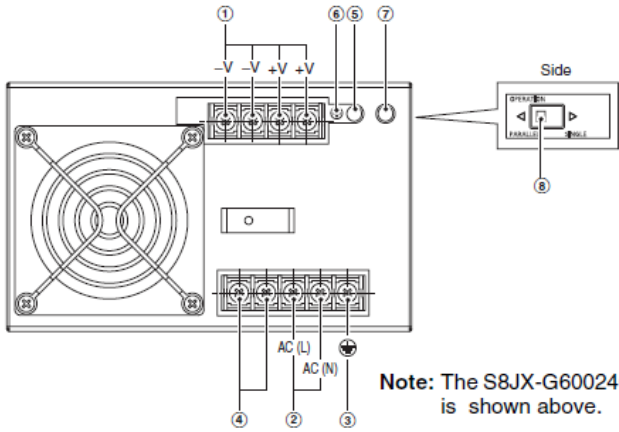
No.	Terminal name	Name	Function
(1)	L	Input terminals	Connect the input lines to these terminals. #1
(2)	N		
(3)	PE		
(4)	+V1	DC output terminals	Connect the load lines to these terminals.
(5)	+V2		
(6)	-V1		
(7)	-V2		
(8)	---	Output indicator (DC ON: green)	Lights while a direct current (DC) output is ON.
(9)	---	Output voltage adjuster (V.ADJ)	Use to adjust the voltage.
(10)	+RC	Remote control terminals	Wire for remote control.
(11)	-RC		
(12)	---	Parallel operation switch	To operate in parallel, set the switch to the "PARALLEL" side.

*1. The fuse is located on the (L) side. It is not user-replaceable. For a DC input, connect the positive voltage to the L terminal.
*2. This is the protective earth terminal specified in the safety standards. Always ground this terminal.

**Product discontinuation
Model S8JX-G series**

**Recommended replacement
Model S8FS-G series**

<600W (24V,48V) Models>



Note: The S8JX-G60024C is shown above.

No.	Name	Function
1	DC Output Terminals (+V), (-V)	Connect the load lines to these terminals.
2	AC Input Terminals (L), (N)	Connect the input lines to these terminals. *1
3	Protective Earth Terminal (PE) (⊕)	Connect the ground line to these terminals. *2
4	Input Voltage Selector Terminals	Short-circuit the terminals if the input is 100 to 120 VAC and open the terminals if the input is 200 to 240 VAC.
5	Output Indicator (DC ON: Green)	Lights green while a direct current (DC) output is ON.
6	Output Voltage Adjuster (V. ADJ)	It is possible to increase or decrease the output voltage.
7	Protection-ON Alarm Indicator (ALM: Red)	The red indicator will be lit if the overvoltage or overheat protection circuit is triggered. This indicator will also be lit when overload is detected.
8	Selector of Parallel Operation	Set the selector to PARALLEL if the Units are in parallel operation.

*1. The fuse is located on the (L) side. It is NOT user-replaceable.
*2. This is the protective earth terminal specified in the safety standards. Always ground this terminal.

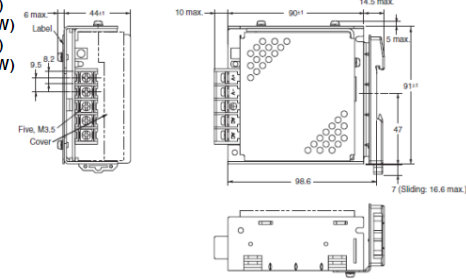
Dimensions / Mounting Dimensions

Product discontinuation Model S8JX-G series

<15W,35W Models>

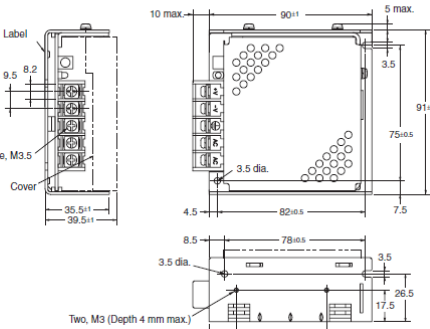
DIN Rail mounting

- S8JX-G015□□D (15 W)
- S8JX-G015□□CD (15 W)
- S8JX-G035□□D (35 W)
- S8JX-G035□□CD (35 W)



Side mounting / Bottom mounting/ Front mounting (common)

- S8JX-G015□□C (15 W)
- S8JX-G015□□C (15 W)
- S8JX-G035□□C (35 W)
- S8JX-G035□□C (35 W)



Side mounting / Bottom mounting

Panel mounting holes dimensions

	Surface screw mounting
Side Mounting	
Bottom Mounting	

Front mounting S82Y-J00F Front-mounting Bracket

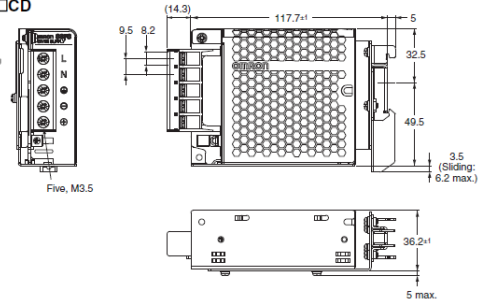
Dimensions	Mounting dimensions

Recommended replacement Model S8FS-G series

<15W,30W Models>

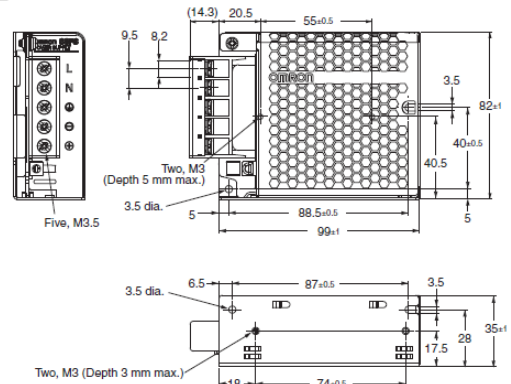
DIN Rail mounting

- S8FS-G015□□CD
- S8FS-G030□□CD



Side mounting / Bottom mounting

- S8FS-G015□□C
- S8FS-G030□□C



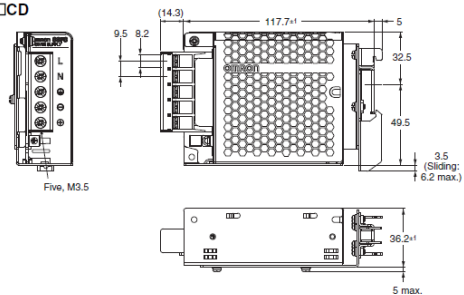
Panel mounting holes dimensions

	Using the mounting holes in the Power Supply	Using the screw holes in the Power Supply
Side Mounting		
Bottom Mounting		

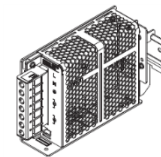
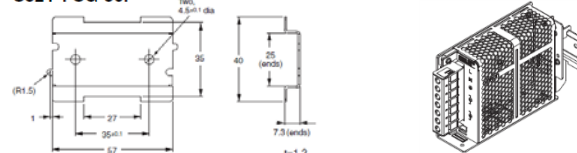
Front mounting

Available for front-mounting by the combination of DIN Rail-mounting type and front-mounting bracket (Model S82Y-FSG-30F).

- S8FS-G015□□CD
- S8FS-G030□□CD



S82Y-FSG-30F

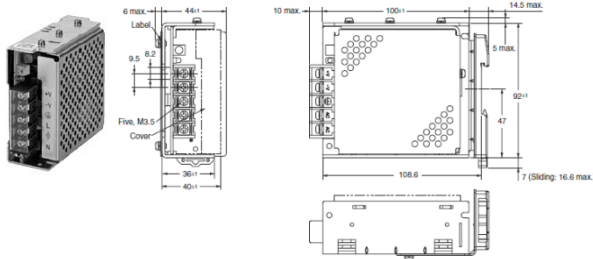


Product discontinuation
Model S8JX-G series

<50W Model>

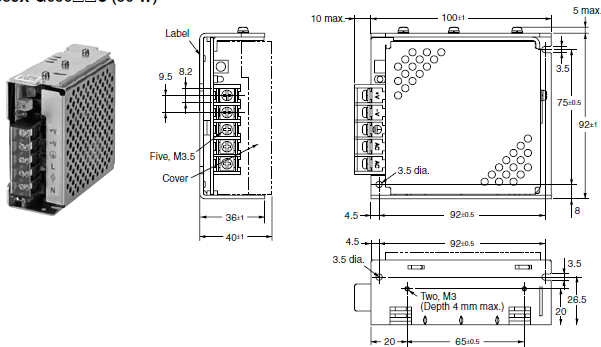
DIN Rail mounting

S8JX-G050□□D (50 W)
S8JX-G050□□CD (50 W)



**Side mounting / Bottom mounting/
Front mounting (common)**

S8JX-G050□□ (50 W)
S8JX-G050□□C (50 W)



Side mounting / Bottom mounting

Panel mounting holes dimensions

	Surface screw mounting
Side Mounting	
Bottom Mounting	

Front mounting

**S82Y-J00F Front-mounting
Bracket**

Dimensions	Mounting dimensions

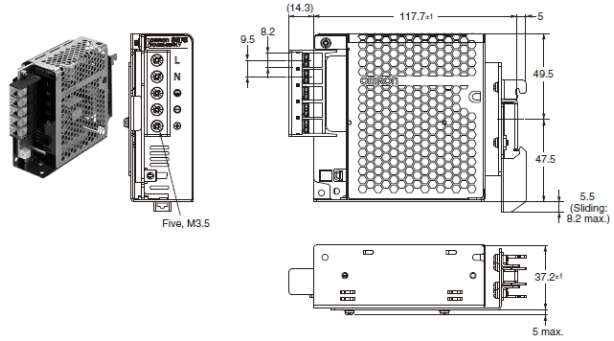
t = 1.0
Material: Stainless steel

Recommended replacement
Model S8FS-G series

<50W Model>

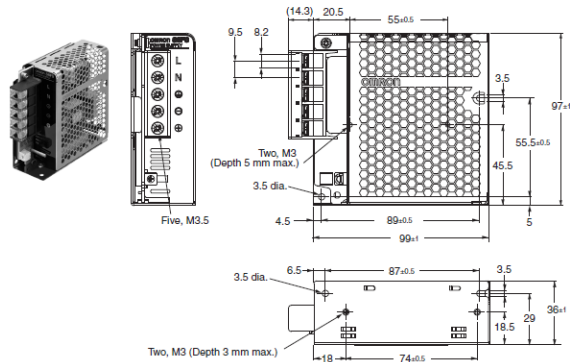
DIN Rail mounting

S8FS-G050□□CD



Side mounting / Bottom mounting

S8FS-G050□□C



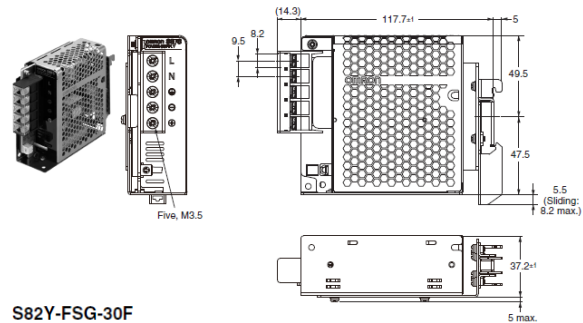
Panel mounting holes dimensions

	Using the mounting holes in the Power Supply	Using the screw holes in the Power Supply
Side Mounting		
Bottom Mounting		

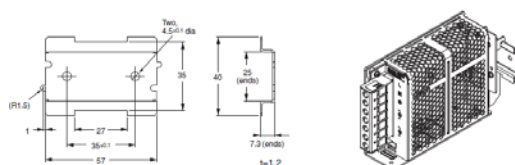
Front mounting

Available for front-mounting by the combination of
DIN Rail-mounting type and front-mounting bracket
(Model S82Y-FSG-30F).

S8FS-G050□□CD



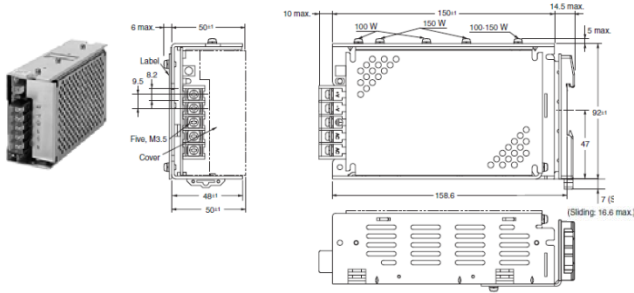
S82Y-FSG-30F



Product discontinuation
Model S8JX-G series

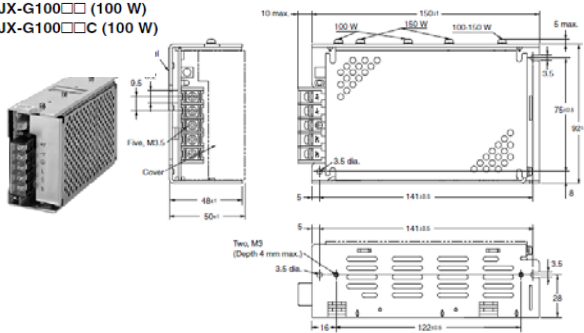
<100W Model>

DIN Rail mounting
S8JX-G100□□D (100 W)
S8JX-G100□□CD (100 W)



**Side mounting / Bottom mounting/
Front mounting (common)**

S8JX-G100□□ (100 W)
S8JX-G100□□C (100 W)



Side mounting / Bottom mounting

Panel mounting holes dimensions

	Surface screw mounting
Side Mounting	
Bottom Mounting	

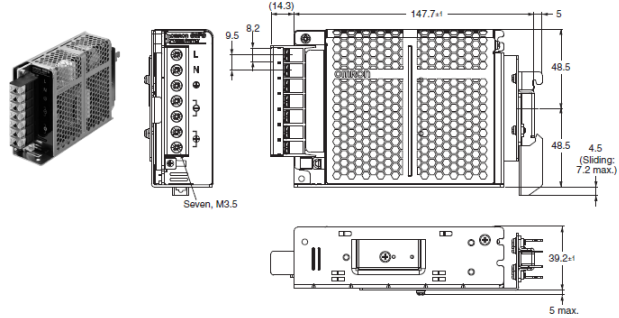
Front mounting
**S82Y-J00F Front-mounting
Bracket**

Dimensions	Mounting dimensions
t = 1.0 Material: Stainless steel	

Recommended replacement
Model S8FS-G series

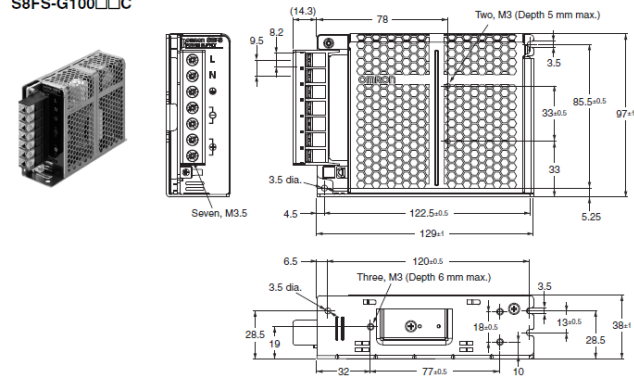
<100W Model>

DIN Rail mounting
S8FS-G100□□CD



Side mounting / Bottom mounting

S8FS-G100□□C



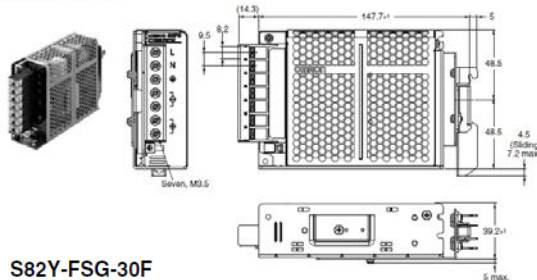
Panel mounting holes dimensions

	Using the mounting holes in the Power Supply	Using the screw holes in the Power Supply
Side Mounting		
Bottom Mounting		

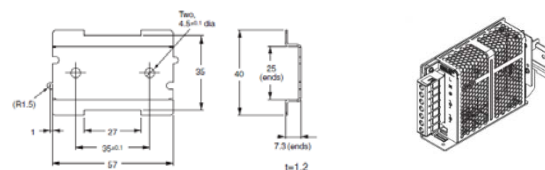
Front mounting

Available for front-mounting by the combination of
DIN Rail-mounting type and front-mounting bracket
(Model S82Y-FSG-30F).

S8FS-G100□□CD



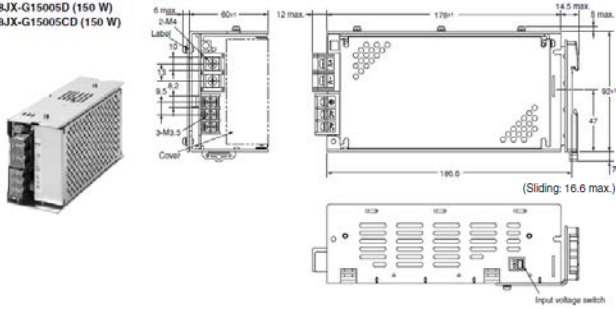
S82Y-FSG-30F



Product discontinuation
Model S8JX-G series

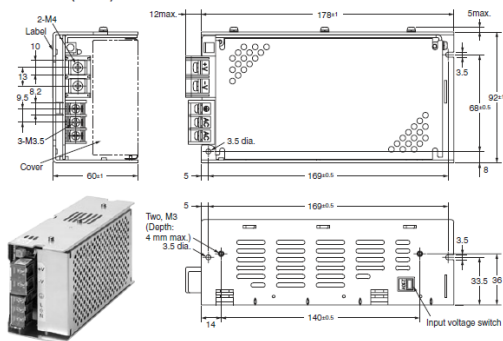
<150W (5V) Model>
DIN Rail mounting

S8JX-G15005D (150 W)
S8JX-G15005CD (150 W)



**Side mounting / Bottom mounting/
Front mounting (common)**

S8JX-G15005 (150 W)
S8JX-G15005C (150 W)



Side mounting / Bottom mounting

Panel mounting holes dimensions

	Surface screw mounting
Side Mounting	
Bottom Mounting	

Front mounting

**S82Y-J00F Front-mounting
Bracket**

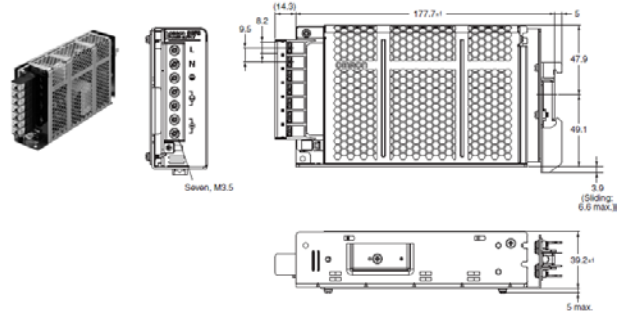
Dimensions	Mounting dimensions

t = 1.0
Material: Stainless steel

Recommended replacement
Model S8FS-G series

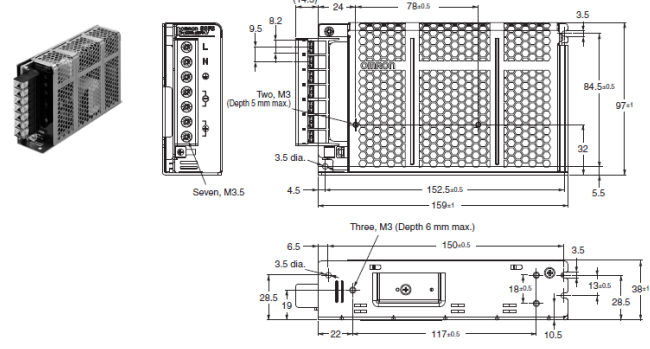
<150W (5V) Model>
DIN Rail mounting

S8FS-G150□□CD



Side mounting / Bottom mounting

S8FS-G150□□C



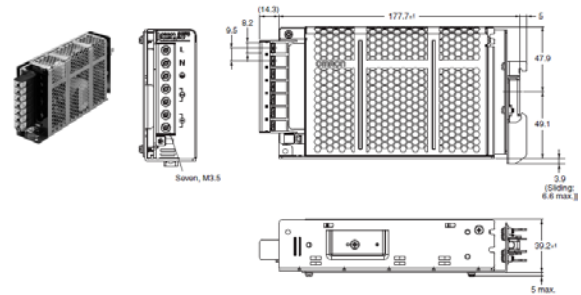
Panel mounting holes dimensions

	Using the mounting holes in the Power Supply	Using the screw holes in the Power Supply
Side Mounting		
Bottom Mounting		

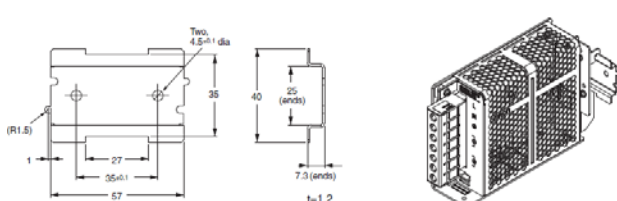
Front mounting

Available for front-mounting by the combination of DIN Rail-mounting type and front-mounting bracket (Model S82Y-FSG-30F).

S8FS-G150□□CD



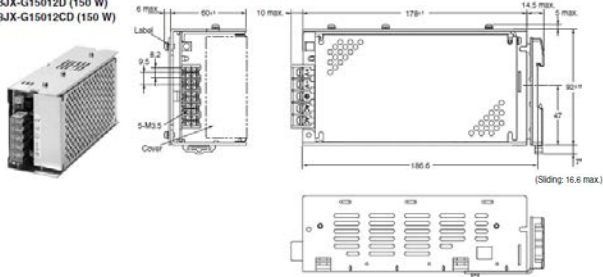
S82Y-FSG-30F



Product discontinuation
Model S8JX-G series

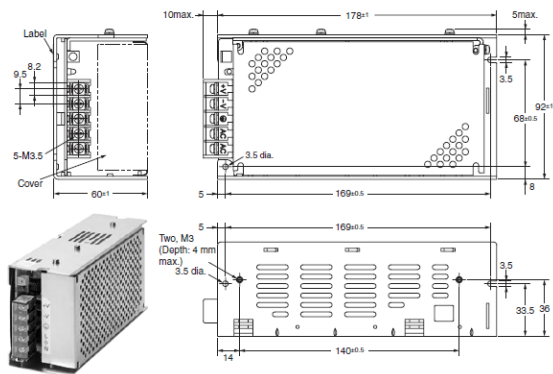
<150W (12V) Model>
DIN Rail mounting

S8JX-G15012D (150 W)
S8JX-G15012CD (150 W)



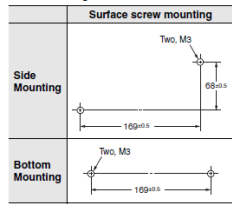
**Side mounting / Bottom mounting/
Front mounting (common)**

S8JX-G15012 (150 W)
S8JX-G15012C (150 W)



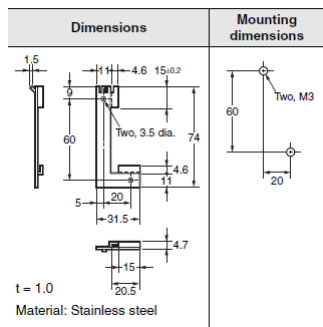
Side mounting / Bottom mounting

Panel mounting holes dimensions



Front mounting

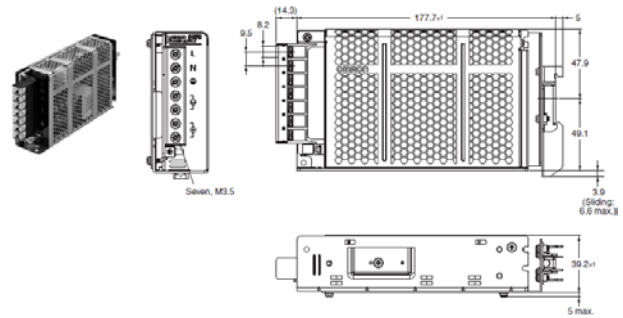
**S82Y-J00F Front-mounting
Bracket**



Recommended replacement
Model S8FS-G series

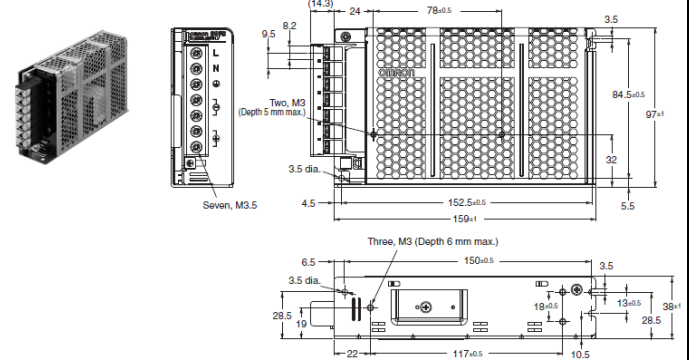
<150W (12V) Model>
DIN Rail mounting

S8FS-G150□□CD

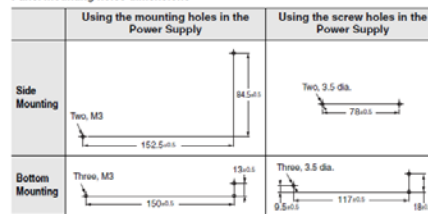


Side mounting / Bottom mounting

S8FS-G150□□C



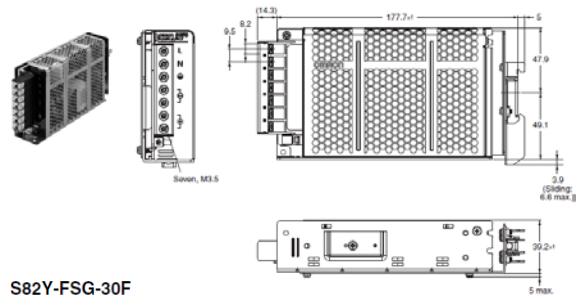
Panel mounting holes dimensions



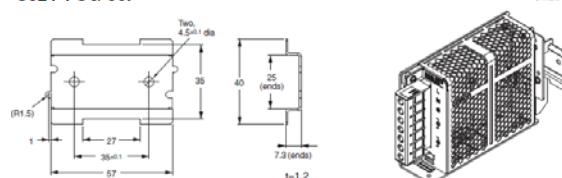
Front mounting

Available for front-mounting by the combination of DIN Rail-mounting type and front-mounting bracket (Model S82Y-FSG-30F).

S8FS-G150□□CD



S82Y-FSG-30F

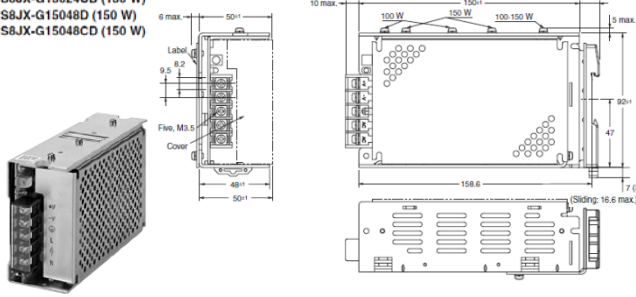


Product discontinuation
Model S8JX-G series

<150W (24V,48V) Models>

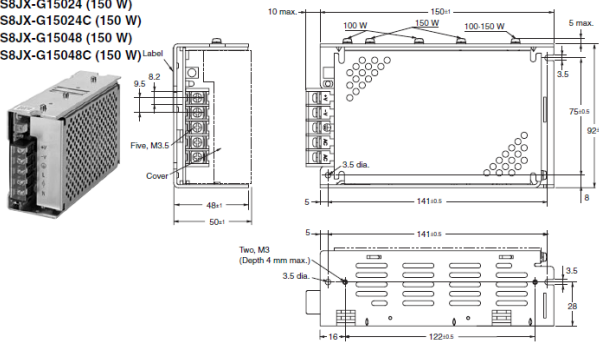
DIN Rail mounting

- S8JX-G15024D (150 W)
- S8JX-G15024CD (150 W)
- S8JX-G15048D (150 W)
- S8JX-G15048CD (150 W)



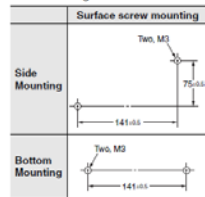
**Side mounting / Bottom mounting/
Front mounting (common)**

- S8JX-G15024 (150 W)
- S8JX-G15024C (150 W)
- S8JX-G15048 (150 W)
- S8JX-G15048C (150 W)



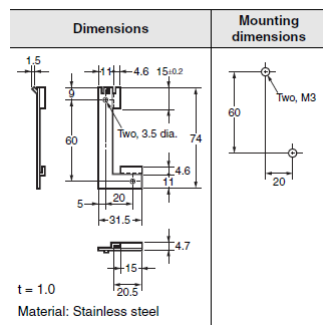
Side mounting / Bottom mounting

Panel mounting holes dimensions



Front mounting

**S82Y-J00F Front-mounting
Bracket**

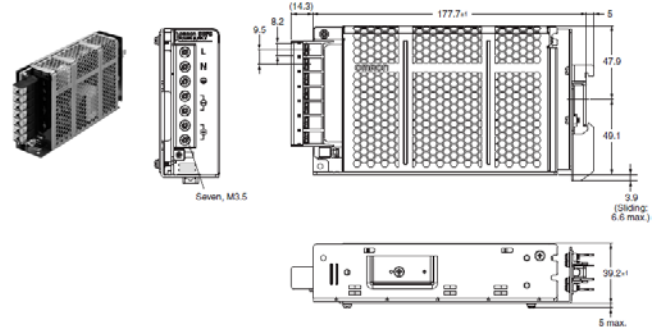


Recommended replacement
Model S8FS-G series

<150W (24V,48V) Models>

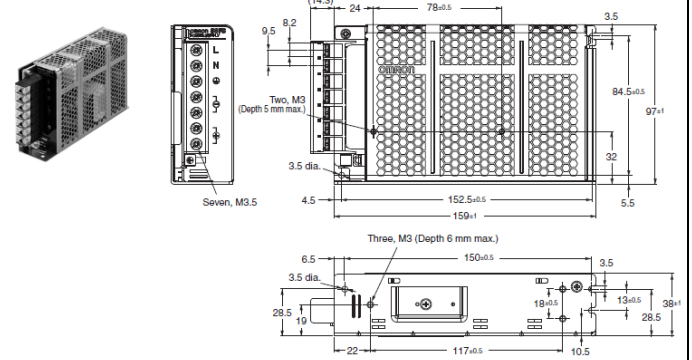
DIN Rail mounting

S8FS-G150□□CD

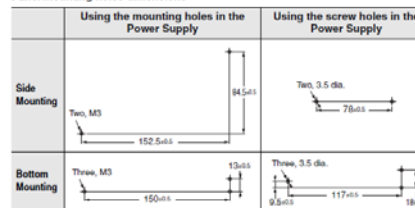


Side mounting / Bottom mounting

S8FS-G150□□C



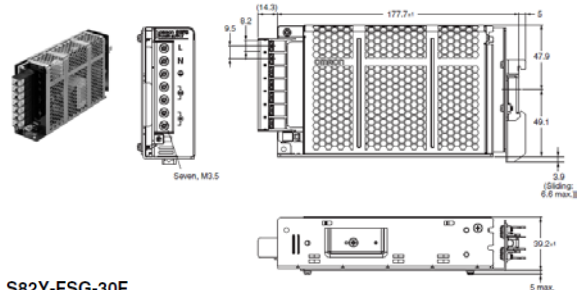
Panel mounting holes dimensions



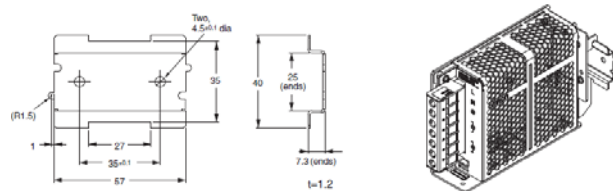
Front mounting

Available for front-mounting by the combination of DIN Rail-mounting type and front-mounting bracket (Model S82Y-FSG-30F).

S8FS-G150□□CD



S82Y-FSG-30F

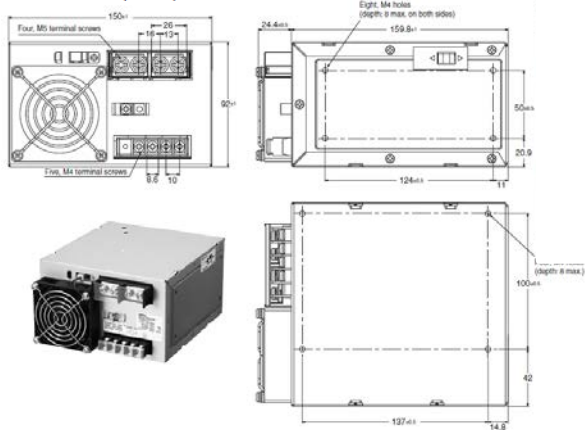


Product discontinuation
Model S8JX-G series

< 600W (5V) Model >

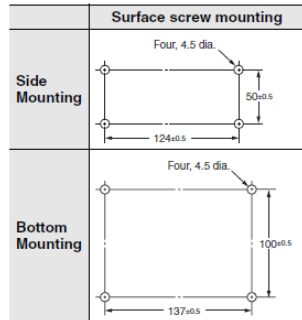
Side mounting / Bottom mounting/
Front mounting (common)

S8JX-G60005□ (600 W)



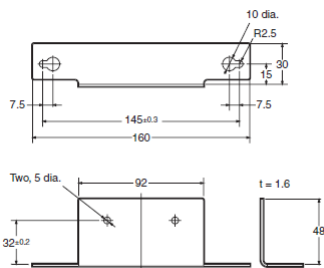
Side mounting / Bottom mounting

Panel mounting holes dimensions

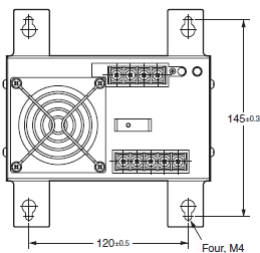


Front mounting

Front-mounting Bracket (S82Y-J30F)



Note: Mounting Brackets are provided in a set, one for the right side and one for the left side.

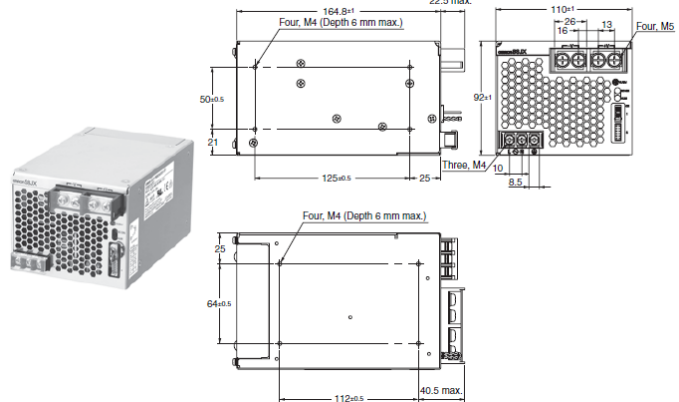


Recommended replacement
Model S8JX-P series

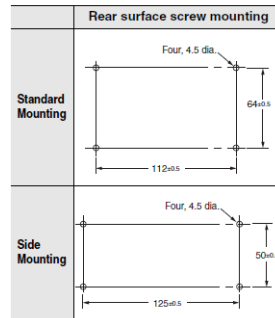
< 600W (5V) Model >

Bottom mounting

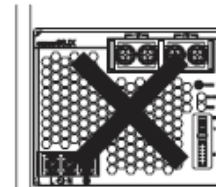
S8JX-P600□□N (600 W)



Panel mounting holes dimensions

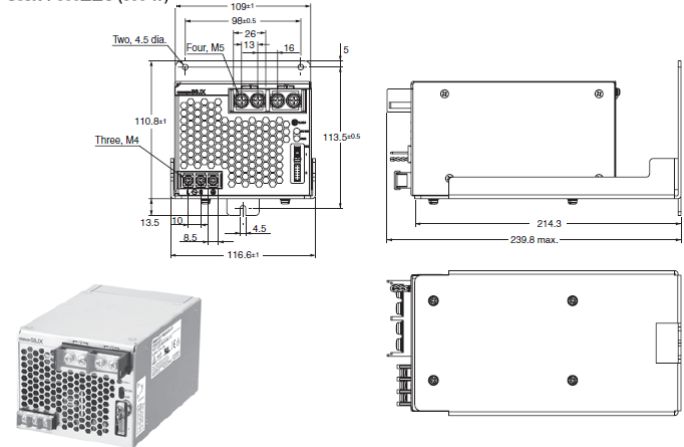


The following mounting methods can not be used.

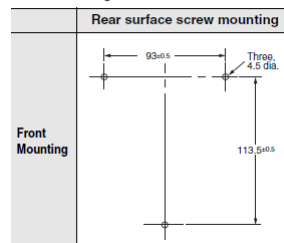


Front mounting

S8JX-P600□□C (600 W)



Panel mounting holes dimensions

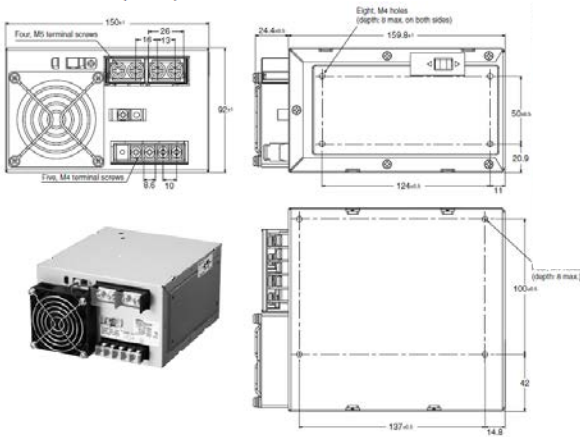


Product discontinuation
Model S8JX-G series

<600W (12V) Model>

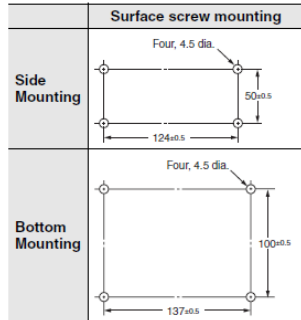
Side mounting / Bottom mounting/
Front mounting (common)

S8JX-G60012□ (600 W)



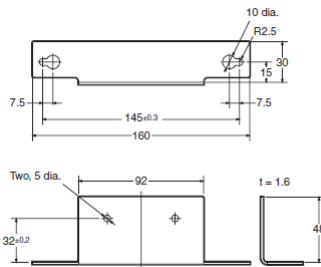
Side mounting / Bottom mounting

Panel mounting holes dimensions

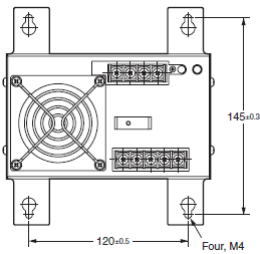


Front mounting

Front-mounting Bracket (S82Y-J30F)



Note: Mounting Brackets are provided in a set, one for the right side and one for the left side.

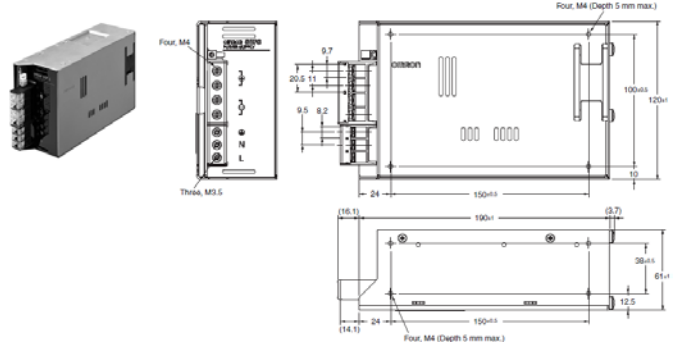


Recommended replacement
Model S8FS-G series

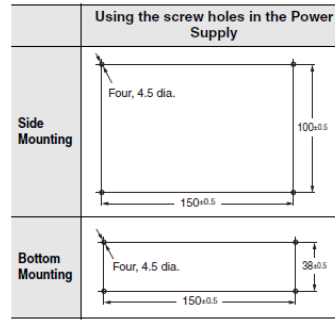
<600W (12V) Model>

Side mounting / Bottom mounting

S8FS-G600□□C



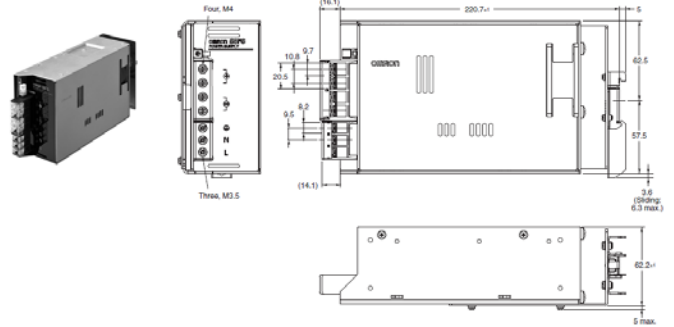
Panel mounting holes dimensions



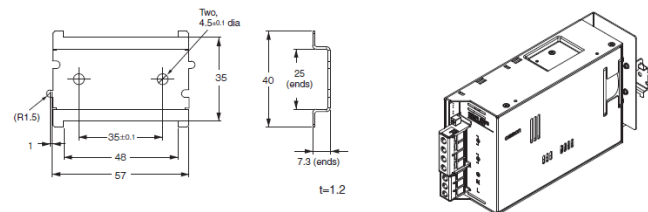
Front mounting

Available for front-mounting by the combination of DIN Rail-mounting type and front-mounting bracket (Model S82Y-FSG-60F).

S8FS-G600□□C



S82Y-FSG-60F

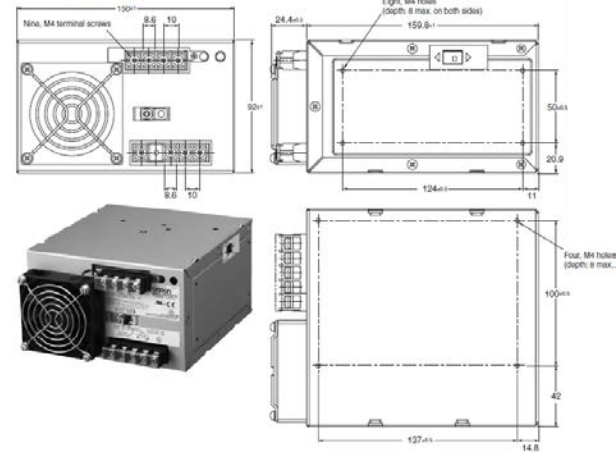


Product discontinuation
Model S8JX-G series

<600W (24V,48V) Models>

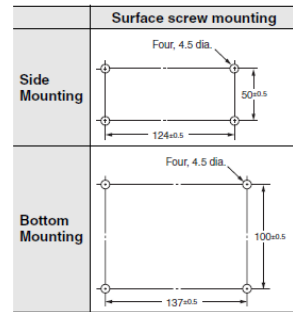
Side mounting / Bottom mounting/
Front mounting (common)

S8JX-G60024C (600 W)
S8JX-G60048C (600 W)



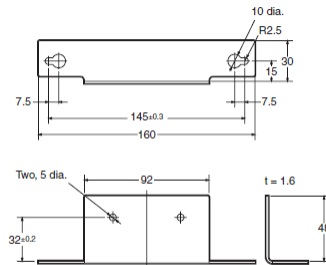
Side mounting / Bottom mounting

Panel mounting holes dimensions

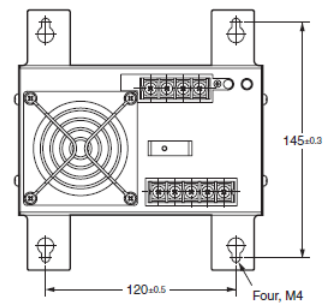


Front mounting

Front-mounting Bracket (S82Y-J30F)



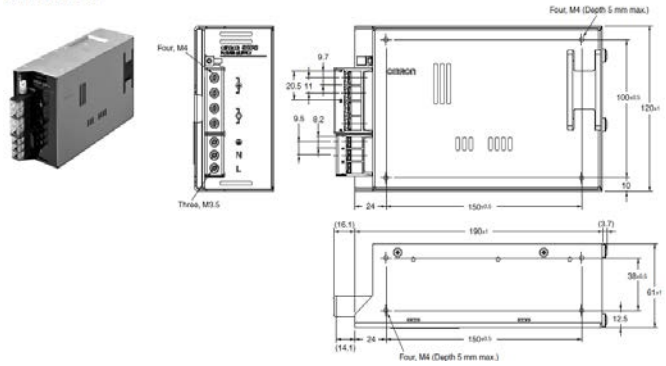
Note: Mounting Brackets are provided in a set, one for the right side and one for the left side.



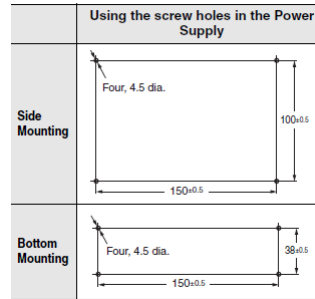
Recommended replacement
Model S8FS-G series

<600W (24V,48V) Models>

Side mounting / Bottom mounting
S8FS-G600□□C



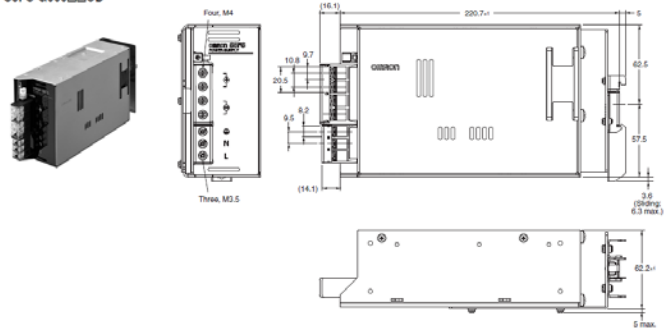
Panel mounting holes dimensions



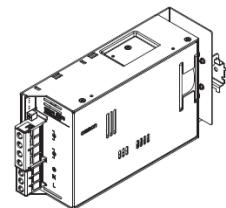
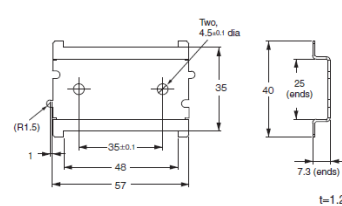
Front mounting

Available for front-mounting by the combination of
DIN Rail-mounting type and front-mounting bracket
(Model S82Y-FSG-60F).

S8FS-G600□□CD



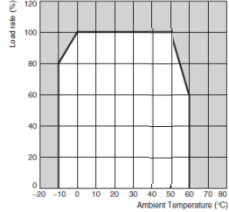
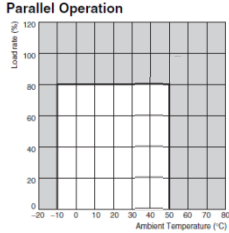
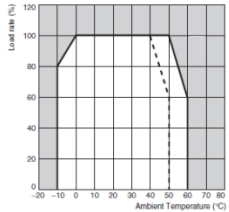
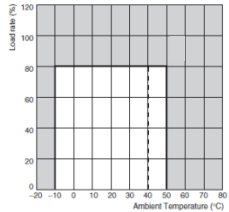
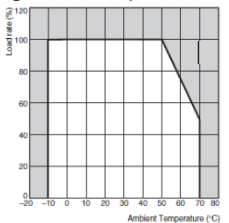
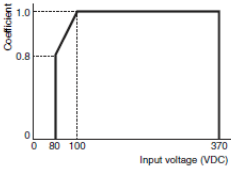
S82Y-FSG-60F



Characteristics

Item	Product discontinuation Model S8JX-G series	Recommended replacement Model S8FS-G series
Input voltage	15W,35W,100W Models 150W (12V,24V,48V) Models 100 to 240VAC (85 to 264VAC) free input 80 to 370VDC 150W (5V) Model 300W (12V,24V,48V) Models 600W (12V,24V,48V) Models 100 to 120VAC (85 to 132VAC)/ 200 to 240VAC (170 to 264VAC) switching type	15W,30W,50W,100W,150W Models 300W (12V,24V,48V) Models 100 to 240VAC (85 to 264VAC) free input 120 to 370VDC 600W (12V,24V,48V) Models 100 to 240VAC (85 to 264VAC) free input 120 to 350VDC
Inrush current	15W,35W,50W,100W,150W Models 20A max. (at 100VAC input) 40A max. (at 200VAC input) 300W (12V,24V,48V) Models 25A max. (at 100VAC input) 50A max. (at 200VAC input) 600W (12V,24V,48V) Models 30A max. (at 100VAC input) 60A max. (at 200VAC input) *for cold start at 25°C	15W,30W,50W,100W,150W Models 300W (12V,24V,48V) Models 600W (12V,24V,48V) Models 14A typ. (at 100VAC input) 28A typ. (at 200VAC input) * for cold start at 25°C
Start up time	15W,35W,50W,100W,150W Models 600W (12V,24V,48V) Models 500ms max. 300W (12V,24V,48V) Models 650ms max.	15W,30W,50W,100W,150W Models 300W (12V,24V,48V) Models 600W (12V,24V,48V) Models 1000ms max.
Output hold time	15W,35W,50W,100W,150W Models 300W (12V,24V,48V) Models 600W (12V,24V,48V) Models 20ms min.	15W,30W,50W,100W,150W Models 8ms min. (at 100VAC input) 16ms min. (at 200VAC input) 300W (12V,24V,48V) Models 600W (12V,24V,48V) Models 16ms min.
Overload protection	15W,35W,50W,100W Models 150W (12V,24V,48V) Models 105 to 175% of rated load current, voltage drop, intermittent, automatic reset 150W (5V) Model 105 to 175% of rated load current, voltage drop, automatic reset 300W (24V,48V) Models 105 to 175% of rated load current, voltage drop, intermittent, automatic reset 300W (12V) Model 600W (12V,24V,48V) Models 105 to 175% of rated load current, inverted L voltage drop, the circuit will be shut OFF when the overload exceeds 5 s.	15W,30W,50W,100W,150W Models 300W (12V,24V,48V) Models 105 to 160% of rated load current, voltage drop, intermittent, automatic reset 600W (12V,24V,48V) Models 105 to 160% of rated load current, inverted L voltage drop, automatic reset

Item	Product discontinuation Model S8JX-G series	Recommended replacement Model S8FS-G series
Parallel operation	15W,35W,50W,100W,150W Models No 300W (12V,24V,48V) Models 600W (12V,24V,48V) Models Yes (up to 5 units)	15W,30W,50W,100W,150W Models 300W (12V,24V,48V) Models 600W (12V,48V) Models No 600W (24V) Model Yes (up to 5 units, (Model with parallel operation option) only).
Cooling method	15W,35W,50W,100W,150W Models 300W (24V,48V) Models Natural cooling 300W (12V),600W (12V,24V,48V) Models Forced-air cooling by a built-in fan	15W,30W,50W,100W,150W Models Natural cooling 300W (12V,24V,48V) Models 600W (12V,24V,48V) Models Forced-air cooling by a built-in fan
Derating Curves	<p>15W,35W,50W,100W,150W Models</p> <div style="display: flex; justify-content: space-around;"> <div data-bbox="391 661 609 892"> <p>Open-frame Power Supplies</p> </div> <div data-bbox="625 661 852 892"> <p>Covered Power Supplies</p> </div> </div> <p>Note: If there is a derating problem, use forced air-cooling. For Customers Using a DC Input: When using an input voltage of less than 100 VDC, reduce the load calculated with the above derating curve by at least the following coefficients: 35-W and 100-W (5-V or 12-V output) models: 0.8 50-W/150-W models: 0.85 (DC power cannot be input only to the S8JX-G1500S(C)) 15-W and 100-W (24-V or 48-V output): 0.9</p> <p>300W (12V,24V,48V) Models 600W (24V,48V) Models</p> <div style="display: flex; justify-content: space-around;"> <div data-bbox="391 1071 609 1302"> <p>Single Unit Operation</p> </div> <div data-bbox="625 1071 852 1302"> <p>Parallel Operation</p> </div> </div> <p>— Solid line: Front-mounting, Bottom-mounting, DIN Rail mounting, Side mounting (300W 24V, 12V, 600W 24V, 48V Models) - - - Dotted line: Side mounting (300W 24V, 48V Models)</p> <p>600W (12V) Model</p> <div style="display: flex; justify-content: space-around;"> <div data-bbox="391 1449 609 1680"> <p>Single Unit Operation</p> </div> <div data-bbox="625 1449 852 1680"> <p>Parallel Operation</p> </div> </div>	<p>15W,30W,50W Models 300W (12V,24V,48V) Models 600W (12V,24V,48V) Models</p> <div style="text-align: center;"> </div> <p>Note: At less than 100 VAC, derate the load at 1.3%/V.</p> <p>100W,150W Models</p> <div style="text-align: center;"> </div> <p>Note: At less than 100 VAC, derate the load at 1.3%/V.</p> <p>600W (24V) Model With parallel operation function</p> <p>Parallel Operation For Models with Parallel Operation Option</p> <div style="text-align: center;"> </div> <p>Note: At less than 100 VAC, derate the load at 1.3%/V.</p>

Item	Product discontinuation Model S8JX-G series	Recommended replacement Model S8JX-P series
Input voltage	300W (5V),600W (5V) Models 100 to 120 VAC (85 to 132 VAC) 200 to 240 VAC (170 to 264 VAC) switching type	300W (5V),600W (5V) Models 100 to 240VAC (85 to 264VAC) free input 120 to 370 VDC
Inrush current	300W (5V) Model 25A max. (at 100VAC input) 50A max. (at 200VAC input) 600W (5V) Model 30A max. (at 100VAC input) 60A max. (at 200VAC input) *for cold start at 25°C	300W (5V),600W (5V) Models 17.5A typ. (at 100VAC input) 35A typ. (at 200VAC input) *for cold start at 25°C
Start up time	300W (5V) Model 650ms max. 600W (5V) Model 500ms max.	300W (5V),600W (5V) Models 1000ms max.
Output hold time	300W (5V),600W (5V) Models 20ms min.	300W (5V),600W (5V) Models 20ms min.
Overload protection	300W (5V),600W (5V) Models 105 to 175% of rated load current, inverted L voltage drop, the circuit will be shut OFF when the overload exceeds 5 s.	300W (5V),600W (5V) Models 105 to 160% of rated load current, voltage drop, intermittent, automatic reset
Parallel operation	300W (5V),600W (5V) Models Yes (up to 5 units)	300W (5V),600W (5V) Models Yes (up to 5 units)
Cooling method	300W (5V),600W (5V) Models Forced-air cooling by a built-in fan	300W (5V),600W (5V) Models Forced-air cooling by a built-in fan
Derating Curves	<p>300W (5V) Model</p> <p>Single Unit Operation</p>  <p>Parallel Operation</p>  <p>600W (5V) Model</p> <p>Single Unit Operation</p>  <p>Parallel Operation</p> 	<p>300W (5V), 600W (5V) Models</p> <p>Single Unit Operation, Parallel Operation</p>  <p>Note: (For Customers using 300-/600-W type for a DC input) Reduce the load calculated with the above derating curve by at least the following coefficients.</p> <p>S8JX-P 300-/600-W Models</p> 

Specifications and prices in this product news are as of the issue date and are subject to change without notice. Only main changes in specifications are described in this document. Please be sure to read the relevant catalogs, datasheets, product specifications, instructions, and manuals for precautions and necessary information when using products.