

Würth Elektronik eiSos GmbH & Co. KG

EMC & Inductive Solutions

Max-Eyth-Straße 1 · 74638 Waldenburg · Germany

Tel. +49 (0) 79 42 945-0 · Fax +49 (0) 79 42 945-400

eiSos@we-online.de · www.we-online.de



Product / Process Change Notification (PCN)

- Major change
 Minor change

PCN #: PCN_SwTASV_20180626

Affected Series: 4301x2xxx8x6

PCN Date: March 26, 2018

Effective Date: June 26, 2018

Change Category:

- Equipment / Location
 General Data
 Material
 Process
 Product Design
 Shipping / Packaging
 Supplier

Contact: Product Management

Phone: +49 (0) 7942 - 945 5001

Fax: +49 (0) 7942 - 945 5179

E-Mail: pcn.eican@we-online.com

Data Sheet Change:

Yes No

Attachment:

Yes No

DESCRIPTION AND PURPOSE OF CHANGE:

As a datasheet information amendment, Würth Elektronik will update a new parameter in the specification and correct one dimension mismatch.

There will be no change in form, fit, function, quality or reliability of the product.

Würth Elektronik eiSos GmbH & Co. KG

EMC & Inductive Solutions

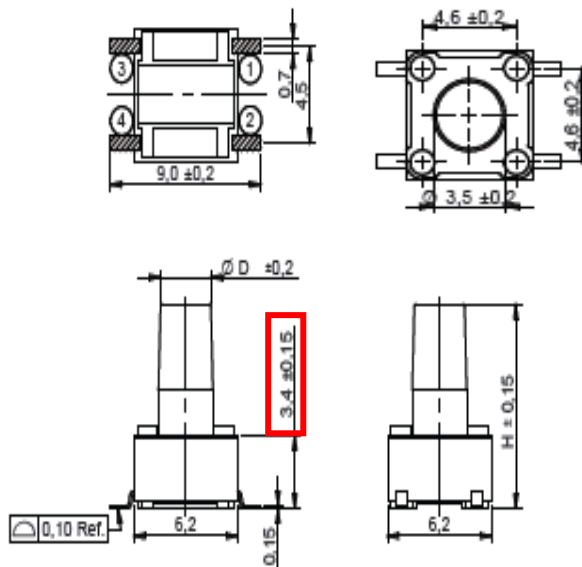
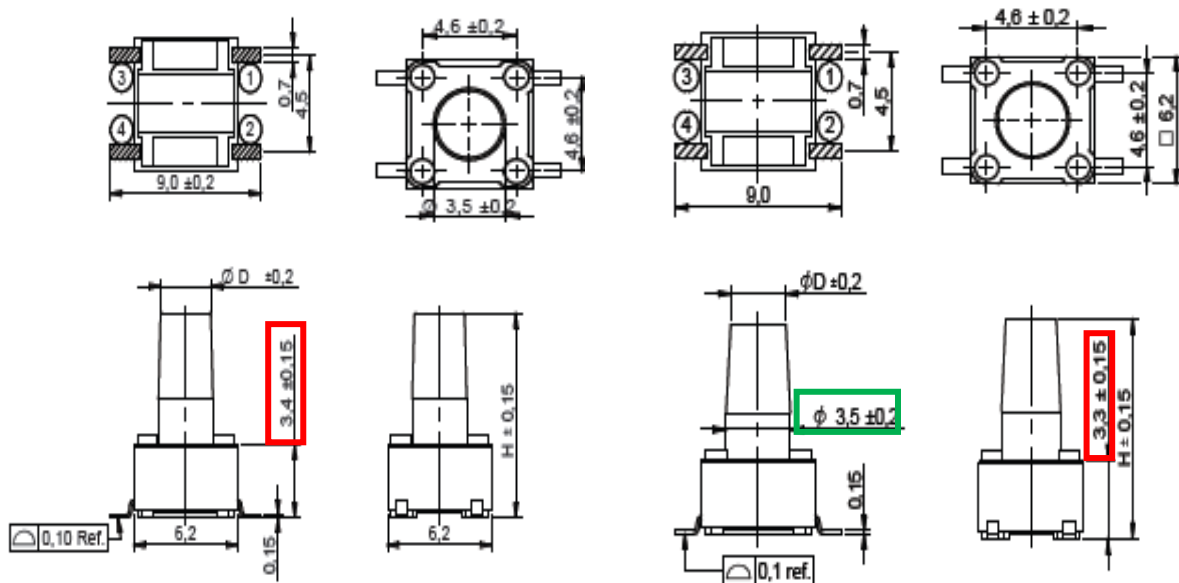
Max-Eyth-Straße 1 · 74638 Waldenburg · Germany

Tel. +49 (0) 79 42 945-0 · Fax +49 (0) 79 42 945-400

eiSos@we-online.de · www.we-online.de

**DETAIL OF CHANGE:**

1. Adding the new parameter 3.5 ± 0.2 for the max. width of actuator.
2. Correcting the height of the frame because of a datasheet mismatch from 3.4 ± 0.15 to 3.3 ± 0.15 .

BEFORE**AFTER**

The dimensions D and H shown in the drawings you will find in a table at the product datasheet.

RELIABILITY / QUALIFICATION SUMMARY:

Process / Product approval is according to internal requirements released by the Total Quality Department and the Product Management Department.