



(2.54 mm) .100"

BBS, BBL, BHS, BBD, BDL SERIES

MACHINED BOARD STACKING STRIPS

Mates with:

SS, SD, HSS, SL, SDL, ESS, ESD

FEATURES

- Low-profile design achieves (3.89 mm) .153" board spacings when mated with SL Series.
- Approach the reliability of a permanent connection with the flexibility of a separable connection.

SPECIFICATIONS

For complete specifications see www.samtec.com?BBS, www.samtec.com?BBL, www.samtec.com?BHS, www.samtec.com?BBD or www.samtec.com?BDL

Insulator Material:
 Black Glass Filled Polyester (BBS, BBD, BBL)
 Black High Temp Nylon (BDL)
 Black Liquid Crystal Polymer (BHS)

Temperature Range:
 -55 °C to +125 °C

Terminal Material:
 Phosphor Bronze or Brass

Plating:
 Au or Sn over 50 μ" (1.27 μm) Ni

RoHS Compliant:
 Yes

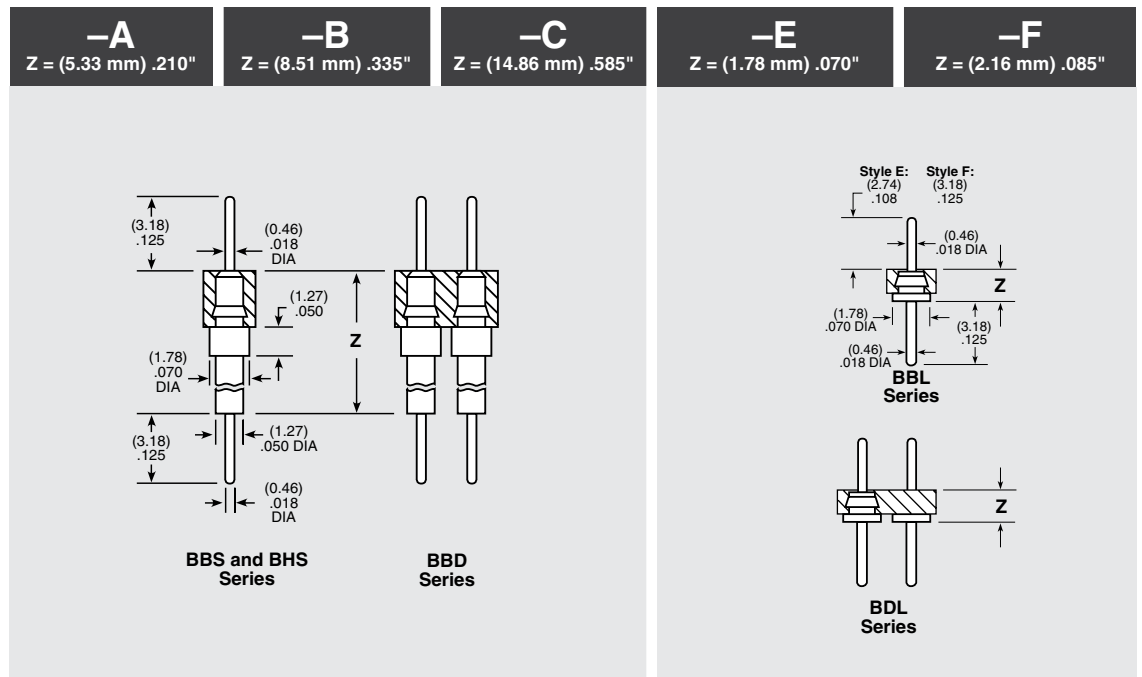
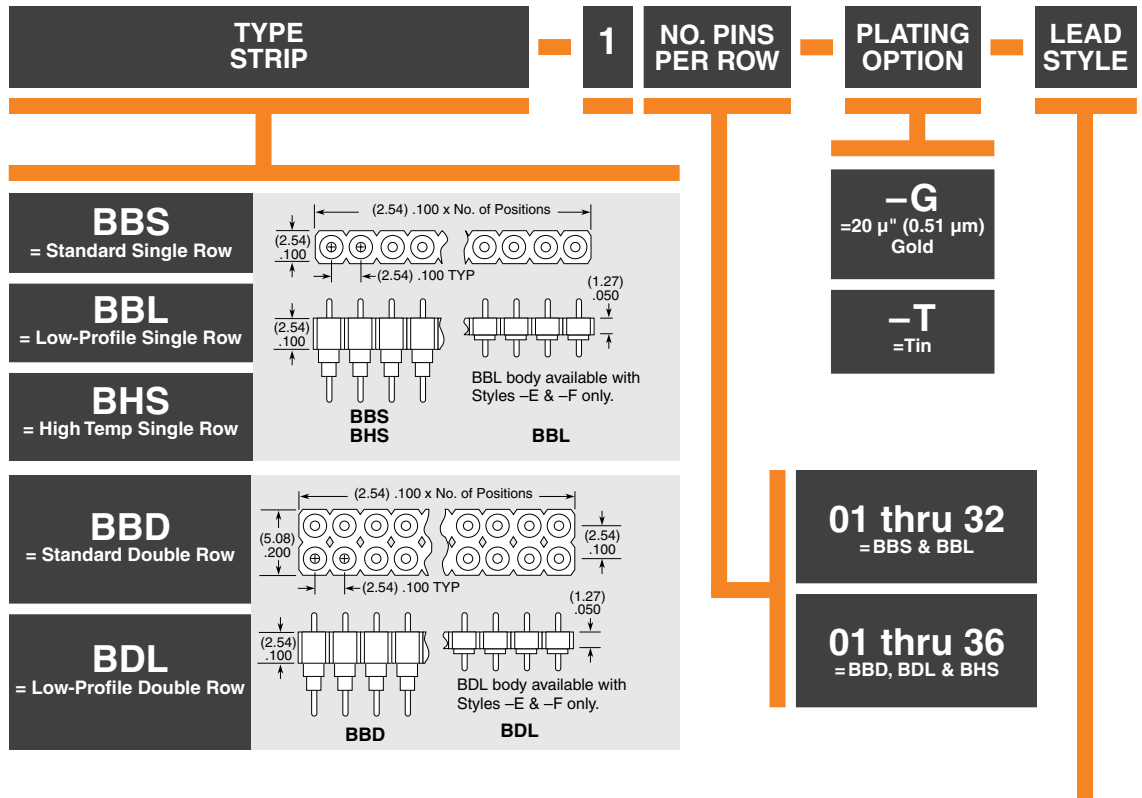
Lead-Free Solderable:
 Wave only (BBS, BBD, BBL, BDL)
 Wave, or reflow with all Au (BHS)

RECOGNITIONS

For complete scope of recognitions see www.samtec.com/quality



Note: Some lengths, styles and options are non-standard, non-returnable.



Due to technical progress, all designs, specifications and components are subject to change without notice.

WWW.SAMTEC.COM

All parts within this catalog are built to Samtec's specifications. Customer specific requirements must be approved by Samtec and identified in a Samtec customer-specific drawing to apply.