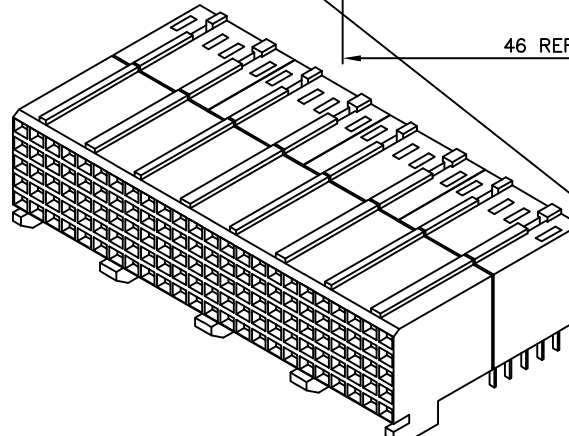
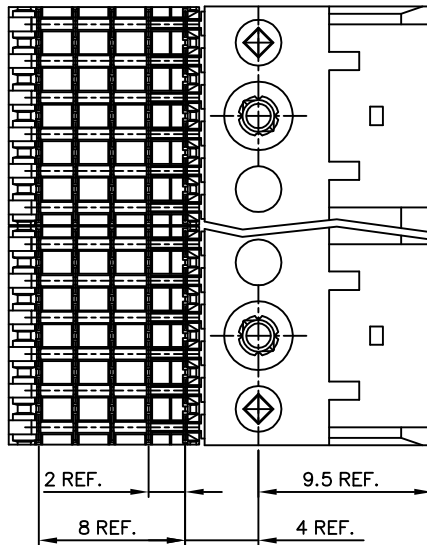
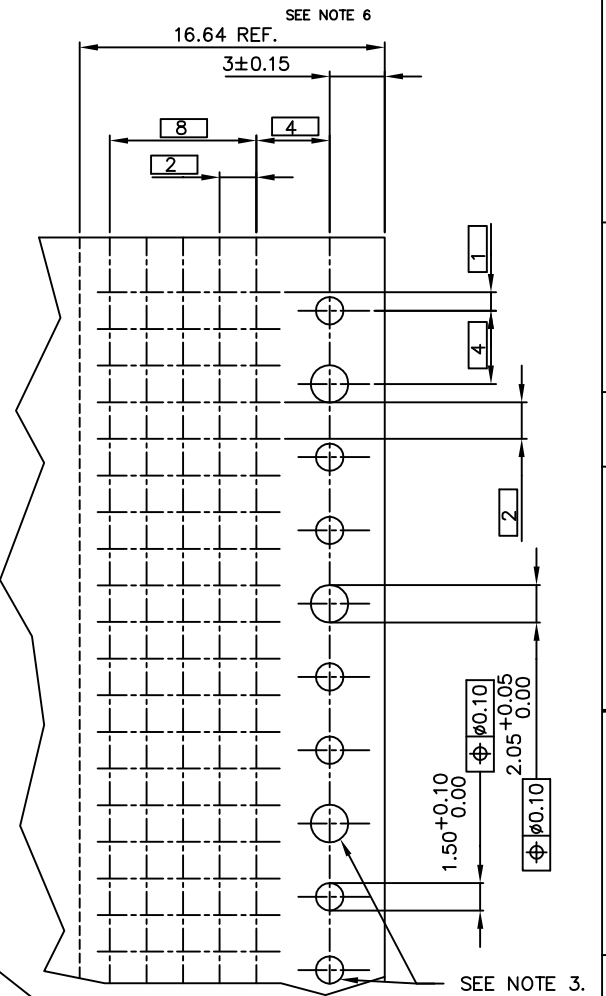
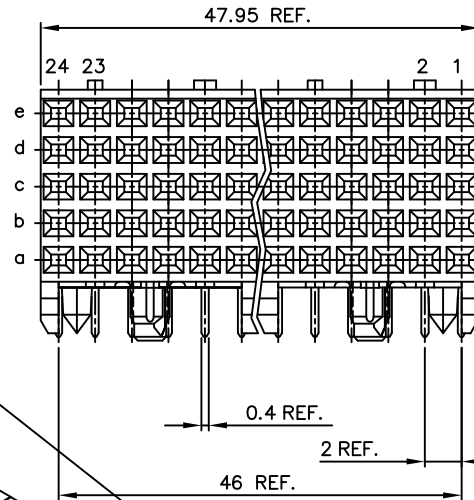
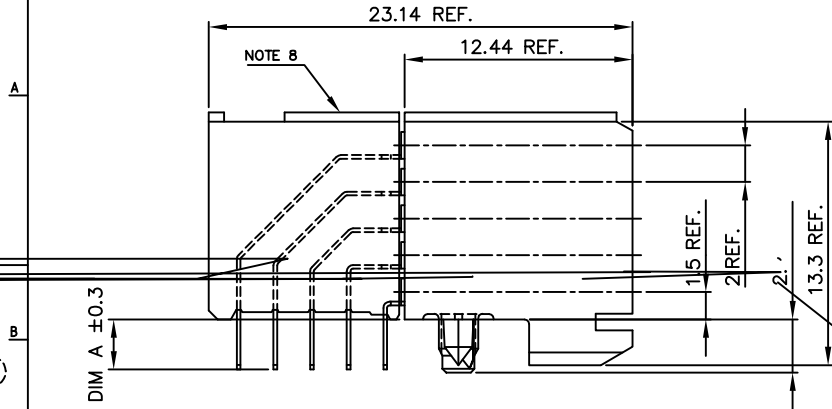
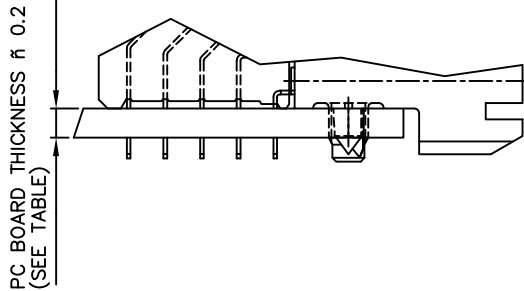


PLATING CONTACT AREA:	
DASH NR:	PERFORMANCE LEVEL:
-1YY/1YYLF	TELCORDIA CO
-2YY/2YYLF	CUSTOMER SPECIAL
-3YY/3YYLF	CUSTOMER SPECIAL
-9YY/9YYLF	TELCORDIA CO

PC BOARD VERSIONS			
PRODUCT NR:	PCB THICKNESS	DIM A	LOADING INFO.
85865-X02/X02LF	1.6	2.90	FULL LOADED
85865-X12/X12LF	2.4	3.53	FULL LOADED



- NOTES:
- BODY MAT'L: LIQUID CRYSTAL POLYMER 30% GLASS
FLAME RETARDANT ACC. UL 94-V0
 - TERMINAL MATERIAL: PHOSPHOR BRONZE.
 - INDICATED HOLES ARE UNPLATED.
 - PLATING OF SOLDER TAILS 2-8 μ m SnPb 90-97 OR 2-8 μ m PURE Sn FOR LEAD FREE.
 - PRODUCT MARKING: PART NUMBER & BATCH ID.
 - SET BACK FOR TAIL BLOCK
- BOTH SIDES OF PRODUCT.
- TOP SURFACE OF PRESS BLOCK MAY EXTEND UP TO 0.4MM HER THAN HOUSING. THIS MAY AFFECT THE TAIL LENGTH
 - THIS PRODUCT MEETS EUROPEAN UNION DIRECTIVES AND OTHER COUNTRY REGULATIONS AS DESCRIBED IN GS-22-008 .
 - THE HOUSING WILL WITHSTAND EXPOSURE TO 260DEGREE PEAK TEMPERATURE FOR 10 SECONDS IN A WAVE SOLDER APPLICATION.



mat'l. code		tolerances unless otherwise specified		CUSTOMER COPY		
SEE NOTES				FCI ELECTRONICS www.falconconnect.com		
ltr	ecn no	dr	date	projection	title	
H	004-004	Clu	040623	linear	5 ROW R.A. S.T.B. SIGNAL RECEPT. 48mm MOD. P.P.	
J	004-010	Clu	041223		product family METRAL (tm)	
K	0607-0189	Cent	05/15/07	angles	code 213	
		dr	R. VISSCHERS	941005	size dwg no	
E	003-0038	Jeff	030412	engr	E. FEIJEN	941006
F	T03-0430	Jeff	031026	chr	E. FEIJEN	941003
G	004-0038	Clu	040603	app	E. FEIJEN	941003
sheet	revision	K				scale
index	sheet	1				5:1
		A2		85865		sheet 1 of 1