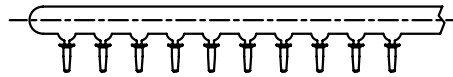
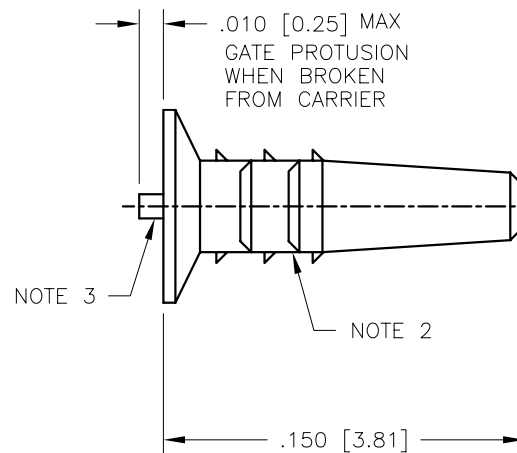
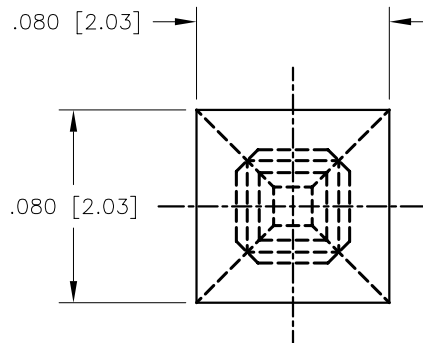


|                |          |
|----------------|----------|
| PRODUCT NUMBER |          |
| 65307-001      | OBSOLETE |
| 65307-001LF    |          |



MOLDED IN GROUPS OF UP TO 10  
ATTACHED TO CARRIER OR LOOSE PIECE.



NOTES :

1. MOLDING MATERIAL: PA6/66, FLAME RETARDANT PER UL 94V-0, COLOR: NATURAL.
2. SERRATED LOCKING SURFACES.
3. PRESS PLUG INTO PIN LEAD-IN OF HOUSING CAVITY MANUALLY.
4. PLUGS WILL FIT ALL MINI-PV™ ROD AND LATCH HOUSINGS. PRODUCT SPECIFICATION: BUS-12-067.
5. PRODUCT MEETS EUROPEAN UNION DIRECTIVES AND OTHER COUNTRY REGULATIONS AS DESCRIBED IN GS-22-008.
6. THE PRODUCT IS NOT INTENDED TO BE EXPOSED TO MANUFACTURING SOLDER PROCESSES.

|             |          |         |            |                                       |              |            |  |                               |  |
|-------------|----------|---------|------------|---------------------------------------|--------------|------------|--|-------------------------------|--|
| mat'l. code |          | surface |            | tolerance                             |              | projection |  | product family                |  |
| SEE NOTE 1  |          | ✓       |            |                                       |              | ⊕          |  | PV HOUSINGS                   |  |
| ltr         | ec'n no  | dr      | date       | tolerances unless otherwise specified |              | INCH/MM    |  | title                         |  |
| D           | v31683   | DAI     | 1993-09-23 | angles                                | linear       |            |  | MINI ROD AND LATCH HOUSING    |  |
| E           | v05-0713 | DAI     | 2005-07-29 |                                       |              |            |  | POLARIZING PLUG               |  |
| F           | v06-0454 | HTB     | 2006-05-24 | 0°±2'                                 |              | scale 1:1  |  |                               |  |
| G           | v06-0842 | HTB     | 2006-08-22 | dr                                    | P. PARSONS   | 1993-09-23 |  | dwg no                        |  |
| H           | v07-0534 | HTB     | 2007-08-23 | engr                                  | T. HANNA     | 1993-09-23 |  | sheet 1 of 1 size             |  |
|             |          |         |            | chr                                   | T. BREWBAKER | 1993-09-23 |  | 65307 A3                      |  |
|             |          |         |            | appd                                  | T. HANNA     | 1993-09-23 |  | type Product Customer Drawing |  |
| sheet       | revision | H       |            |                                       |              |            |  |                               |  |
| index       | sheet    | 1       |            |                                       |              |            |  |                               |  |



Copyright FCJ