



**FOLDS
FLAT TO
THE WALL**

BTV5 14

FLAT SCREEN WALL MOUNT WITH DOUBLE ARM

Designed to mount large sized screens, this ultra-slim wall mount with double arm features a tilting interface and three swivel points, allowing quick and easy repositioning of screens, whether folded flat to the wall or at maximum extension. Cable management is included to help make a neat and tidy mounting solution which is ideal for home installations as well as commercial applications.

SPECIFICATION

Recommended Screen Size	up to 60"
Max Load	35kg
VESA® compatibility	up to 600 x 400
Universal Fixings	up to 600 x 400mm
Tilt	+10°/-2°
Swivel	180°
Extension	40 - 450mm
Colour	Black

FEATURES

- Universal screen interface suitable for all screens
- Ultra-slim design allows close to the wall installation when folded flat
- Double arm for extended reach - ideal for corner mounting
- Lateral adjustment of screen once mounted
- Cable management clip included
- Simple 'hook-on' installation
- All mounting hardware included



Double arm for extended reach



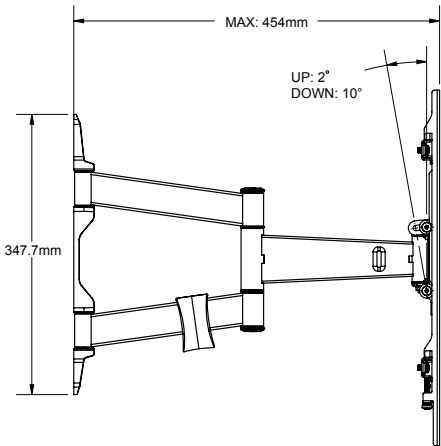
Cable management clip included



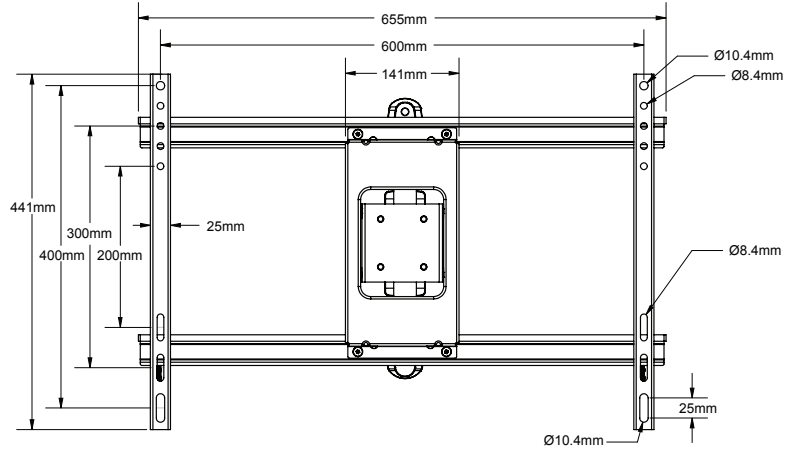
3 pivot points for easy screen positioning



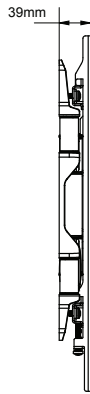
Ultra-slim design mounts screen only 40mm from wall when folded flat



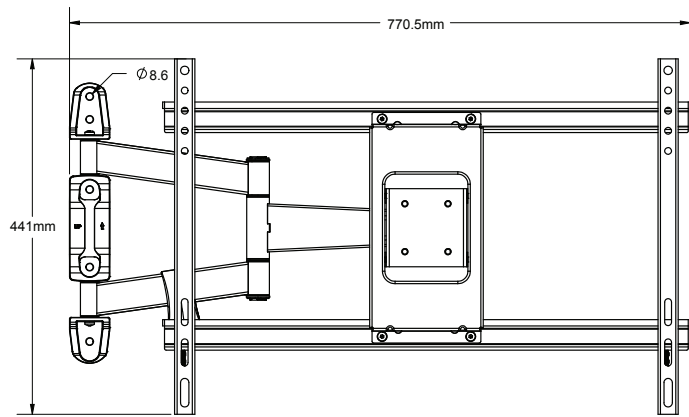
SIDE VIEW - MAXIMUM EXTENSION



FRONT VIEW - MAXIMUM EXTENSION



SIDE VIEW - ARM FLAT TO THE WALL



FRONT VIEW WITH ARM EXTENDED TO SIDE

PACKING INFORMATION

COLOUR:	ORDER REF:	EAN CODE:	MASTER CARTON QTY:	INNER CARTON QTY:	MASTER CARTON WEIGHT:	MASTER CARTON CUBE:
Black	BTV514/B	5019318440632	2	0	12.6kg	0.033cbm

ACCESSORIES AND SIMILAR PRODUCTS TO THE BTV514

BT8221



Double Arm Wall Mount with Tilt & Swivel designed for screens up to 65"

BT8225



Twin Cantilever Arm Wall Mount with Tilt & Swivel designed for screens up to 75"

BTV920



AV Component Shelf designed for holding all common AV equipment

BTV914



Universal Soundbar Mount fits directly to BTV514 to mount a Soundbar under your screen

© 2016 B-Tech Consumer Products, a division of B-Tech Manufacturing Ltd. All rights reserved. The information in this specification is for reference only. B-Tech reserves the right to change the technical specifications without notice. This is not a warranty, it is a description of the product. B-Tech is not liable for loss or damage caused by improper installation or modification or use of the product. B-Tech is not responsible for any damage to the product or any other property. B-Tech is not responsible for any damage to the product or any other property. B-Tech is not responsible for any damage to the product or any other property. B-Tech is not responsible for any damage to the product or any other property.

SS-BTV514-V1-110216