

RF Coaxial Cable Assembly - 100mm

IP67, Rear Lock, SMA Bulkhead Jack to MCX Straight Plug



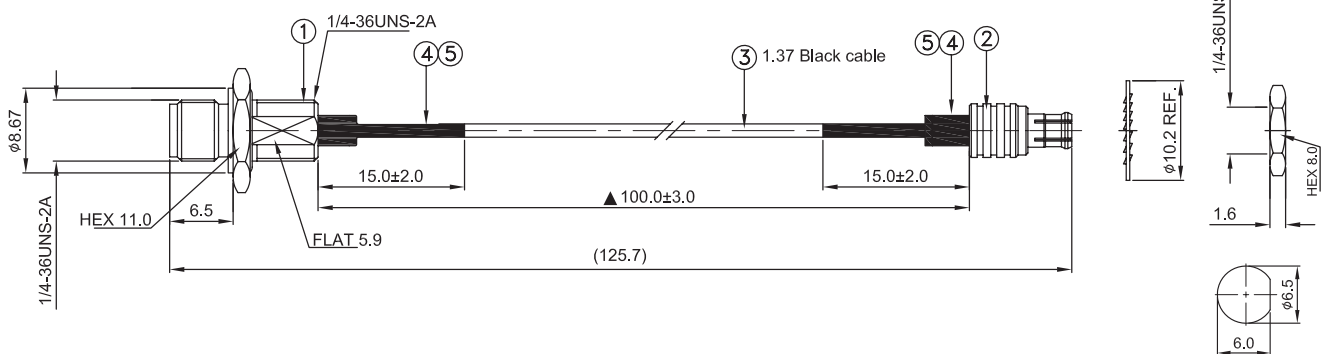
**RoHS
Compliant**



Electrical Performance:

Impedance	: 50Ω
Frequency Range	: DC ~ 6.0 GHz
Working Voltage	: 335Vrms Max.
Dielectric Withstanding Voltage	: 750Vrms Max.
Insulator Resistance	: 5000MΩ Min.

Diagram

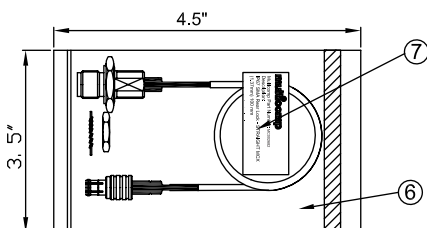


Specification	DC ~ 6.0 GHz
VSWR	1.65 : 1 Max.
Insertion Loss	-1.1 dB Max.

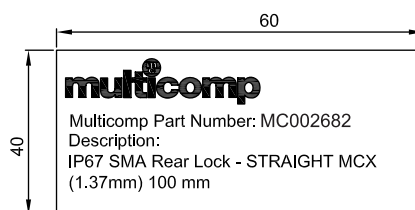
RECOMMENDED MOUNTING HOLE

Sl.	Description	Qty
1	IP67 SMA Rear Lock B/H Jack Crimp for OD 1.37 cable conn.	1
2	MCX, Straight, Plug, -, for 1.37	
3	1.37 Black Cable	
4	Heat Shrink Tube F32 2mm L=10mm, Colour: Black	2
5	Heat Shrink Tube F32 3mm L=15mm, Colour: Black	

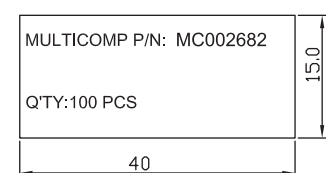
1 PCS/1PE BAG SIZE:4.5"x3.5"



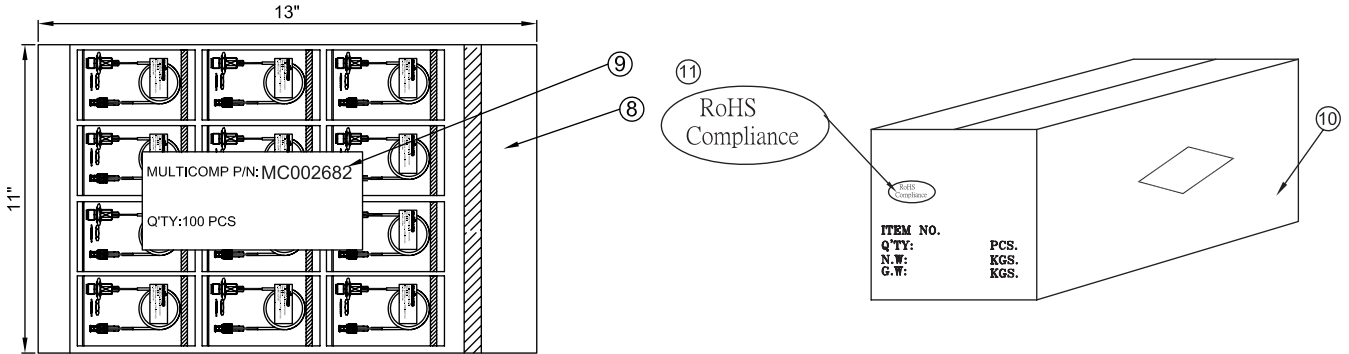
⑦ 3.5"x4.5" PE BAG LABEL SIZE:60x40mm



⑨ 11"x13" PE BAG LABEL SIZE:40x15mm



RF Coaxial Cable Assembly - 100mm IP67, Rear Lock, SMA Bulkhead Jack to MCX Straight Plug



Note:

1. 1 piece finished Product (include nut and washer)/1 PE Bag
2. 6 11" × 13" PE bag (600 pcs)/1 Carton

Item	Description	Qty
6	PE Bag 0.07mm, 3.5" × 4.5"	1
7	PE Bag Label size : 60mm × 40mm	
8	PE Bag 0.07mm, 11" × 13"	
9	Label Size: 40mm × 15mm	
10	Carton, Size: 33cm × 22cm × 22cm	
11	RoHS Logo Label size: 45mm × 20mm	

Part Number Table

Description	Part Number
RF Coax Cable Assembly, IP67, Rear Lock, SMA Bulkhead Jack - MCX Straight Plug, 50Ω, Black, 100mm	MC002682

Important Notice : This data sheet and its contents (the "Information") belong to the members of the Premier Farnell group of companies (the "Group") or are licensed to it. No licence is granted for the use of it other than for information purposes in connection with the products to which it relates. No licence of any intellectual property rights is granted. The Information is subject to change without notice and replaces all data sheets previously supplied. The Information supplied is believed to be accurate but the Group assumes no responsibility for its accuracy or completeness, any error in or omission from it or for any use made of it. Users of this data sheet should check for themselves the Information and the suitability of the products for their purpose and not make any assumptions based on information included or omitted. Liability for loss or damage resulting from any reliance on the Information or use of it (including liability resulting from negligence or where the Group was aware of the possibility of such loss or damage arising) is excluded. This will not operate to limit or restrict the Group's liability for death or personal injury resulting from its negligence. Multicomp is the registered trademark of the Group. © Premier Farnell Limited 2016.

www.element14.com
www.farnell.com
www.newark.com

