

RJ45 Jack, 1x1 Tab Down R/A, LED Shilded, TH



**RoHS
Compliant**

Specifications:

100 BASE-T Ethernet Application
 Meets IEEE 802.3 & ANSI X 3.263 Standards
 Operating Temperature : 0°C to +75°C;
 Storage Temperature : -40°C to +85°C;
 Insulation Resistance : 500MΩ;
 Insertion Force With The Latch Depressed: 22N Max.;
 Removal Force With The Latch Depressed: 44N Max.;
 Locking Force of Plug Latch: 50N Min. @60 ±5 sec.;
 Durability : 750 Cycles;

Transmitter Filter & Receiver Filter:

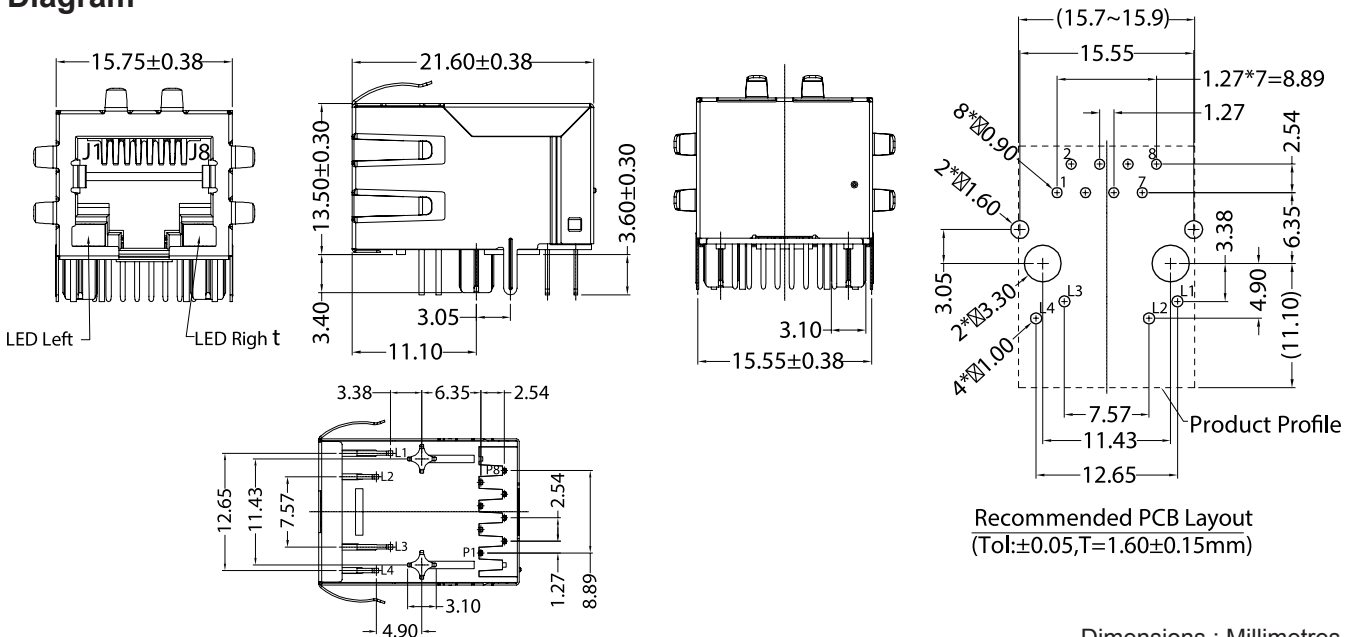
Type : Balance Low Pass 100Ω Impedance
 Insertion Loss : 1~100 MHz -1.0dB Max.
 Return Loss : 1~30 MHz -18dB Min. Load 100Ω
 30~60 MHz -16dB Min. Load 100Ω
 60~80 MHz -12dB Min. Load 100Ω

Comm Mode Rejection : @1~100 MHz -30dB Min.
 Cross Talk : @1~100 MHz -30dB Min.
 Inductance : @100 KHz, 0.1V, 8mA DC BIAS
 Input(J1-J2), Input(J3-J6): 350uH Min.

HiPot Test

Input(J1-J2) To Output(P1-P2) : 1500V AC or 2250V DC @60S
 Input(J3-J6) To Output(P3-P6) : 1500V AC or 2250V DC @60S
 DC Resistance : (J1-J2) and (J3-J6) 1.2Ω Max

Diagram



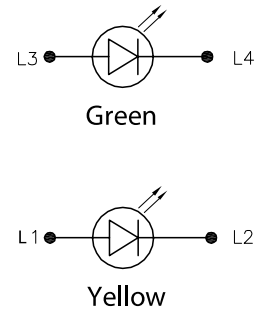
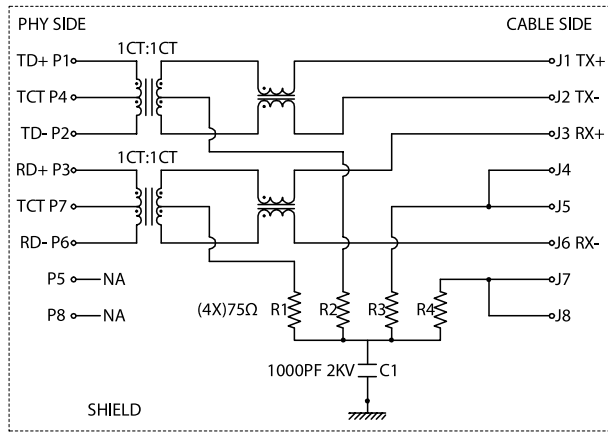
Dimensions : Millimetres



RJ45 Jack, 1x1 Tab Down R/A, LED Shilded, TH



SCHEMATICS (10/100BASE T-01)



No.	Part Name	Material	Finish	Qty.
1	Housing	LCP+30%G/F ,Black	-	1
2	Case	LCP+30%G/F ,Black	-	1
3	Input-Contact	C2680H, T=0.35	100~200μ"Sn, Ni 50~80μ"	8
4	RJ-Contact	C5191H, T=0.3	1μ" Au/Sn, Ni 50~80μ"	8
5	Shell	SUS304H/2, T=0.2	NI50~250μ"	1

Part Number Table

Description	Part Number
RJ45 Jack, 1 x 1 Tab Down, R/A, LED, Shielded, 10/100 Base-TX, 8P8C, TH, Black	MC001515

Important Notice : This data sheet and its contents (the "Information") belong to the members of the Premier Farnell group of companies (the "Group") or are licensed to it. No licence is granted for the use of it other than for information purposes in connection with the products to which it relates. No licence of any intellectual property rights is granted. The Information is subject to change without notice and replaces all data sheets previously supplied. The Information supplied is believed to be accurate but the Group assumes no responsibility for its accuracy or completeness, any error in or omission from it or for any use made of it. Users of this data sheet should check for themselves the Information and the suitability of the products for their purpose and not make any assumptions based on information included or omitted. Liability for loss or damage resulting from any reliance on the Information or use of it (including liability resulting from negligence or where the Group was aware of the possibility of such loss or damage arising) is excluded. This will not operate to limit or restrict the Group's liability for death or personal injury resulting from its negligence. Multicomp is the registered trademark of the Group. © Premier Farnell Limited 2016.