

RJ45 Jack, 1x1 Tab Down R/A, LED Shilded, TH



**RoHS
Compliant**

Specifications:

Meets IEEE 802.3 & ANSI X 3.263 Standards
 Wave Solder Temperature Capable 265 ±5°C
 Operating Temperature : 0°C to + 75°C
 Storage Temperature : -40°C to +85°C
 Durability : 750 Cycles
 Electrical Characteristics(Test Temperature 25±5°C)
 Contact Resistance : 30MΩ
 Insulation Resistance : 500MΩ

Transmitter Filter and Receiver Filter

Type : Balance Low Pass 1000 Impedance
 Insertion Loss : 1 MHz ~ 100MHz -1dB Max.
 Return Loss : 1 MHz ~ 30MHz -18dB Min. Load 1000
 30MHz ~ 60MHz -16dB Min. Load 1000
 60MHz ~ 80MHz -12dB Min. Load 1000
 80MHz ~ 100MHz -10dB Min. Load 1000
 Cross Talk : 1MHz ~ 100MHz -30dB Min.
 Common Mode Rejection : 1MHz ~ 100MHz -30dB Min.
 Inductance : 100kHz, 100mV, 8mA, DC Bias 350μH Min.

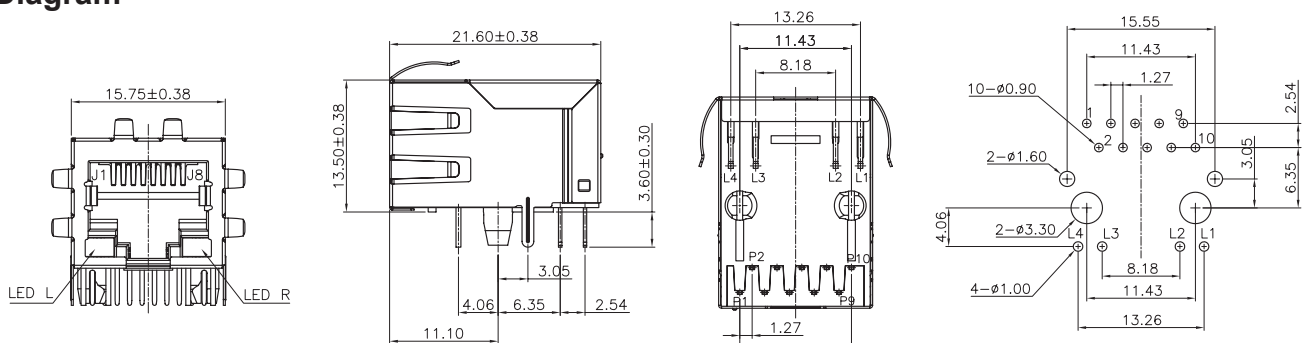
Hi Pot Test

Input to Output : 1500V AC or 2250V DC @60S
 DC Resistance : (J1-J2), (J3-J6), (J4-J5), (J7-J8) 1.2Ω Max.

Material and Finish

Housing : High-Temperature Plastic, Black, UL94V-0
 Case : High-Temperature Plastic, Black, UL94V-0
 Input Contact : Copper Alloy, T=0.35mm, Solder
 Area : SN 80μ" Min.
 Output Contact : Copper Alloy, T=0.30mm, Contact
 Area : Gold Plating G/F, Solder Area : SN 80μ" Min.
 Shell : Alloy, T=0.2mm, NI 30μ" Min.

Diagram



Recommended PCB Layout
 (T=1.60mm, Tol:±0.05)

Dimensions : Millimetres

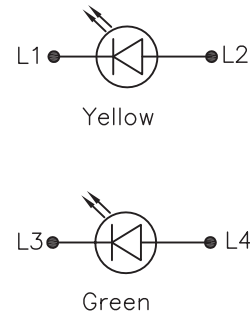
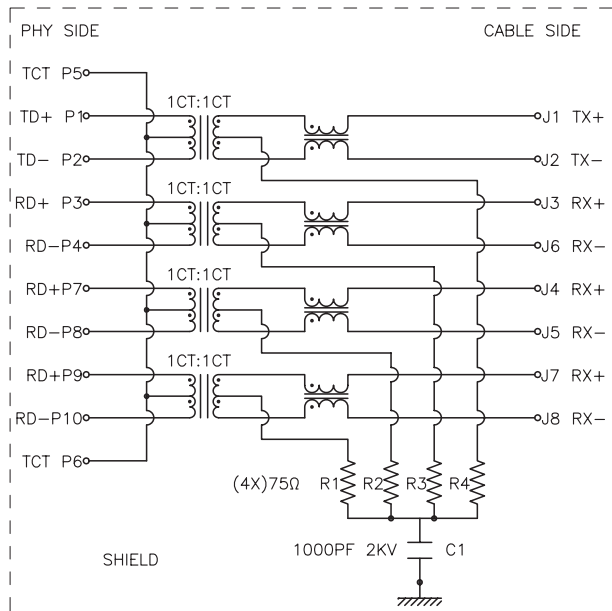
www.element14.com
 www.farnell.com
 www.newark.com



RJ45 Jack, 1x1 Tab Down R/A, LED Shileded, TH



SCHEMATICS (1000BASE-TX)



Part Number Table

Description	Part Number
RJ45 Jack, 1 x 1 Tab Down, R/A, LED, Shielded, 1000 Base-TX, 10P8C, TH, Black	MC001516

Important Notice : This data sheet and its contents (the "Information") belong to the members of the Premier Farnell group of companies (the "Group") or are licensed to it. No licence is granted for the use of it other than for information purposes in connection with the products to which it relates. No licence of any intellectual property rights is granted. The Information is subject to change without notice and replaces all data sheets previously supplied. The Information supplied is believed to be accurate but the Group assumes no responsibility for its accuracy or completeness, any error in or omission from it or for any use made of it. Users of this data sheet should check for themselves the Information and the suitability of the products for their purpose and not make any assumptions based on information included or omitted. Liability for loss or damage resulting from any reliance on the Information or use of it (including liability resulting from negligence or where the Group was aware of the possibility of such loss or damage arising) is excluded. This will not operate to limit or restrict the Group's liability for death or personal injury resulting from its negligence. Multicom is the registered trademark of the Group. © Premier Farnell Limited 2016.

www.element14.com
www.farnell.com
www.newark.com

