

# High Power Terminal Block

## 21.890M/xx-E

- 600V 65A (UL)
- UL94-V0
- Rising Clamp
- 10.16mm Pin Pitch
- 10.4mm Row Pitch
- RoHS Compliant
- xx = Number of Poles
- Product Supplied With Clamp Completely Open

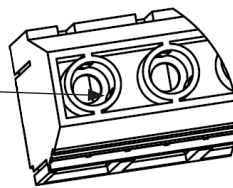
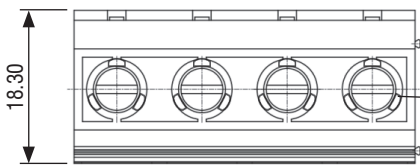
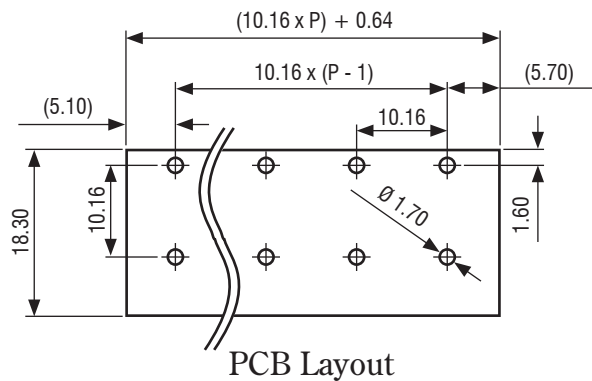


File Number: E244285



### Technical Data

Pitch	10.16mm
UL Rating	600V 65Amps
IEC Rating	1000V 57Amps
Clamp	Brass/Zinc Plated
Wire Range	6-20AWG
PCB Hole Diameter	1.7mm
Screw	M4 Steel (Zinc Plate)
Screw Torque	1.8Nm
Insulation Voltage	2.5kV
Temperature Range	-40 to +105°C



NOTE: Screw fillet positions representative only

