

EVC 135 Contactor

- Limiting continuous current 135A at 85°C
- Hermetically sealed
- UL approved

Typical applications

- DC high voltage high current applications
- Main contactor for hybrid and electric vehicles
- Contactor for onboard chargers, auxiliary loads and precharge systems



FEVC135_fw1

Contact Data

Contact arrangement	1 Form X (SPST NO DM)
Rated operating voltage	450 to 600VDC (900VDC) ¹⁾
Continuous carry current	135A
Limiting short-time current	225A / 6min
Make/break current at various voltages	see graph on page 3
Limiting break current, forward direction resistive load, 23°C, 450VDC	1 x 660A
Load life	see graph on page 3
Initial contact voltage drop at 100A, 30s	<65mV
Operate / release time max.	
close (includes bounce)	25 ²⁾
bounce (after close only)	5
release (includes arcing) at 2000A	10
Mechanical life	>1,000,000 cycles

- 1) Suitable for voltages up to 450VDC with limited capability to 900VDC. UL approved model EVC 135-XXXXB required for 450 to 600VDC, limited capability to 900VDC.
2) 25ms at nominal operating voltage. Consult TE Connectivity for operating time not done at rated voltage.

Coil Data³⁾

Un-economized coil for optional voltage reduction after pull-in					
Coil code	Rated voltage VDC	Pull-in voltage max. VDC	Min. hold voltage VDC	Min. Drop-out voltage VDC	Coil resistance Ω -5 %/+10%
5	12	8.8	7.15	1.0	26
7	24	17.5	12.6	2.0	96

Un-economized coil for external economization⁴⁾

Coil code	Rated voltage VDC	Pull-in voltage max. VDC	Min. hold voltage ⁵⁾ VDC	Min. Drop-out voltage VDC	Coil resistance Ω -5 %/+10%
4	12	7.5	4.6	0.85	15.3
6	12	3.5	2.0	0.5	3.8

- 3) All data valid at 23°C coil temperature.
4) Un-economized coil must be economized by the customer to avoid overheating.
5) Must operate at 12V for 100ms before reducing to minimum hold voltage.

Coil Data (continued)

Recommended PWM parameters for customer supplied economizer circuit (valid from -40°C to 85°C)

Frequency kHz	Operating Voltage Range VDC	Coil Current (min. recomm. RMS) mA	Duty cycle %	Max. Inrush Time ms
20 ±2	9 to 16	650	3.8Ω coil: 30 ±5 15.3Ω coil: 50 ±5	200

Insulation Data

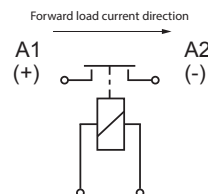
Initial dielectric strength ⁶⁾	
between open contacts	2920VDC / leakage <1mA
between contact and coil	2920VDC / leakage <1mA
max. altitude	5000m
Insulation resistance at 500VDC ⁶⁾	
between open contacts	>1 GΩ
between contact and coil	>1 GΩ

6) Meets dielectric strength and IR requirements according to ISO 6469-3, conformity to IEC60664-1 in preparation.

Other Data

Material data	EU RoHS/ELV compliant
Ambient temperature	-40°C to +85°C
Vibration resistance (functional)	20g
Shock resistance (functional)	50g
Terminal type	stripped wires (coil) and screw (load)
Weight	approx. 180g (0.40lb)

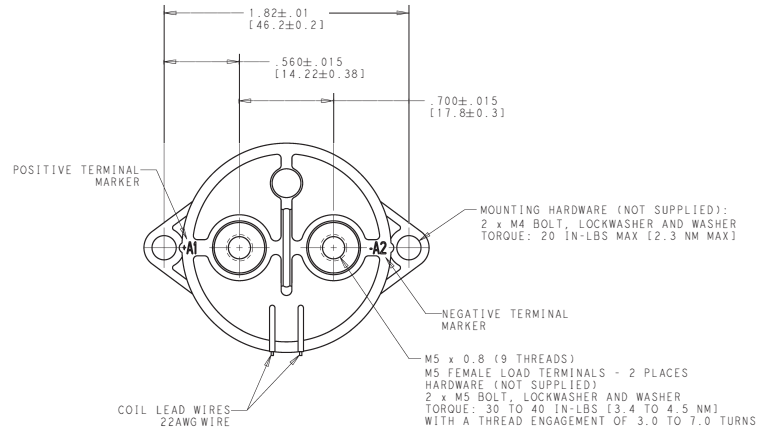
Terminal Assignment



EVC 135 Contactor (Continued)

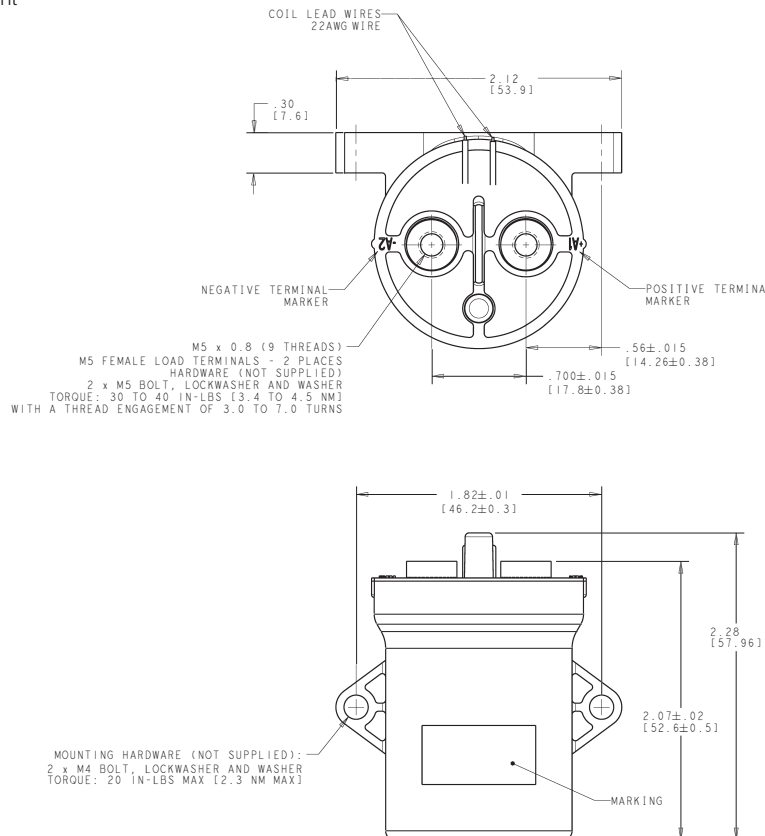
Dimensions

EVC 135 Contactor Bottom Mount



Dimensions

EVC 135 Contactor Side Mount

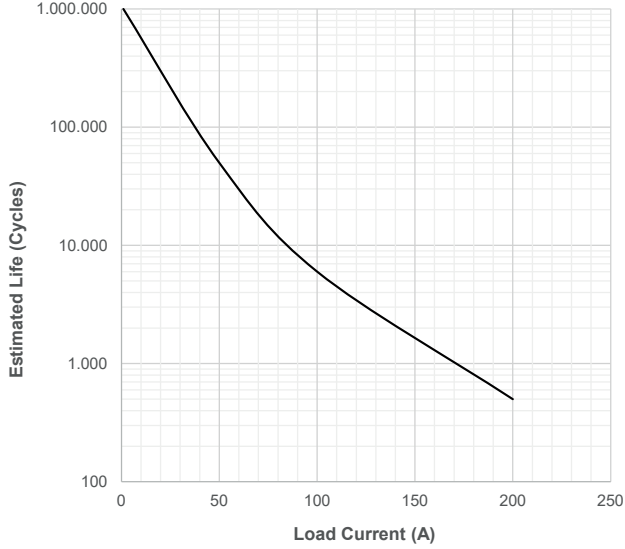


EVC 135 Contactor (Continued)

Contact performance

Life cycle vs. resistive load at 400VDC

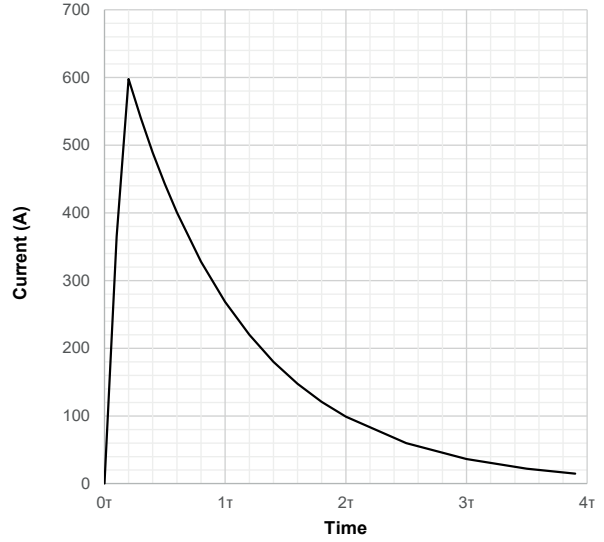
(Chart is for engineering guideline, verification at 2,200VRMS for dielectric withstand)



Notes:

- 1) The maximum make current is 600A to avoid contact welding.
- 2) For reverse current, the performance will roughly be reduced by 50% of the cycle life in forward direction.

Contacts closed into capacitor precharge sequence at various time constants

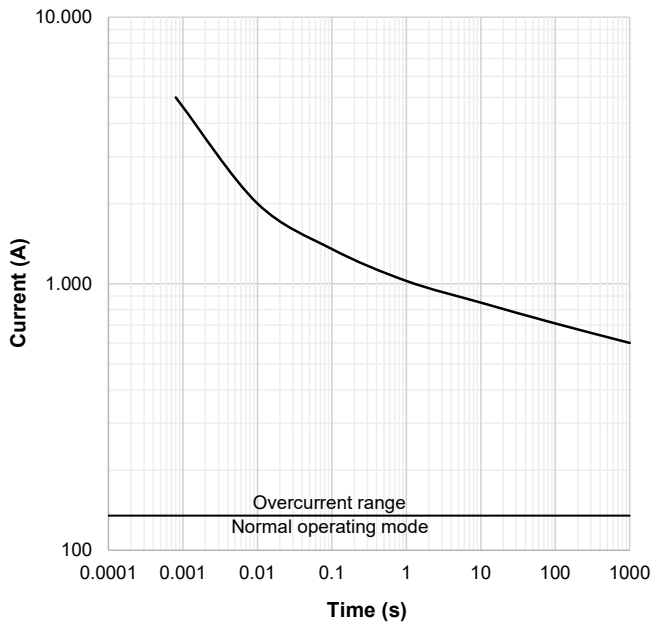


Notes:

- 1) Because higher current causes more damage to contact surface, at least 95% precharge is recommended.
- 2) Inrush current dependent upon RC time constant and precharge timing sequence.

Estimated fuse guide for EVC 135 contactors

(Reference only – not to be used for actual fuse sizing)



EVC 135 Contactor (Continued)

Product code structure	Typical product code					EVC 135	-4	B	N	G	A
Type	EVC 135 EVC 135 Contactor										
Coil	4 12VDC (15.3Ω coil)					6 12VDC (3.8Ω coil)					
	5 12VDC (26.0Ω coil)					7 24VDC (96.0Ω coil)					
Coil wire length	A 15 inches (380mm)					B 6 inches (150mm)					
Coil termination	N None – stripped wires					C Customer specific connector					
Mounting & power terminals	G Bottom mount (2 x #8), M5 x 10					H Side mount (2 x #8), M5 x 10					
Arc magnet	A Grade 8 (Standard)					B Grade 30 (required for UL approval at >450VDC)					

Production in Americas (only)

Product code	Coil resistance	Coil voltage	Economization or voltage reduction	Coil leads	Mounting	Part number
EVC 135-4BNGA	15.3Ω	12VDC	Required	6 inches	Bottom	2203194-1
EVC 135-5ANGA	26.0Ω		Optional	15 inches		2138622-1
EVC 135-7BNGA	96.0Ω	24VDC		6 inches		2138602-1
EVC 135-4ANHA	15.3Ω	12VDC	Required	15 inches	Side	2272229-1
EVC 135-4BNHA				6 inches		2138168-1
EVC 135-5BNGA	26.0Ω		Optional		Bottom	2098371-1
EVC 135-6BNGA	3.8Ω		Required			2138084-1

Production in Asia (only)

Product code	Coil resistance	Coil voltage	Economization or voltage reduction	Coil leads	Mounting	Part number
EVC 135-4BNGA	15.3Ω	12VDC	Required	6 inches	Bottom	2219560-2
EVC 135-5ANGA	26.0Ω		Optional	15 inches		2219560-7
EVC 135-5BNGA	26.0Ω		Optional		Bottom	2219560-3
EVC 135-6BNGA	3.8Ω		Required			2219560-1