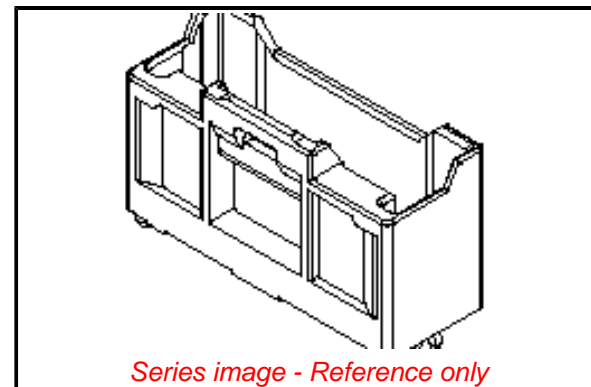


**PLEASE CHECK WWW.MOLEX.COM FOR LATEST PART INFORMATION**

**Part Number:** [5030911421](#)  
**Status:** **Active**  
**Overview:** [iGrid Wire-to-Board Dual-Row System](#)  
**Description:** 2.00mm Pitch iGrid Wire-to-Board Header, Dual Row, Vertical, Gold (Au) Plating, with PCB Locator, 14 Circuits

**Documents:**

<a href="#">Drawing (PDF)</a>	<a href="#">Packaging Specification 5030919200-SPK-200 (PDF)</a>
<a href="#">Product Specification 5016460000-PS-000 (PDF)</a>	<a href="#">RoHS Certificate of Compliance (PDF)</a>
<a href="#">Application Specification 5016460000-A00 (PDF)</a>	<a href="#">Product Literature (PDF)</a>
<a href="#">Application Specification 5016460000-A01 (PDF)</a>	



**Agency Certification**

CSA	LR19880
UL	E29179

**General**

Product Family	PCB Headers
Series	<a href="#">503091</a>
Application	Signal, Wire-to-Board
Overview	<a href="#">iGrid Wire-to-Board Dual-Row System</a>
Product Literature Order No	987650-1973
Product Name	iGrid
UPC	800756915944

**Physical**

Breakaway	No
Circuits (Loaded)	14
Circuits (maximum)	14
Color - Resin	Black
Durability (mating cycles max)	30
First Mate / Last Break	No
Flammability	94V-0
Glow-Wire Capable	No
Keying to Mating Part	Yes
Lock to Mating Part	Yes
Material - Metal	Brass
Material - Plating Mating	Gold
Material - Plating Termination	Gold
Material - Resin	Nylon
Net Weight	830.000/mg
Number of Rows	2
Orientation	Vertical
PC Tail Length	3.20mm
PCB Locator	Yes
PCB Retention	None
PCB Thickness - Recommended	1.20mm, 1.60mm
Packaging Type	Tray
Pitch - Mating Interface	2.00mm
Plating min - Mating	0.100µm
Plating min - Termination	0.100µm
Polarized to Mating Part	Yes
Polarized to PCB	Yes
Stackable	No
Surface Mount Compatible (SMC)	No
Temperature Range - Operating	-40°C to +105°C
Termination Interface: Style	Through Hole

**EU ELV**

**Not Relevant**

**EU RoHS**

**Compliant**

**REACH SVHC**

Not Contained Per  
-ED/01/2018 (15  
January 2018)

**Halogen-Free**

**Status**

**Not Low-Halogen**

**Need more information on product environmental compliance?**

Email [productcompliance@molex.com](mailto:productcompliance@molex.com)  
Please visit the [Contact Us](#) section for any non-product compliance questions.

China ROHS	Green Image
ELV	Not Relevant
RoHS Phthalates	Not Contained

**Search Parts in this Series**

[503091](#) Series

**Mates With**

[501646](#) Housing

Unmated Height	12.00mm
<b>Electrical</b>	
Current - Maximum per Contact	2.0A
Voltage - Maximum	250V AC (RMS)/DC

**Material Info**

**Reference - Drawing Numbers**

Application Specification	5016460000-A00, 5016460000-A01
Packaging Specification	5030919200-SPK-200
Product Specification	5016460000-PS-000
Sales Drawing	5030910000-SD-000

This document was generated on 04/18/2018

**PLEASE CHECK [WWW.MOLEX.COM](http://WWW.MOLEX.COM) FOR LATEST PART INFORMATION**