

PLXE Panel Heater



Technical Details

Controls	Digitally controlled, Electronic Thermostat accurate to ($\pm 0.2^{\circ}\text{C}$) Timer modes: 7 Day Programmable User Timer, Out All Day, Home All Day, Holiday Continuous heat modes: Eco, Manual, Frost Protect, Setback, Runback, Off
Controller UI	<ul style="list-style-type: none"> Graphical display with RGB backlight Capacitive buttons with audio feedback User replaceable battery (Coin-Type)
Controller Functions	<ul style="list-style-type: none"> Open window detection, Adaptive-start, Advance time period Adjustable max SP range ($7-32^{\circ}\text{C}$) Bluetooth for software updates Child Lock & Landlord Lock (PIN-based)
Construction	Durable epoxy-polyester powder coated steel casing with louvered forward facing grille Advanced controls with cap-sense technology for total flexibility of heating *Note: PLXC300E features a slotted grille
Element	Compact, finned, mineral filled sheathed element
Installation	1 H-frame wall bracket for easy fixing
Safety	<ul style="list-style-type: none"> Thermal cut-out. Auto reset type Overheat detection
IP Rating	IP24
Battery Backup	3.3V coin cell battery to backup real time clock. Battery life > 5 years.
Supply	1.3 metres fitted, 3 core for fused spur installation, 1/N/PE -230-240 V, 50Hz Class I, with earth wire
Colour / Finish	Metal Chassis, Air Outlet Grille & Control Moulding - Traffic White (RAL 9016)

Warranty & Approvals

Approvals	CE, BEAB
Warranty	2 Years
Country of Origin	United Kingdom
Manufacturer	Glen Dimplex Heating & Ventilation (GDC Group Ltd)

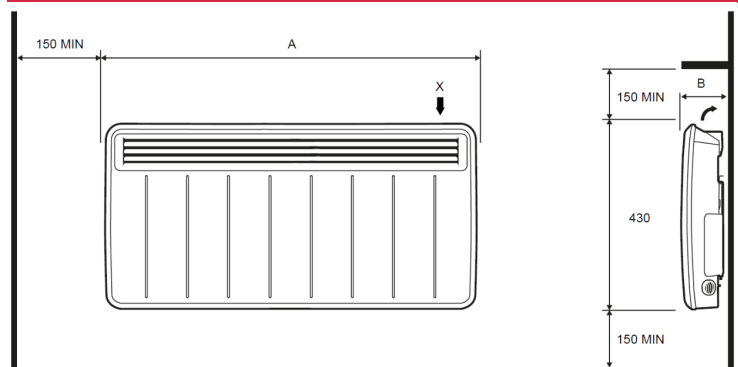
Product Description

PLXE features intuitive user controls, allowing the programming of multiple 7-day timer profiles via a backlit LCD display and capacitive buttons

Key Features

- Intuitive user controls with RGB backlit LCD display
- User programmable room temperatures with multiple seven-day timer profiles
- Electronic thermostat accurate to within 0.2°C
- Energy-saving technologies such as Adaptive Start and Open Window Detection
- Slim line design that covers traditional panel heater fixing marks
- Forward facing louvered grille for optimum heat circulation
- Aesthetics to compliment storage heater ranges
- Splash proof for use in bathrooms
- Complies with Lot 20 of ERP Directive

Dimensions



Model/Item No. (EAN-Code 5011139+Item No.)	090768 PLX050E	090775 PLX075E	090713 PLX100E	090720 PLX125E	090737 PLX150E	090744 PLX200E	PLXC300E 090751
Output (kW)	0.50	0.75	1.00	1.25	1.50	2.00	3.00
Height (mm)	430	430	430	430	430	430	430
Width A (mm)	450	620	620	690	690	860	860
Depth B (mm)	108	108	108	108	108	108	143
Weight (Kg)	4.6	5.9	5.9	6.1	6.1	7.8	8.7
Packaging Details							
Height (mm)	470	470	470	470	470	470	470
Width (mm)	490	660	660	720	720	890	890
Depth (mm)	135	135	135	135	135	135	160
Packed Weight (Kg)	5.1	6.5	6.5	6.7	6.7	8.4	9.8
Ti	17	12	12	10	10	9	7
Hi	4	4	4	4	4	4	4
Pallet Quantity (2.4m high)	68	48	48	40	40	36	28