



# EBSLCN, EKSLCN

TAIYO YUDEN CO., LTD.

## Introduction

This evaluation board is applicable for Taiyo Yuden's **Bluetooth® low energy** module, EYSLCN Series.



Serial UART interface and power supply are possible with one USB cable. And this board has the SWD connector terminal for software development.

## Mounted module

EYSLCN Series (9.6mm x 12.9mm x 2.0mm\_MAX)



Nordic nRF52810 / ARM® Cortex™-M4 32 bit processor  
49-pin Land Grid Array / 30GPIOs / SWD

- Basic Module -

Taiyo Yuden writes SoftDevice to this product.

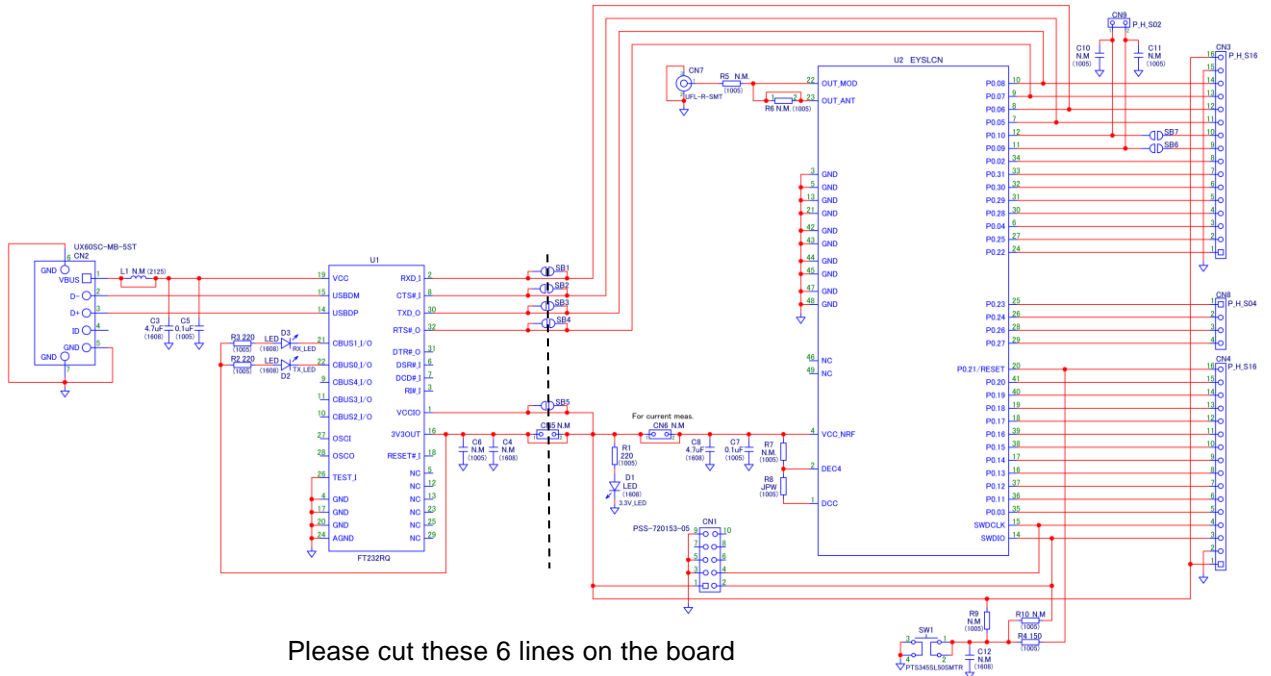
The user can develop unique application for the module.

## Content

1	EBSLCN Series Evaluation Board (PCB name_TE8648-2)	1 pc
2	J-Link Lite (EKSLCN Series Only)	1 set

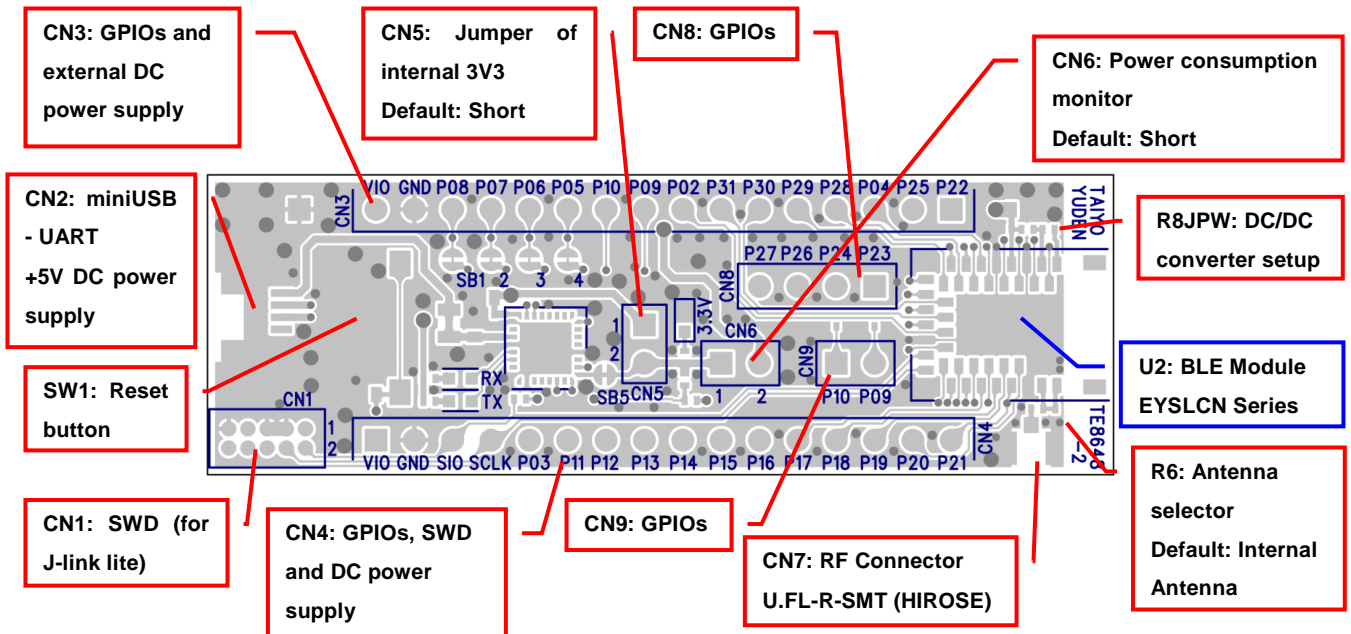


## Evaluation board circuit schematic



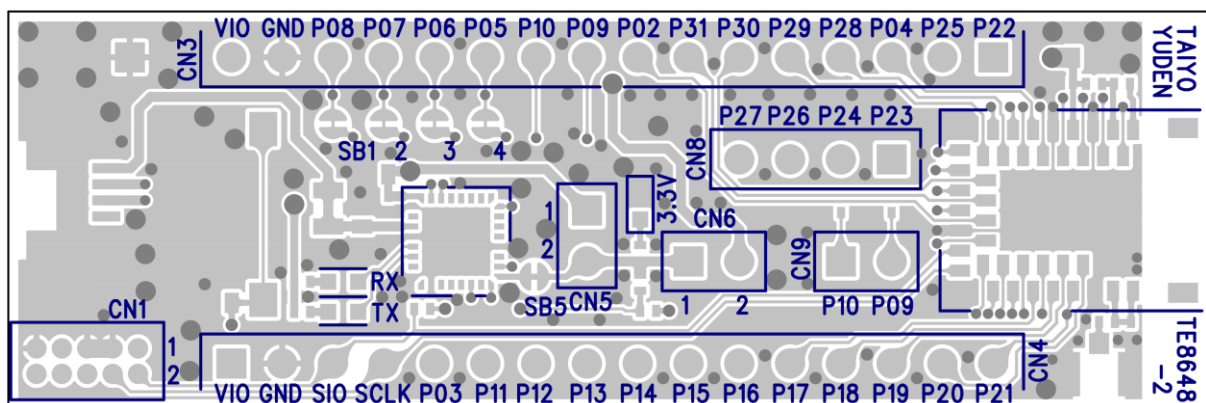
Please cut these 6 lines on the board if you want to separate U1 and U2.

## Evaluation board layout



- 1) All pin headers are 2.54mm pitch. And distance between **CN3** and **CN4** is **15.24mm**.
- 2) **CN3,4,5,6,8, C4,6,10-12, L1, R5-7,9,10, SB1-7, TP1** are not mounted (N.M.).
- 3) **D1 (LED)**: 3.3V Indicator
- 4) **D2 (LED)**: UART TX Indicator
- 5) **D3 (LED)**: UART RX Indicator
- 6) **SW1 (Push button)**: Module Reset (active low)

## Silkscreen Printing



**EBSLCN, EKSLCN**

TAIYO YUDEN CO., LTD.

Pin Descriptions

Pin No.	CN3	CN4	CN8
1	P0.22	VIO	P0.23
2	P0.25	GND	P0.24
3	P0.04	SWDIO	P0.26
4	P0.28	SWDCLK	P0.27
5	P0.29	P0.03	
6	P0.30	P0.11	
7	P0.31	P0.12	
8	P0.02	P0.13	
9	P0.09	P0.14	
10	P0.10	P0.15	
11	P0.05	P0.16	
12	P0.06	P0.17	
13	P0.07	P0.18	
14	P0.08	P0.19	
15	GND	P0.20	
16	VIO	P0.21/RESET	

# EBSLCN, EKSLCN

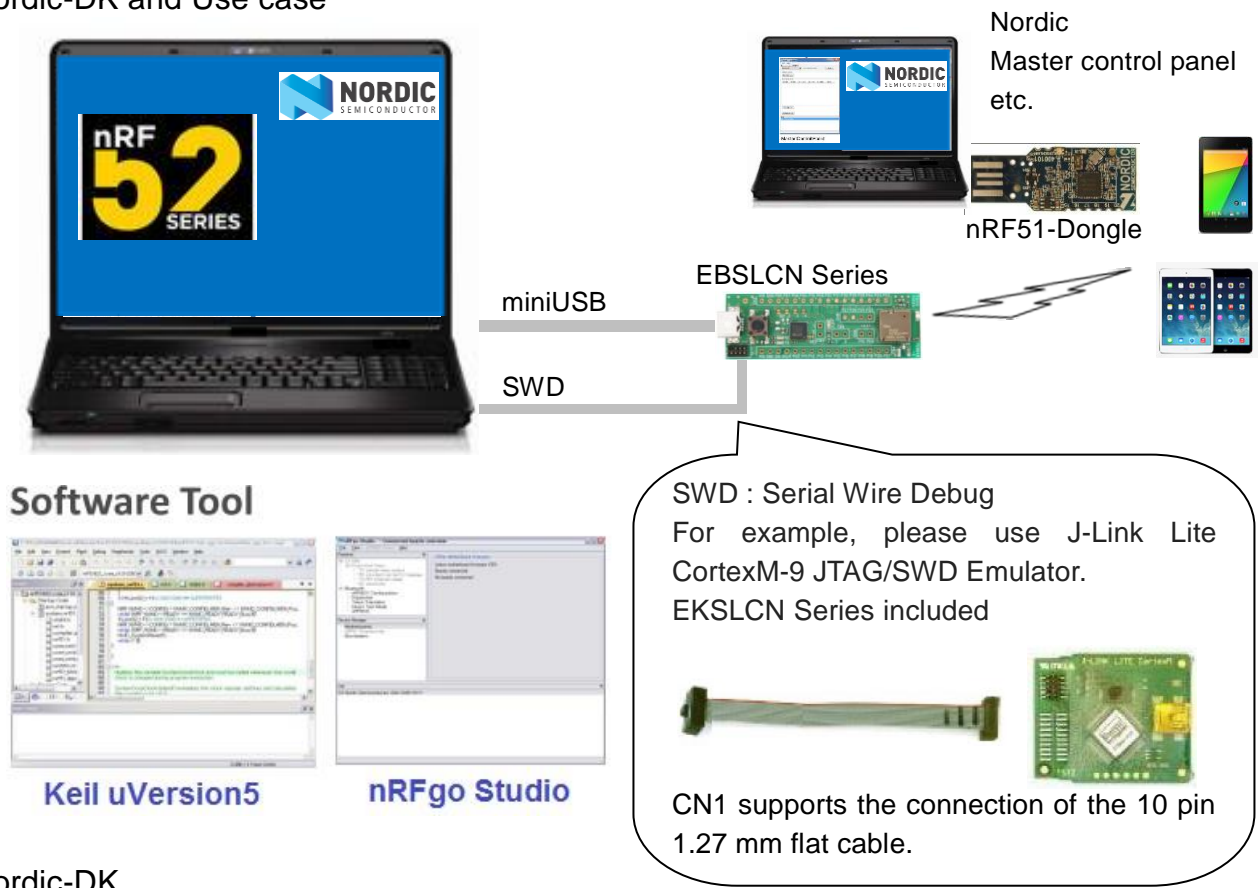
TAIYO YUDEN CO., LTD.

## How to use

It is very easy just to tie this board to the PC with a USB cable. It is not necessary to change the setting of the board. The power supply of the module supplies by default 3.3V from 3V3OUT of FT232RQ.

## For software development

Nordic-DK and Use case



Nordic-DK

<https://www.nordicsemi.com/eng/Products/Bluetooth-low-energy/nRF52-DK>

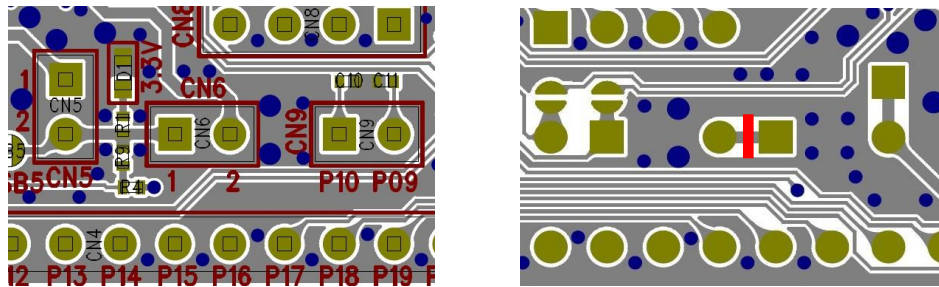
Nordic-nRF52DK



## MEMO

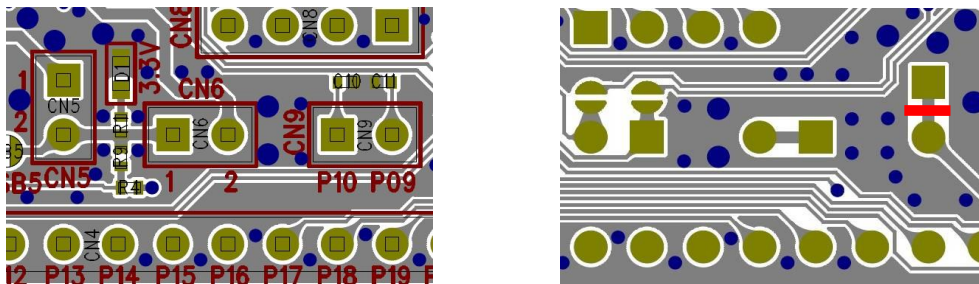
### 1) Current measurement

To measure the current, please cut the shorting 1pin and 2 pin of CN6. And connect an ampere-meter between the pins of connector CN6 to monitor the current directly.



### 2) About the power supply of the module

When you use external power supply, please supply power from 15 and 16pin of CN3. On this configuration, please cut the short circuit 1pin and 2pin of CN5 in order to separate 3V3OUT of FT232RQ.



### 3) USB to serial UART interface

It needs to install driver of FT232RQ to use USB for UART interface. The drivers are available on FTDI website.

<http://www.ftdichip.com/Drivers/D2XX.htm>

In addition, by the application development, please assign GPIO as follows.

GPIO	UART
P0.05	RTS
P0.06	TX
P0.07	CTS
P0.08	RX

# EBSLCN, EKSLCN

TAIYO YUDEN CO., LTD.

## 4) Size and Coordinate information

