



Product Change Notification Letter

Dear Trumeter Customer:

This letter is to inform you of changes to our 4816 series of electromechanical counter line that you have purchased in the past.

Models – P2-4816, P8-4816, V2-4816 and V8-4816

Trumeter is providing this information to you for future purchases. Please be aware that our 4816 series products will be obsolete once inventory is depleted.

Effective Date: August 1st, 2018

Detailed Information: Electromechanical counters that have a part number ending with 4816 will be obsolete. Our 4916 Series will be used as the replacement meter.

Sample: Available upon request

Notification: Description of Change: The 4916 series has slight dimensional changes from the 4816 series. Please see dimension differences in red. The model 4816 series could totalize 1000 counts per minutes whereas the 4916 series can totalize 600 counts per minute

Recommended Action: Update ordering codes to our 4916 series for future purchase orders, see cross reference guide.

Questions: Trumeter is committed to your total satisfaction and to providing high-quality, long-term support and service for our products. If you have questions or concerns, please contact:

- Kenneth Daglio - Product Manager at ken.daglio@trumeter.com

Kenneth Daglio
Product Manager



Trumeter | 702 S. Military Trail | Deerfield Beach | FL 33442
Office 954.449.4826 | Fax 954.449.4848 | web www.trumeter.com

Trumeter Company, Inc.
702 S. Military Trail
Deerfield Beach, FL 33442

tel 954.725.6699
fax 954.725.5599
email sales.usa@trumeter.com
web www.trumeter.com

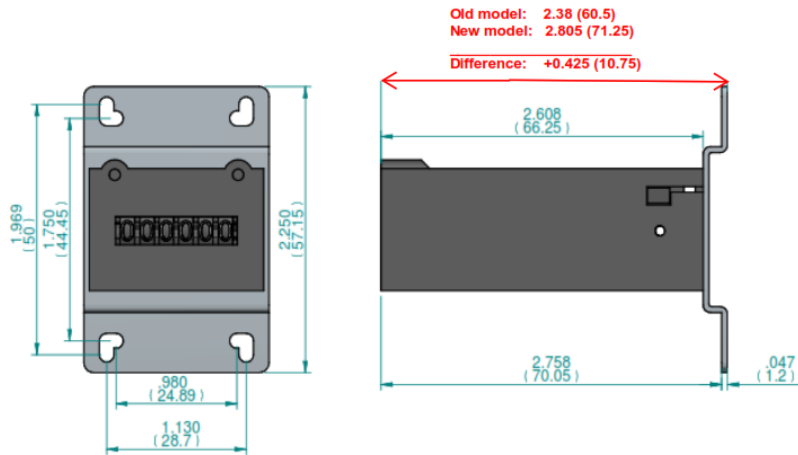
innovation by design

Cross reference guide

Trumeter Part Number	Description	New P49 Part Number
P2-4816	115AC, Panel Mnt, Non-Reset	P2-4916
P8-4816	24VDC, P PANELMNT, NON-RST	P8-4916
V2-4816	115AC, V Base Mnt, Non-Reset	RV2-4916
V8-4816	24DC, V Base Mnt, Non-Reset	RV8-4916

Dimensional Differences: Old model – 4816 Series New model – 4916 Series

Combo – Behind the panel/Base mount (RV)



Panel mount (P)

