

Low Profile D-Sub Cover

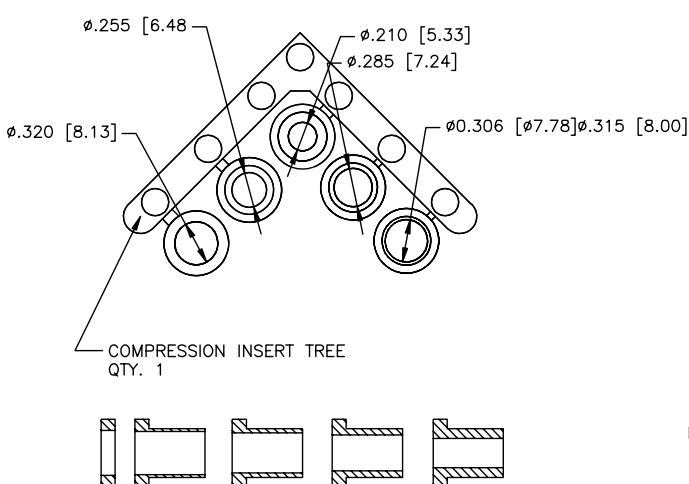
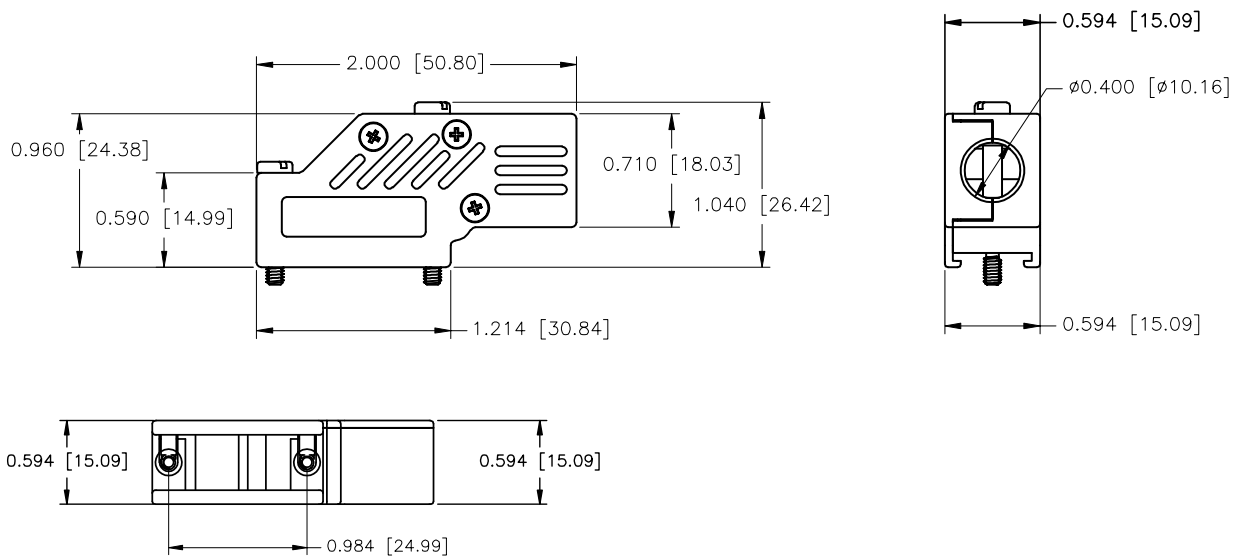


**RoHS
Compliant**

Specifications:



D-Sub Shell Size	: DE
Connector Body Material	: Zinc Alloy
Cable Exit Angle	: 90°
Accessory Type	: D-Sub Cover
Body Material	: Zinc Alloy
Body Plating	: Nickel
Connector Shell Size	: DE
Enclosure Material	: Zinc Alloy



#2-56 X 3/8"
PHILLIPS HEAD MACHINE SCREW
- STAINLESS STEEL QTY: 3
See Note A

#4-40 X 0.77" SLOTTED MATING SCREW
- LOW CARBON STEEL, NICKEL PLATED
QTY: 1 EACH

#4-40 X 1.14" SLOTTED MATING SCREW
- LOW CARBON STEEL, NICKEL PLATED
QTY: 1 EACH

Note A: 3 PCs. #2-56 x 7/16" Phillips head machine screw may be substitute in place of 3 PCs. #2-56 x 3/8" Phillips head machine screw.

Dimensions : Inches (Millimetres)

www.element14.com
www.farnell.com
www.newark.com



Low Profile D-Sub Cover



Connector Cover:

Material : Zinc Alloy
Finish : Nickel Plating Per NTC Specification N/T 000400
Tolerance : ± 0.015 " (0.381mm)

Compression Insert Tree

Material : Thermoplastic
Colour : Black
Durometer : 75 ± 5 type a per ASTM D2240
Tolerance : ± 0.02 " (0.508mm)

Part Number Table

Description	Part Number
9 Pin, Right Angle, Low Profile D-Sub Cover	SPC20348

Important Notice : This data sheet and its contents (the "Information") belong to the members of the Premier Farnell group of companies (the "Group") or are licensed to it. No licence is granted for the use of it other than for information purposes in connection with the products to which it relates. No licence of any intellectual property rights is granted. The Information is subject to change without notice and replaces all data sheets previously supplied. The Information supplied is believed to be accurate but the Group assumes no responsibility for its accuracy or completeness, any error in or omission from it or for any use made of it. Users of this data sheet should check for themselves the Information and the suitability of the products for their purpose and not make any assumptions based on information included or omitted. Liability for loss or damage resulting from any reliance on the Information or use of it (including liability resulting from negligence or where the Group was aware of the possibility of such loss or damage arising) is excluded. This will not operate to limit or restrict the Group's liability for death or personal injury resulting from its negligence. Multicomp is the registered trademark of the Group. © Premier Farnell Limited 2016.

www.element14.com
www.farnell.com
www.newark.com

