

# DLW32SH110XK2#

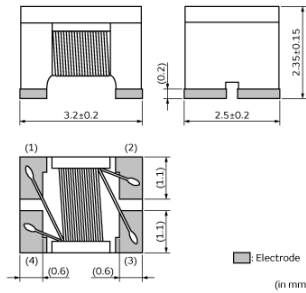
“#” indicates a package specification code.



< List of part numbers with package codes >

DLW32SH110XK2B DLW32SH110XK2L

## Appearance & Shape



## Features

DLW32S series is a high performance wound type chip common mode choke coil.

### Features

1. Suitable for noise suppression at car area networks like CAN (Controller Area Network) bus.
2. DLW32S has high common mode impedance so it is suitable for noise suppression through wide frequency range.
3. Wide operating temperature range (-40 to +125 degrees C)

### Applications

Noise suppression at car area networks like CAN bus or car navigation system.

## Applications

Automotive Usage	Powertrain/Safety
------------------	-------------------

## Packaging Information

Packaging	Specifications	Minimum Order Quantity
B	Bulk(Bag)	500
L	180mm Embossed Tape	1500

### Attention

1. This datasheet is downloaded from the website of Murata Manufacturing Co., Ltd. Therefore, its specifications are subject to change or our products in it may be discontinued without advance notice. Please check with our sales representatives or product engineers before ordering.
2. This datasheet has only typical specifications because there is no space for detailed specifications. Therefore, please review our product specifications or consult the approval sheet for product specifications before ordering.

# DLW32SH110XK2#

“#” indicates a package specification code.



## Specifications

Shape	SMD	Number of Circuit	1
Size Code (in mm)	3225	Common Mode Inductance	11μH-30%/+50% (at 0.1MHz)
Size Code (in inch)	1210	Operating Temperature Range(Self-temperature rise is included)	No
Length	3.2mm		
Length Tolerance	±0.2mm		
Width	2.5mm		
Width Tolerance	±0.2mm		
Thickness	2.35mm		
Thickness Tolerance	±0.15mm		
Rated Current	300mA		
Rated Voltage	80Vdc		
Withstanding Voltage	200Vdc		
DC Resistance(max.)	0.4Ω		
DC Resistance	0.4Ω max.		
Insulation Resistance(min.)	10MΩ		
Operating Temperature Range	-40°C to 125°C		
Mass(typ.)	0.072g		

### Attention

1.This datasheet is downloaded from the website of Murata Manufacturing Co., Ltd. Therefore, it's specifications are subject to change or our products in it may be discontinued without advance notice. Please check with our sales representatives or product engineers before ordering.

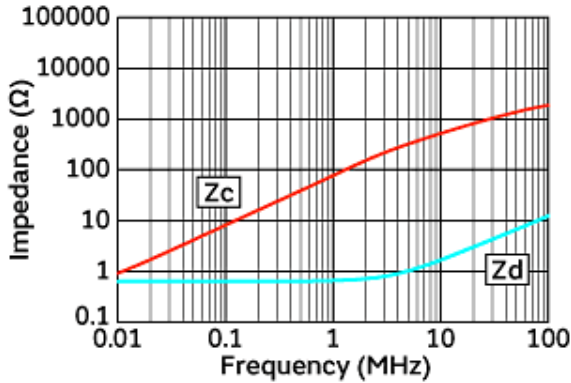
2.This datasheet has only typical specifications because there is no space for detailed specifications.

Therefore, please review our product specifications or consult the approval sheet for product specifications before ordering.

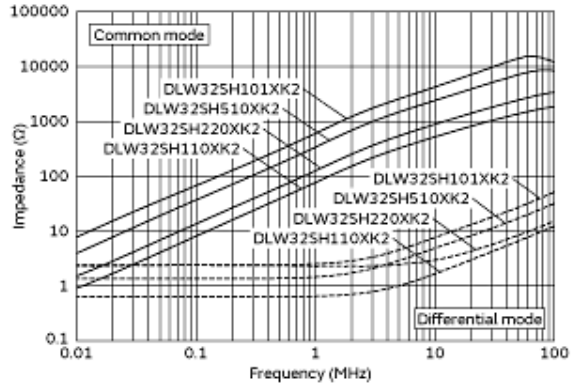
# DLW32SH110XK2#

"#" indicates a package specification code.

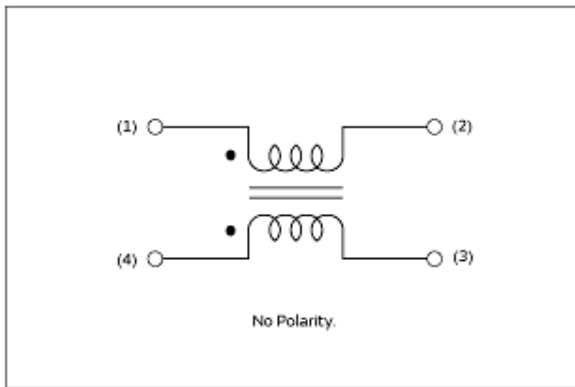
## Product Data



Impedance-Frequency Characteristics



Impedance-Frequency Characteristics (Main Items)



Equivalent Circuit

**Attention**

1. This datasheet is downloaded from the website of Murata Manufacturing Co., Ltd. Therefore, its specifications are subject to change or our products in it may be discontinued without advance notice. Please check with our sales representatives or product engineers before ordering.
2. This datasheet has only typical specifications because there is no space for detailed specifications. Therefore, please review our product specifications or consult the approval sheet for product specifications before ordering.