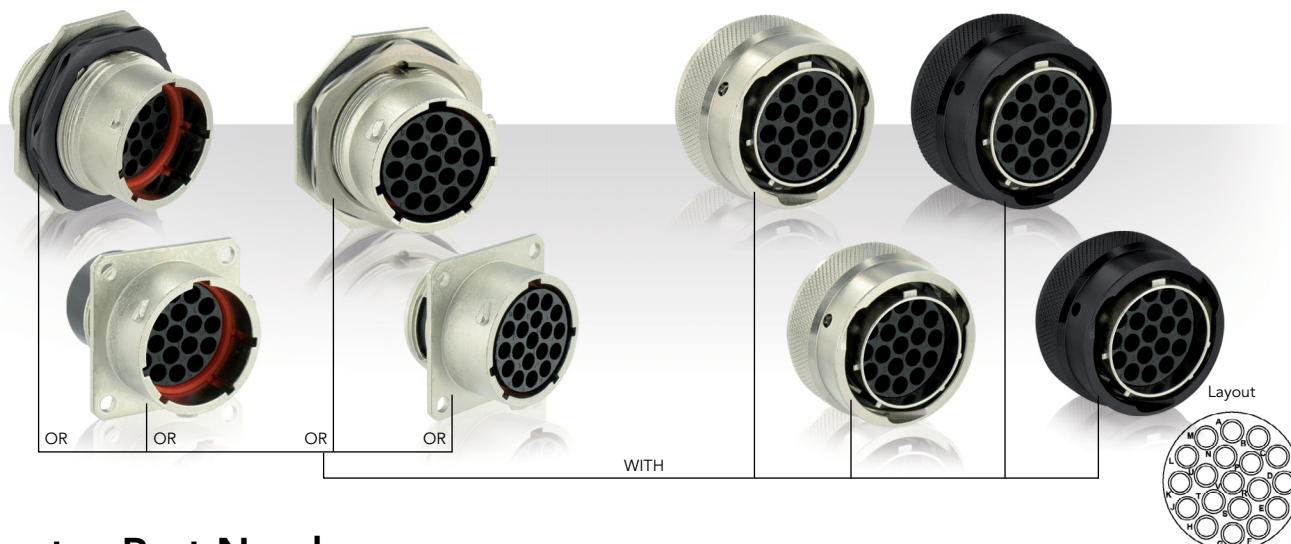


1619 (Shell size 16, 19x#16)



Connector Part Numbers

Drilling pattern see page 177

Contact type	Connector type	Sealing	Salt spray	Part number*	
				Male insert	Female insert
Contacts supplied separately see page 79	Square flange receptacle	IP67	96h	UT001619PH	UT001619SH
		IP68 & IP69K	96h	UT001619PH6	UT001619SH6
	Plug	IP67, IP68 & IP69K	48h	UT061619PH	UT061619SH
		IP67, IP68 & IP69K	96h	UT061619PH02 (Black)	UT061619SH02 (Black)
	Jam nut receptacle	IP67	48h	UT071619PH	UT071619SH
		IP68 & IP69K	48h	UT071619PH6	UT071619SH6
		IP67	96h	UT071619PH01	UT071619SH01
		IP68 & IP69K	96h	UT071619PH601	UT071619SH601

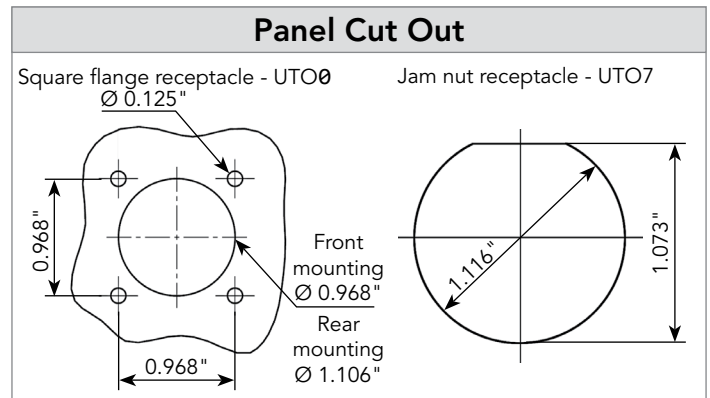
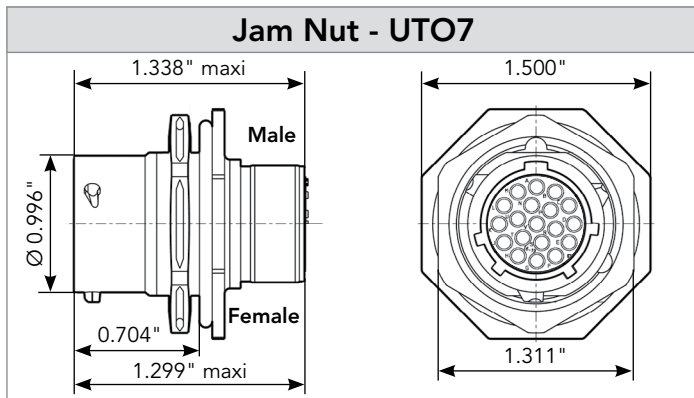
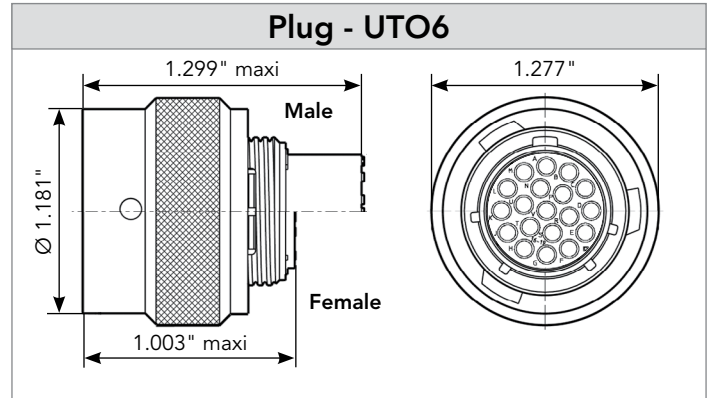
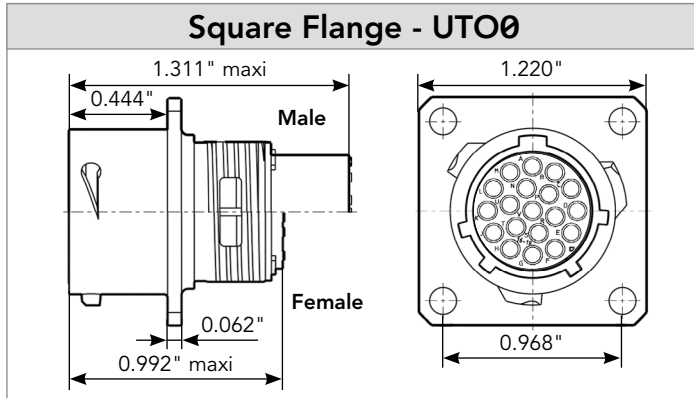
* Other discrimination keying option, see page 180

Backshells

Backshell type	Shielding	Cable range (Ø inch) min/max	Part number	
			Short version	Long version
Short cable gland with strain relief nut for water protected applications (IP68 & IP69K) (Fig.1)	-	0.374"/0.551"	UT016JCS	UT016JC
Short cable gland with large strain relief nut for water protected applications (IP68 & IP69K) (Fig.2)	-	0.452"/0.708"	UT016JCSL	UT016JCL
Short shielded cable gland with strain relief nut for water protected applications (IP68 & IP69K) (Fig.3)	✓	0.393"/0.570"	UT0S16JCS	UT0S16JC
Short shielded cable gland with large strain relief nut for water protected applications (IP68 & IP69K) (Fig.4)	✓	0.531"/0.708"	UT0S16JCSL	UT0S16JCL
Metal cable clamp with strain relief (Fig.5)	-	0.511"	UT016AC	
Metal shrink boot adaptor (Fig.6)	-	-	UT016AD	
Metal right angle cable clamp with strain relief nut (Fig.7)	-	0.255"/0.629"	UT016LPGN	
Shielded cable clamp with plastic strain relief nut (Fig.8)	✓	0.255"/0.629"	UT0S16JCPGN	
Cable clamp with plastic strain relief nut (Fig.8)	-	0.255"/0.629"	UT016JCPGN	

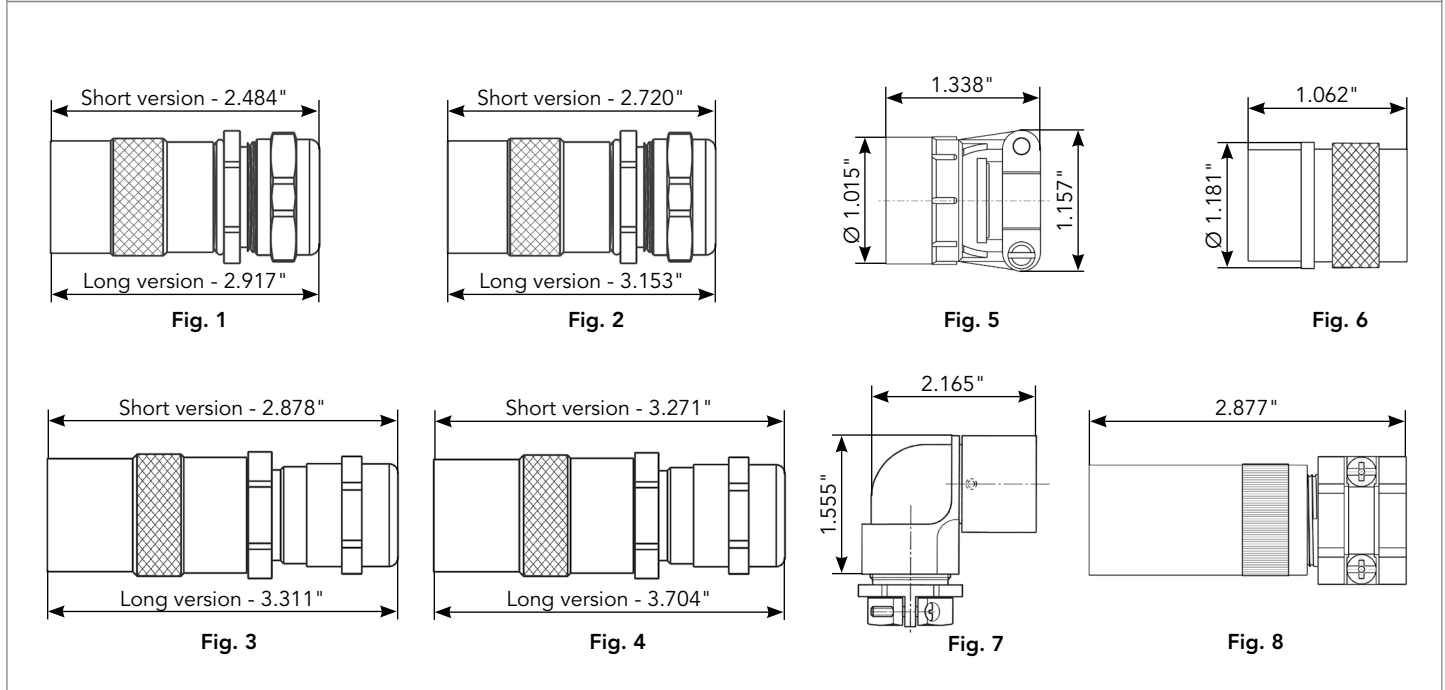
1619 (Shell size 16, 19x#16)

Dimensions



19

Backshells (for Mated Connector Length: See Page 153)



Note: all dimensions are in inches