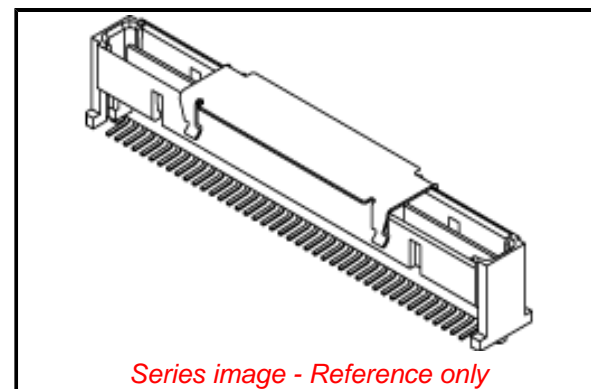


PLEASE CHECK WWW.MOLEX.COM FOR LATEST PART INFORMATION

Part Number: [0717410002](#)
Status: **Active**
Overview: [PMC Mezzanine Connectors](#)
Description: 1.00mm Pitch Mezzanine Plug, Surface Mount, Dual Row, Vertical Stacking, 84 Circuits, 8.30mm Unmated Height, with PCB Locator Pegs, with Robotic Placement Metal Cap, 0.25µm Gold (Au) Selective Plating, Embossed Tape on Reel

Documents:

[3D Model](#) [Packaging Specification PK-70873-063 \(PDF\)](#)
[Drawing \(PDF\)](#) [RoHS Certificate of Compliance \(PDF\)](#)
[Product Specification PS-71741-9999-001 \(PDF\)](#)



Agency Certification

CSA LR19980
 UL E29179

General

Product Family PCB Headers
 Series [71741](#)
 Application Board-to-Board, Signal
 Overview [PMC Mezzanine Connectors](#)
 Product Name PMC Mezzanine
 UPC 800755014464

Physical

Breakaway No
 Circuits (Loaded) 84
 Circuits (maximum) 84
 Color - Resin Natural
 Flammability 94V-0
 Glow-Wire Capable No
 Lock to Mating Part None
 Mated Height 10.00mm, 15.00mm
 Material - Metal Phosphor Bronze
 Material - Plating Mating Gold
 Material - Plating Termination Tin
 Material - Resin High Temperature Thermoplastic
 Net Weight 1.168/g
 Number of Rows 2
 Orientation Vertical
 PCB Locator Yes
 PCB Retention None
 Packaging Type Embossed Tape on Reel
 Pitch - Mating Interface 1.00mm
 Plating min - Mating 0.254µm
 Plating min - Termination 1.016µm
 Robotic Placement Pick and Place Cap
 Shrouded Fully
 Stackable No
 Temperature Range - Operating -55°C to +85°C
 Termination Interface: Style Surface Mount

Electrical

Current - Maximum per Contact 1.0A
 Voltage - Maximum 100V

Solder Process Data

Lead-freeProcess Capability REFLOW

EU ELV

Not Relevant

EU RoHS

Compliant

REACH SVHC

Not Contained Per
 -ED/01/2018 (15
 January 2018)

Halogen-Free

Status

Low-Halogen

Need more information on product environmental compliance?

Email productcompliance@molex.com
 Please visit the [Contact Us](#) section for any non-product compliance questions.

China ROHS	Green Image
ELV	Not Relevant
RoHS Phthalates	Not Contained

Search Parts in this Series

[71741](#) Series

Mates With

[71742](#) 1.00mm Pitch Mezzanine Receptacle.
 Be sure to match like stack heights

Process Temperature max. C

260

Material Info

Reference - Drawing Numbers

Packaging Specification

PK-70873-063

Product Specification

PS-71741-9999-001

Sales Drawing

717410000-000, SDA-71741-0***

This document was generated on 05/15/2018

PLEASE CHECK WWW.MOLEX.COM FOR LATEST PART INFORMATION