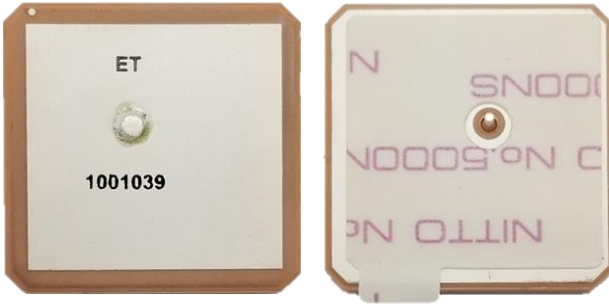


Part No. 1001039
GPS Ceramic Patch Antenna
1.575 GHz
Supports: Tracking, Smart Home, Agriculture, Automotive, Healthcare, Digital Signage, Wearables, Industrial Devices



Ethertronics' antennas deliver on the key needs of device designers for higher functionality and performance in smaller/thinner designs. These innovative antennas provide compelling advantages for GPS enabled handheld devices, media players and other mobile devices.

GPS Ceramic Patch Antenna
1.575 GHz

KEY BENEFITS

Reduced Costs and Time-to-Market
Standard antenna eliminates design fees and cycle time associated with a custom solution; getting products to market faster.

Quicker Time-to-Market
By optimizing antenna size, performance and emissions, customer and regulatory specifications are more easily met.

Reliability
Products are the latest RoHS version compliant.

APPLICATIONS

- Embedded design
- POS, Headsets, Tablets
- Gateway, Access Point
- Handheld
- Telematics
- Tracking
- Healthcare
- M2M, Industrial devices
- Smart Grid
- OBD-II

Electrical Specifications

Typical Characteristics, on 70 x 70 mm ground plane

Frequency	1.575 GHz
Center Frequency f_0	1575 ± 3.0 MHz
Return Loss	< -20 dB
Gain 0° XZ-Plane	5.3 dBic
Polarization	R.H.C.P
Impedance	50 ohm
Axial Ratio	1.8 dB

Mechanical Specifications & Ordering Part Number

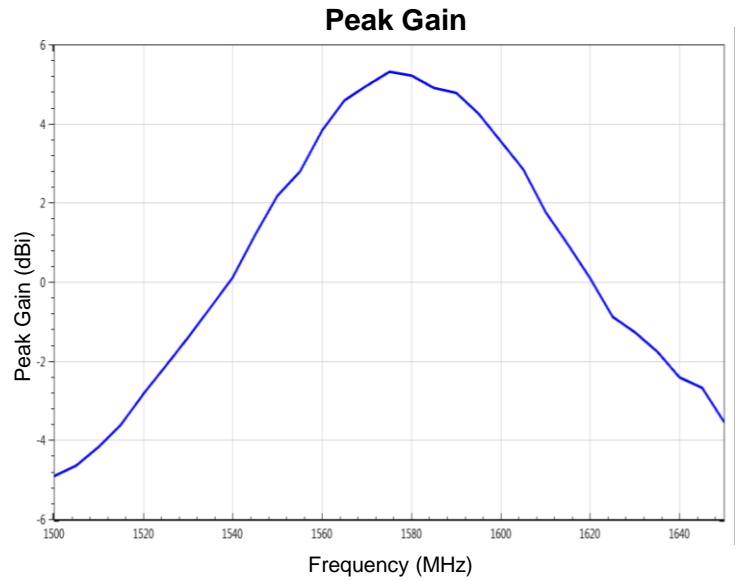
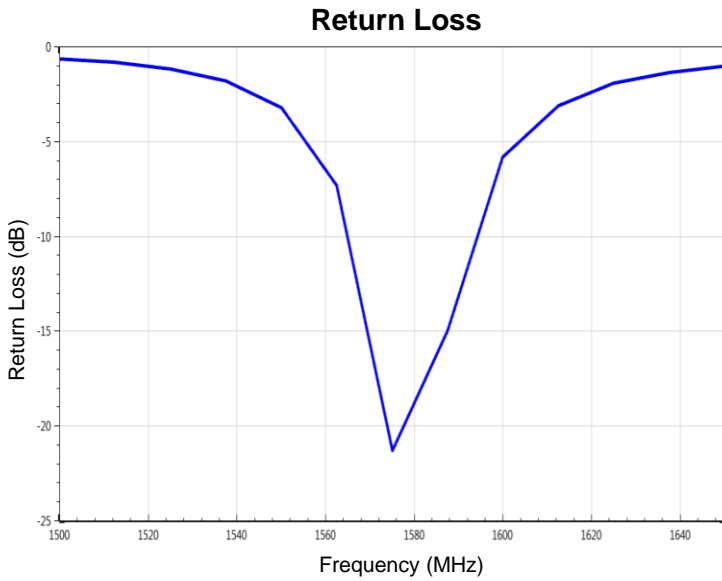
Ordering Part Number	1001039
Size (mm)	25.0 x 25.0 x 4.5
Mounting (mm)	Adhesive (Nitto 5000NS 22 x 22 x 0.16) & 1 through-hole Soldered Pin
Weight (grams)	9.4
Packaging	Plastic Tray



1.575 GHz Ethertronics' Embedded Antenna Specifications.
Ethertronics produces a wide variety of standard and custom antennas to meet user needs.

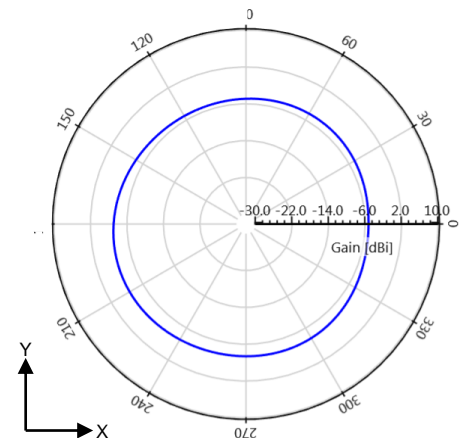
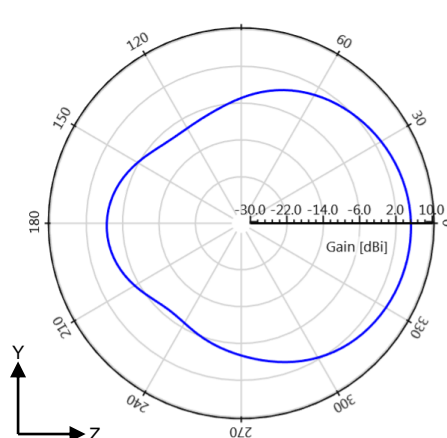
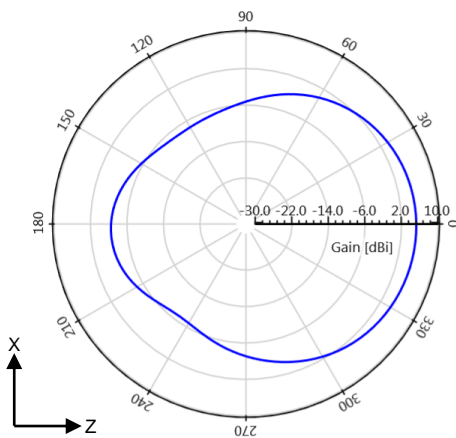
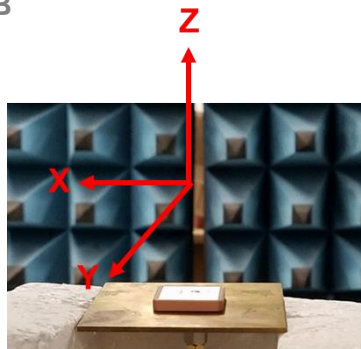
VSWR and Peak Gain Plots

Typical performance on 70 x 70 mm PCB



Antenna Radiation Patterns

Typical performance on 70 x 70 mm PCB
Measured @ 1575 MHz



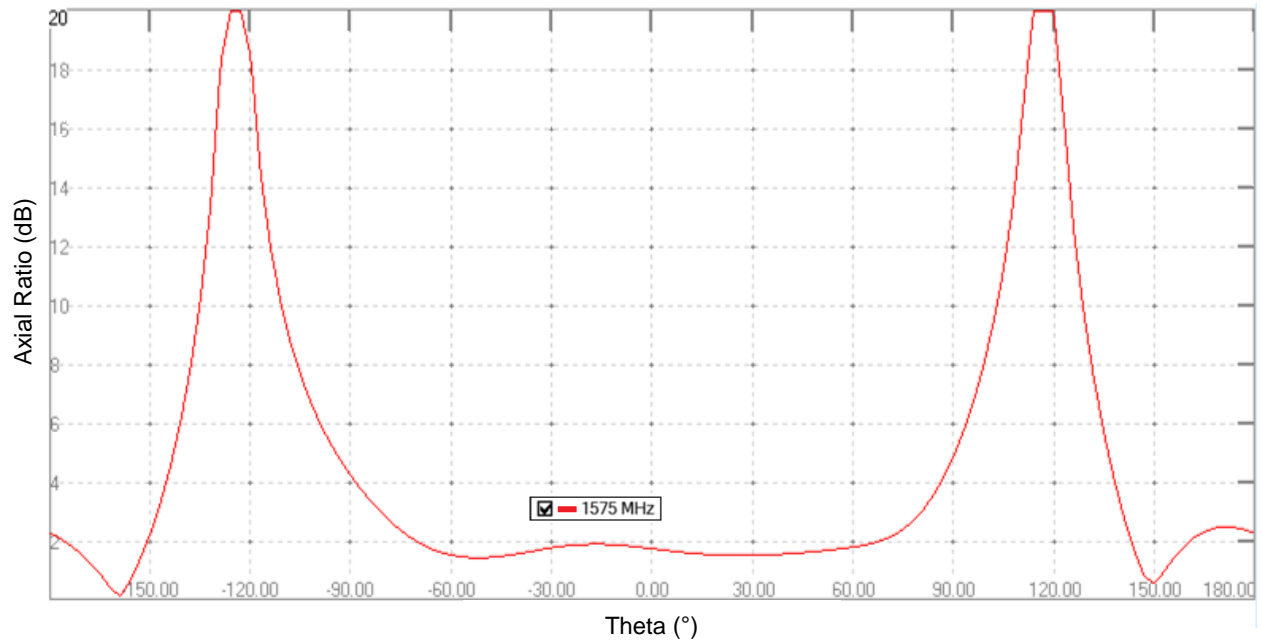


1.575 GHz Ethertronics' Embedded Antenna Specifications.
Ethertronics produces a wide variety of standard and custom antennas to meet user needs.

Axial Ratio, RHCP, LHCP Plots

Typical performance on 70 x 70 mm PCB
Measured @ 1575 MHz

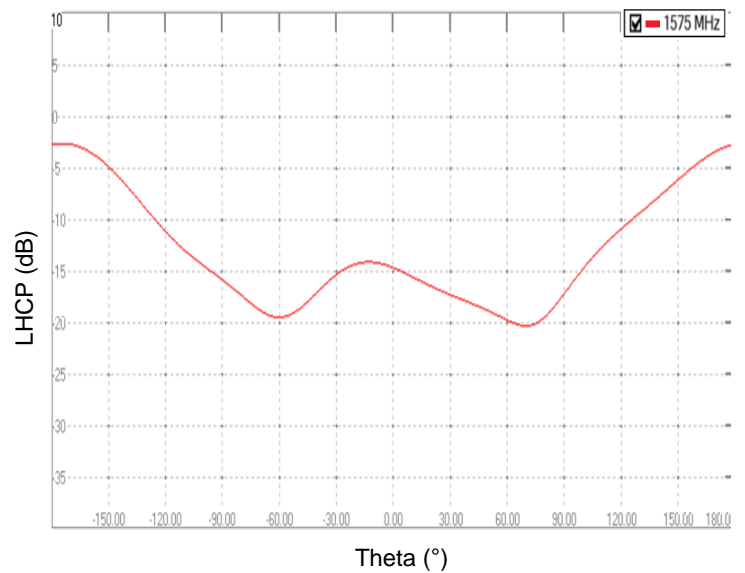
Phi = 0



RHCP



LHCP



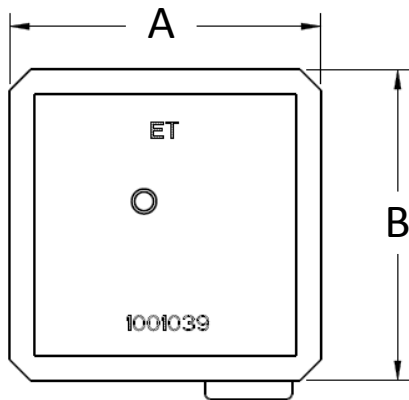


1.575 GHz Ethertronics' Embedded Antenna Specifications.
Ethertronics produces a wide variety of standard and custom antennas to meet user needs.

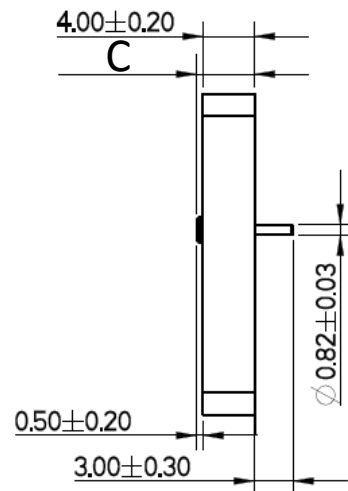
Mechanical Dimensions

Typical antenna dimensions, in mm.

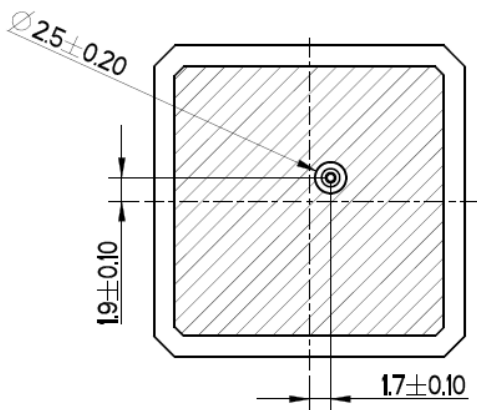
Part Number	A (mm)	B (mm)	C (mm)
1001039	25.0 ± 0.2	25.0 ± 0.2	4.5 ± 0.4



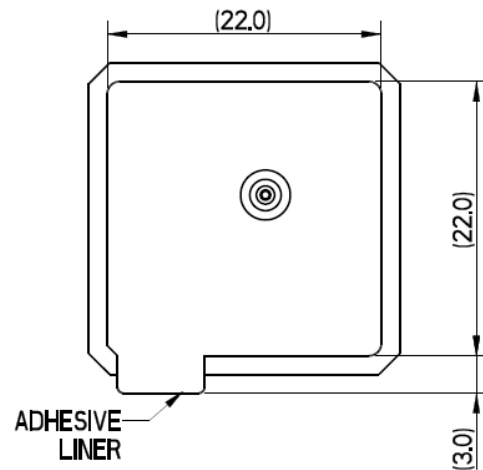
Top View



Side View



Bottom View



**Adhesive Liner View
(Bottom)**