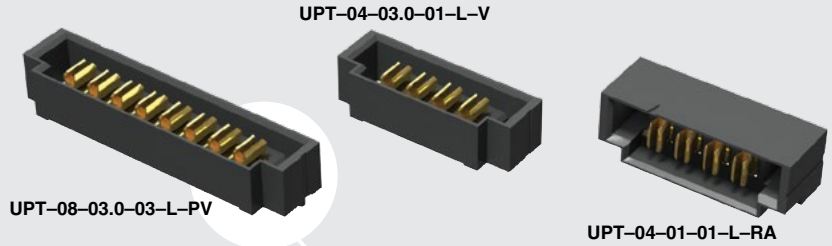




POWER STRIP 20



(3.81 mm) .150"

UPT SERIES

DUAL BLADE 20 A POWER HEADER

SPECIFICATIONS

For complete specifications see www.samtec.com?UPT

Insulator Material: Black LCP

Terminal Material: BeCu

Plating: Sn or Au over 50 μ" (1.27 μm) Ni

Operating Temp Range: -55 °C to +105 °C with Tin; -55 °C to +125 °C with Gold

Voltage Rating: 438 VAC/620 VDC

Standard Creepage: (5.5 mm) .217" (with -V) (2.97 mm) .117" (with -RA)

Standard Clearance: (1.51 mm) .059"

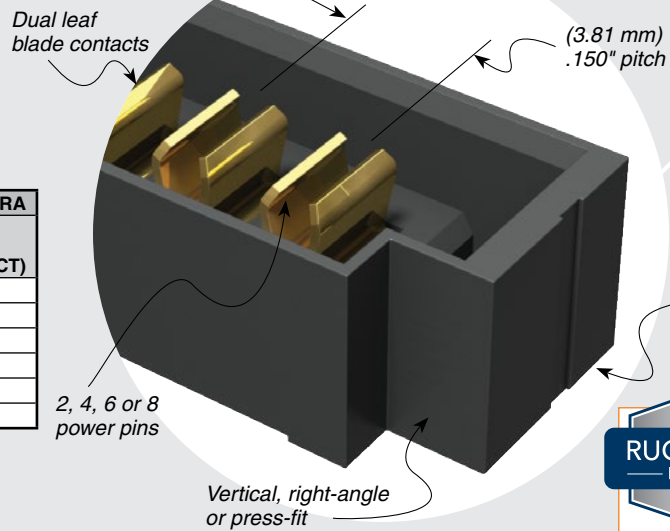
RoHS Compliant: Yes

Lead-Free Solderable: Wave only (-V, -RA options)

Mates with: UPS

PINS	UPT-V/UPS-V	UPT-RA/UPS-RA
	CURRENT RATING (PER CONTACT)	CURRENT RATING (PER CONTACT)
1	23 A	23.5 A
2	18.6 A	20.1 A
3	17.5 A	16.9 A
4	16.7 A	15.5 A
8	14 A	13.3 A

-L PLATING



RUGGEDIZED
BY SAMTEC

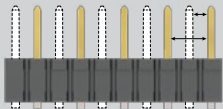
• Locking clip option

RECOGNITIONS

For complete scope of recognitions see www.samtec.com/quality



CREEPAGE AND CLEARANCE



Selectively loading contacts achieves customer specific creepage and clearance requirements. Contact asp@samtec.com

ALSO AVAILABLE (MOQ Required)

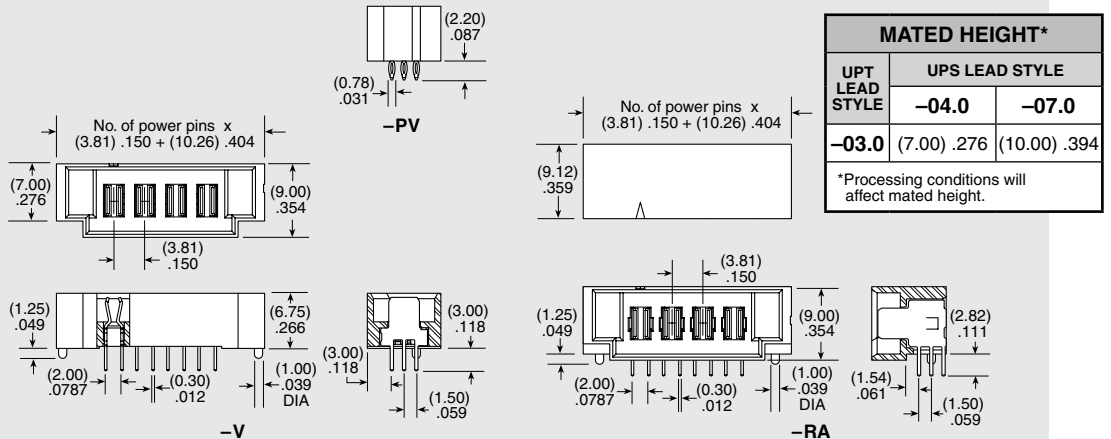
- Solder leads for (2.36 mm) .093" thick board Contact Samtec.

TOOLING

Press-fit tooling available. Contact Samtec.

Note: Some sizes, styles and options are non-standard, non-returnable.

UPT	POWER PINS	LEAD STYLE	TAIL LENGTH	PLATING OPTION	TAIL	OTHER OPTION
-02, -04, -06, -08	-01 = RA only -03.0 = (03.0 mm) .118" (-V & -PV only)	-01 = Use with (1.60 mm) .062" Thick PCB (-V & -RA only) -03 = Use with (1.60 mm) .062" Thick PCB (-PV only)	-L = 10 μ" (0.25 μm) Gold on contact, Matte Tin on tail -T = Matte Tin (-RA option only)	-V = Vertical (Not available with -T plating) -RA = Right-angle -PV = Press-fit, Vertical	-LC = Locking Clip (Manual placement required) Not available with -PV option	



Due to technical progress, all designs, specifications and components are subject to change without notice.

WWW.SAMTEC.COM

All parts within this catalog are built to Samtec's specifications. Customer specific requirements must be approved by Samtec and identified in a Samtec customer-specific drawing to apply.