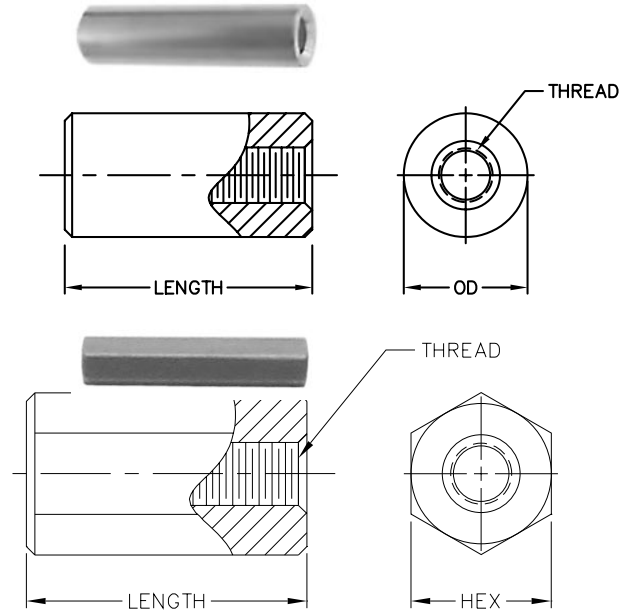


# Nylon Round, Hex & Male/Female Standoffs

## ROUND THREADED

LENGTH	O.D.	#4-40	#6-32	#8-32	#10-32
.250	1/4	1/4	4050	4051	4052
		5/16			4071C
		3/8			4072C
.375	3/8	1/4	4053	4054	4055
		5/16			4071E
		3/8			4072E
.500	1/2	1/4	4056	4057	4058
		5/16			4071G
		3/8			4072G
.625	5/8	1/4	4050J	4051J	
		5/16			4071J
		3/8			4072J
.750	3/4	1/4	4059	4060	4061
		5/16			4071L
		3/8			4072L
.875	7/8	1/4	4050N	4051N	
		5/16			4071N
		3/8			4072N
1.000	1	1/4	4062	4063	4064
		5/16			4071Q
		3/8			4072Q

- An excellent insulator, the nylon spacer's surface lubricity allows wires to be routed against spacer without fear of chafing the insulation.
- Natural (milky white) finish.



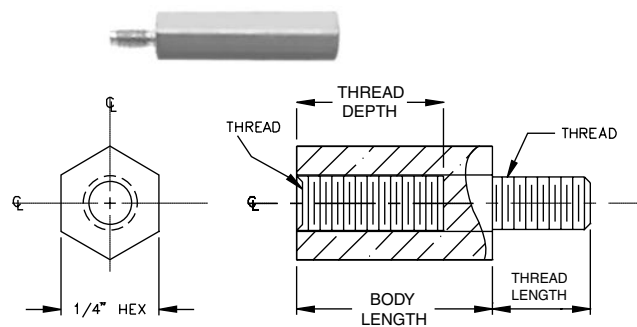
## HEX THREADED

LENGTH	O.D.	#4-40	#6-32	#8-32
.250	1/4	4300	4301	4302
.375	3/8	4303	4304	4305
.500	1/2	4306	4307	4308
.625	5/8	4300J	4301J	4073J
.750	3/4	4309	4310	4311
.875	7/8	4312	4313	4314
1.000	1	4315	4316	4317

Maximum Thread Depth				
Thread Size	4-40	6-32	8-32	10-32
Thread Length Tapped Thru	1"	1"	1"	1"
Thread Length Tap each end	1/4"	7/16"	7/16"	1/2"

## HEX MALE / FEMALE

LENGTH	O.D.	#4-40	#6-32	#8-32
.250	1/4	4375	4376	4377
.375	3/8	4378	4379	4380
.500	1/2	4381	4382	4383
.625	5/8	4384	4385	4386
.750	3/4	4387	4388	4389
.875	7/8	4390	4391	4392
1.000	1	4393	4394	4395
1.125	1-1/8	4396	4397	4398
1.250	1-1/4	4399	4400	4401
1.375	1-3/8	4402	4403	4404
1.500	1-1/2	4405	4406	4407
1.625	1-5/8	4408	4409	4410
1.750	1-3/4	4411	4412	4413
2.000	2	4414	4415	4416



Thread Specs for Male/Female Standoffs (min)			
Thread Size	Body Length	Thread Depth	Thread Length
4-40	1/4"	1/8"	3/16"
	3/8" to 2"	1/4"	3/16"
6-32 & 8-32	1/4"	1/8"	1/4"
	3/8"	1/4"	1/4"
	1/2"	11/32"	3/8"
	5/8"-2"	3/8"	3/8"