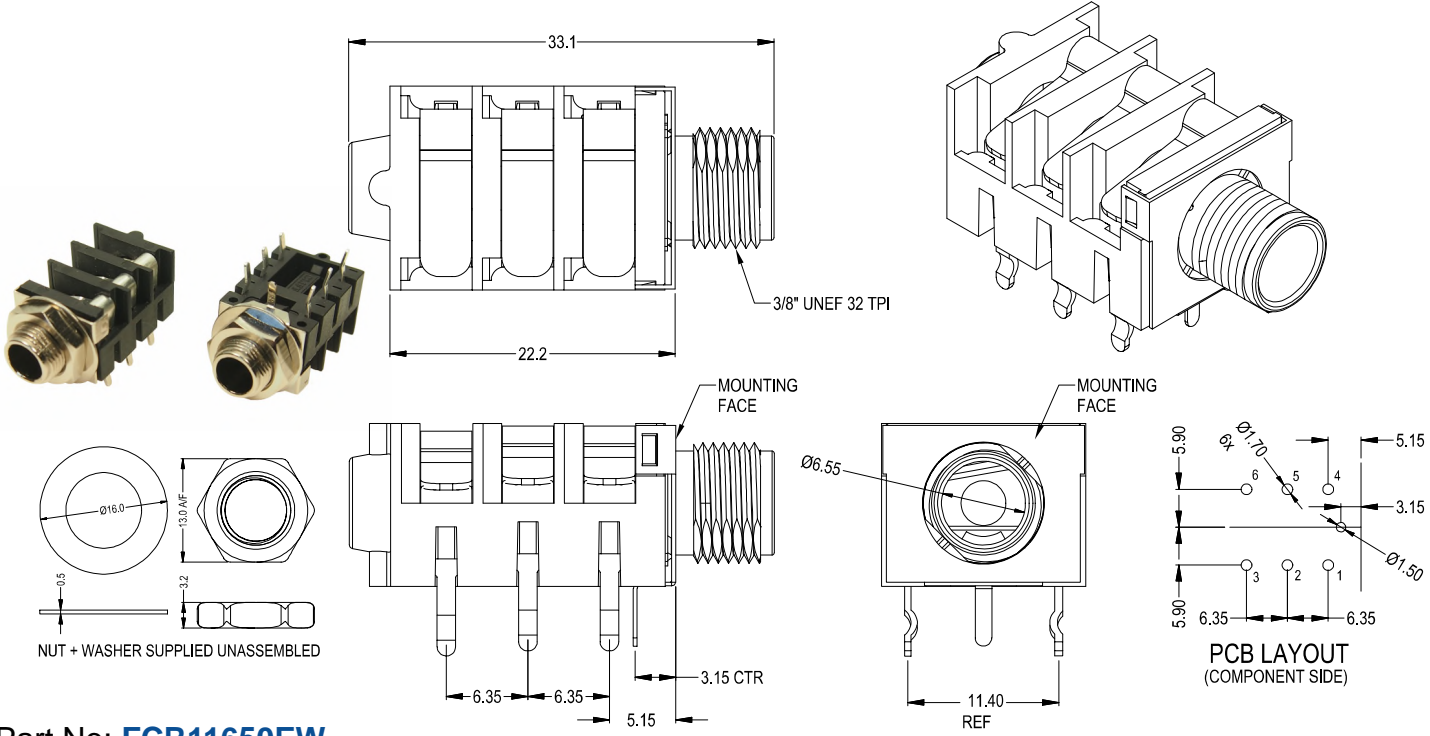




METAL NOSE 6.35mm JACK SOCKET



Part No: **FCR11650EW**

Pin 4 always in contact with metal nose / EW

This 6.35mm Stereo jack socket has a metal nose and removable front earth washer. The body material is PBT UL V0 with an aluminium nose, and the contact material is brass / nickel plated. It has kinked PC legs for easy board assembly and is supplied with a washer and nut separate.