

CONNECT AND PROTECT

Front Panels


nvent

SCHROFF

Modules – Front panels

OVERVIEW

MAIN KATALOG

- Cabinets 1
- Wall mounted cases 2
- Accessories for cabinets and wall mounted cases . . . 3
- Climate control . . . 4
- Electronics cases 5
- Subracks/ 19" chassis 6
- Front panels, plug-in units 7
- Systems 8
- Power supply units 9
- Backplanes 10
- Connectors, front panel component system 11
- Appendix 12



STANDARDS

- IEC 60297-3-101/IEEE 1101.1/10

SERVICEPLUS

- e.g. individual colouring
- e.g. customised cut-outs
- e.g. printing
- e.g. mounting service
- e.g. special dimensions

04292001



32304003

04210001 04603009

Modules – Front panels

OVERVIEW

FRONT PANELS FOR FITTING IN SUBRACKS, CASES AND SYSTEMS

- Extensive standard range with various finishes and materials (aluminium or stainless steel)
- Front Panel Express:
Fast delivery service of customised versions (from 2 days)
- EMC shielding retrofittable



FRONT PANELS, UNSHIELDED

- Aluminium, clear anodised
- Aluminium, clear pre-anodised, cut edge untreated
- Aluminium, front anodised, rear iridescent green chromated
- Other finishes on request



FRONT PANELS SHIELDABLE, FLAT

- With lateral grooves to fit EMC gaskets (stainless steel)
- Compatible with the shielded U profile version



FRONT PANELS, SHIELDABLE, U PROFILE

- With lateral groove to fix a textile self-adhesive EMC gasket
- Compatible with the shielded flat version
- High robustness through U profile



FURTHER FRONT PANELS

- Hinged/folding front panels
- Front panels with GND/earthing
- Mezzanine front panels
- AdvancedTCA front panels
- MicroTCA front panels
- AdvancedMC front panels

Overview 7.2

Front panels
Unshielded 7.4
Shieldable 7.5
EMC stainless steel
gaskets 7.6
Assembly tool 7.6

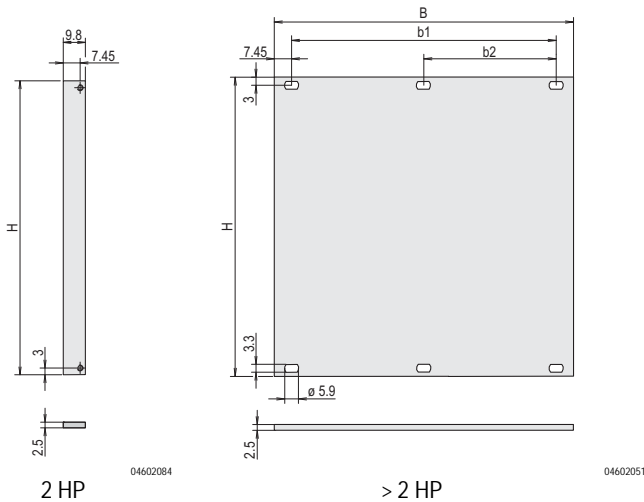
Front panels
Shieldable
(U profile) 7.7
EMC textile gasket 7.6

Further front panels
Hinged 7.8
Hinged, shielded 7.9
For D-Sub
connectors 7.10
For Coax
connectors 7.11
3 U with GND/
earthing 7.11
Mezzanine front
panels 7.12

Assembly kit 7.107
AdvancedTCA front
panels 8.12
MicroTCA front
panels 8.65
AdvancedMC front
panels 8.60

Modules – Front panels

FRONT PANELS, UNSHIELDED



- Front panel, Al, 2.5 mm
- Versions:
 - Al, anodised
 - Al, anodised, cut edges plain
 - Al, front anodised, rear iridescent green chromated

NOTE

- Other sizes and finishes available on request
- Please order fixing material separately, see chapter Assembly parts, page 7.107

ORDER INFORMATION

Height	H	Width	B	b1	b2	Qty	Anodised, cut edges plain	Anodised	Front anodised, rear colorless chromated
U	mm	HP	mm	mm	mm	1)	Part no.	Part no.	Part no.
1	39.5	84	426.4	411.5	203.2	1	–	–	20850-426
2	84.0	84	426.4	411.5	203.2	1	30818-271	30807-416	30847-461
3	128.4	2	9.8	–	–	1 (SPQ 5) ¹⁾	30810-433	30810-432	30847-470
3	128.4	3	14.9	–	–	1 (SPQ 5) ¹⁾	30818-272	30807-508	30847-471
3	128.4	4	20.0	–	–	1 (SPQ 5) ¹⁾	30818-273	30807-481	30838-043
3	128.4	5	25.0	–	–	1 (SPQ 5) ¹⁾	30818-274	30807-510	30838-044
3	128.4	6	30.1	–	–	1 (SPQ 5) ¹⁾	30818-275	30807-482	30838-045
3	128.4	7	35.2	–	–	1 (SPQ 5) ¹⁾	30818-276	30807-509	30838-046
3	128.4	8	40.3	25.4 ²⁾	–	1 (SPQ 5) ¹⁾	30818-277	30807-484	30838-047
3	128.4	10	50.5	35.6	–	1 (SPQ 5) ¹⁾	30818-279	30807-483	30838-049
3	128.4	12	60.6	45.7	–	1 (SPQ 5) ¹⁾	30818-281	30807-485	30838-051
3	128.4	14	70.8	55.9	–	1 (SPQ 5) ¹⁾	30818-282	30807-501	30838-053
3	128.4	21	106.3	91.4	–	1 (SPQ 5) ¹⁾	30818-289	30807-487	30838-060
3	128.4	28	141.9	127.0	–	1 (SPQ 5) ¹⁾	30818-296	30807-496	30838-067
3	128.4	42	213.0	198.1	101.6 ²⁾	1	30818-310	30807-494	30838-081
3	128.4	63	319.7	304.8	157.5	1	30818-331	30808-067	30838-102
3	128.4	84	426.4	411.5	203.2	1	30818-352	30807-506	30838-123
4	172.9	84	426.4	411.5	203.2	1	30818-434	30807-596	30847-465
6	261.8	2	9.8	–	–	1 (SPQ 5) ¹⁾	30818-747	30818-741	30847-472
6	261.8	4	20.0	–	–	1 (SPQ 5) ¹⁾	30818-518	30807-778	30838-124
6	261.8	5	25.0	–	–	1 (SPQ 5) ¹⁾	30818-519	30807-777	30838-125
6	261.8	6	30.1	–	–	1 (SPQ 5) ¹⁾	30818-520	30807-752	30838-126
6	261.8	7	35.2	–	–	1 (SPQ 5) ¹⁾	30818-521	–	30838-127
6	261.8	8	40.3	25.4 ²⁾	–	1 (SPQ 5) ¹⁾	30818-522	30807-779	30838-128
6	261.8	10	50.5	35.6	–	1 (SPQ 5) ¹⁾	30818-524	30807-753	30838-130
6	261.8	12	60.6	45.7	–	1 (SPQ 5) ¹⁾	30818-526	30807-755	30838-132
6	261.8	14	70.8	55.9	–	1 (SPQ 5) ¹⁾	30818-528	30807-758	30838-134
6	261.8	16	80.9	66.0	–	1 (SPQ 5) ¹⁾	30818-530	30807-780	30838-136
6	261.8	21	106.3	91.4	–	1 (SPQ 5) ¹⁾	30818-535	30807-757	30838-141
6	261.8	28	141.9	127.0	–	1 (SPQ 5) ¹⁾	30818-542	30807-766	30838-148
6	261.8	42	213.0	198.1	101.6 ²⁾	1	30818-556	30807-764	30838-162
6	261.8	63	319.7	304.8	157.5	1	30818-577	30807-771	30838-183
6	261.8	84	426.4	411.5	203.2	1	30818-598	30807-776	30838-204
9	395.1	84	426.4	411.5	203.2	1	–	–	30847-556

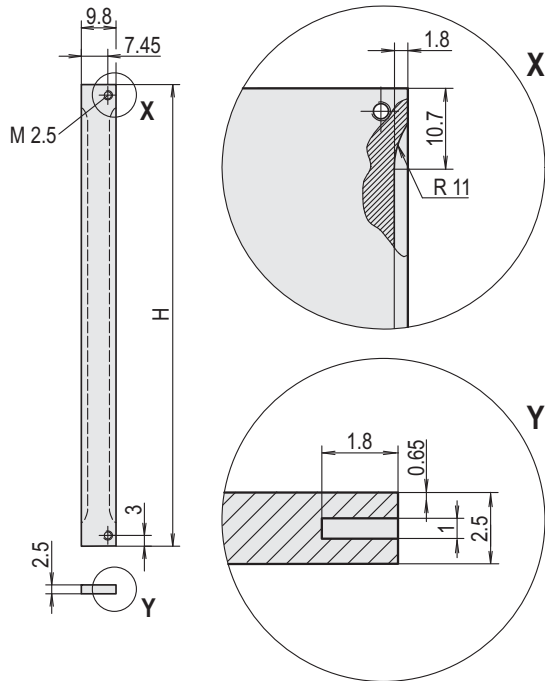
1) SPQ (standard pack quantity): Part number includes 1 piece, but delivery is exclusively made in standard pack quantity (SPQ); please order at least the SPQ quantity or a multiple

2) This dimension is only available for "front anodised, rear iridescent green chromated" version

- Please order fixing material (sleeves, collar screws) separately, see page 7.107

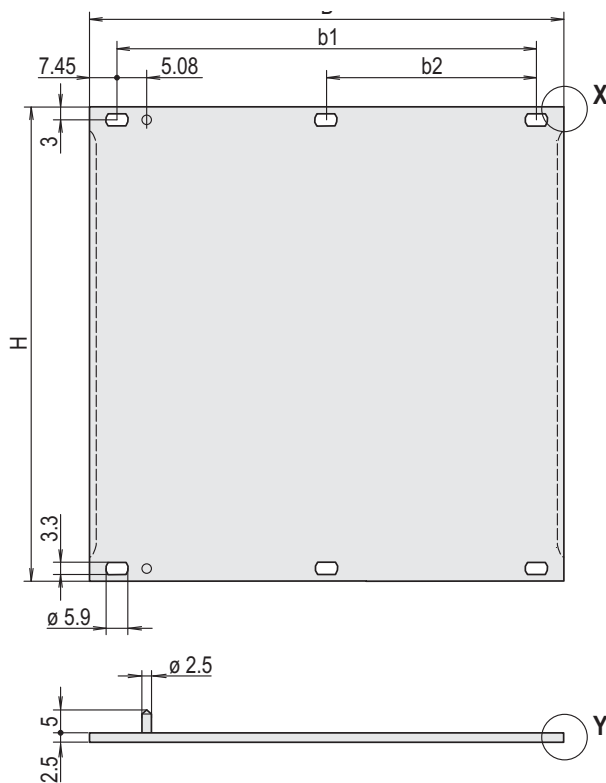
Modules – Front panels

FRONT PANELS, SHIELDABLE



2 HP

04602052



> 2 HP

04608154

- Front panel, Al, 2.5 mm, front anodised, rear iridescent green chromated, 2 alignment pins pressed-in, stainless steel
- Shielding with stainless steel EMC gasket

ORDER INFORMATION

Height H U	mm	Width HP	B mm	b1 mm	b2 mm	Align- ment pin	Qty	Part no.
2	84	84	426.4	411.5	203.2	–	1	30846-588
3	128.4	2	9.8	–	–	–	1 (SPQ 5) ¹⁾	30846-864
3	128.4	3	14.9	–	–	x	1 (SPQ 5) ¹⁾	20846-425
3	128.4	4	20	–	–	x	1 (SPQ 5) ¹⁾	20846-426
3	128.4	5	25	–	–	x	1 (SPQ 5) ¹⁾	20846-427
3	128.4	6	30.1	–	–	x	1 (SPQ 5) ¹⁾	20846-428
3	128.4	7	35.2	–	–	x	1 (SPQ 5) ¹⁾	20846-429
3	128.4	8	40.3	25.4	–	x	1 (SPQ 5) ¹⁾	20846-430
3	128.4	10	50.5	35.6	–	x	1 (SPQ 5) ¹⁾	20846-431
3	128.4	12	60.6	45.7	–	x	1 (SPQ 5) ¹⁾	20846-432
3	128.4	14	70.8	55.9	–	x	1 (SPQ 5) ¹⁾	20846-433
3	128.4	21	106.3	91.4	–	x	1 (SPQ 5) ¹⁾	20846-434
3	128.4	28	141.9	127	–	x	1 (SPQ 5) ¹⁾	20846-436
3	128.4	42	213	198.1	101.6	x	1	20846-437
3	128.4	63	319.7	304.8	157.5	x	1	20846-438
3	128.4	84	426.4	411.5	203.2	–	1	30846-676
4	172.9	84	426.4	411.5	203.2	–	1	30846-683
6	261.8	2	9.8	–	–	–	1 (SPQ 5) ¹⁾	30846-865
6	261.8	4	20	–	–	x	1 (SPQ 5) ¹⁾	20846-443
6	261.8	5	25	–	–	x	1 (SPQ 5) ¹⁾	20846-444
6	261.8	6	30.1	–	–	x	1 (SPQ 5) ¹⁾	20846-445
6	261.8	7	35.2	–	–	x	1 (SPQ 5) ¹⁾	20846-446
6	261.8	8	40.3	25.4	–	x	1 (SPQ 5) ¹⁾	20846-447
6	261.8	10	50.5	35.6	–	x	1 (SPQ 5) ¹⁾	20846-448
6	261.8	12	60.6	45.7	–	x	1 (SPQ 5) ¹⁾	20846-449
6	261.8	14	70.8	55.9	–	x	1 (SPQ 5) ¹⁾	20846-450
6	261.8	16	80.9	66	–	x	1 (SPQ 5) ¹⁾	20846-456
6	261.8	21	106.3	91.4	–	x	1 (SPQ 5) ¹⁾	20846-451
6	261.8	28	141.9	127	–	x	1 (SPQ 5) ¹⁾	20846-452
6	261.8	42	213	198.1	101.6	x	1	20846-453
6	261.8	63	319.7	304.8	157.5	x	1	20846-454
6	261.8	84	426.4	411.5	203.2	–	1	30846-771
9	395.1	84	426.4	411.5	203.2	–	1	30846-859

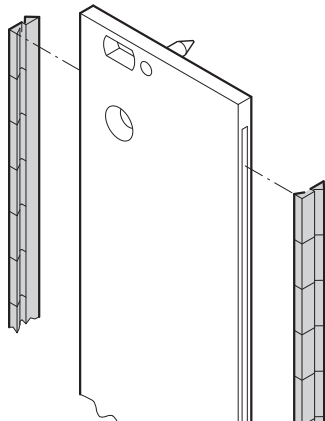
Delivery is exclusively made in Standard Pack Quantity (SPQ): Please order at least 5 pieces or a multiple.
Pricing is per individual item.

NOTE

- Please order fixing material (sleeves, collar screws) separately, see page 7.107
- Please order stainless steel EMC gasket separately, see page 7.6

Modules – Front panels

STAINLESS STEEL EMC GASKET



- The stainless steel EMC gaskets are inserted into the lateral slots of the shieldable front panels (2 pieces per front panel)

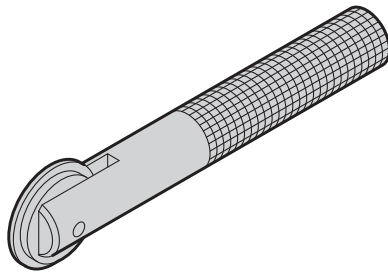
DELIVERY COMPRISES

Item	Qty	Description
1	10/100	EMC gasket (stainless steel)

ORDER INFORMATION

Height U	Height mm	Qty/PU	Part no.
2	52	10	21101-775
3	97	10	21101-705
3	97	100	21101-706
4	142	10	21101-713
4	142	100	21101-714
5	187	10	21101-777
5	187	100	21101-778
6	232	10	21101-707
6	232	100	21101-708
9	367	10	21101-709
9	367	100	21101-710
Assembly tool for EMC gasket (stainless steel), 1 piece			24560-270

Montagewerkzeug



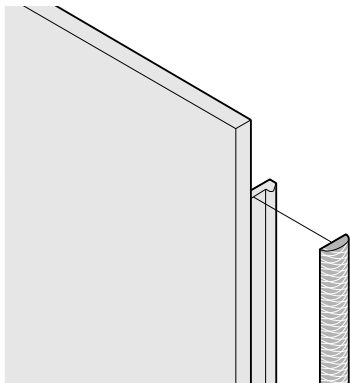
bga45760

aza45937

NOTE

- Please order assembly tool separately

TEXTILE EMC GASKET



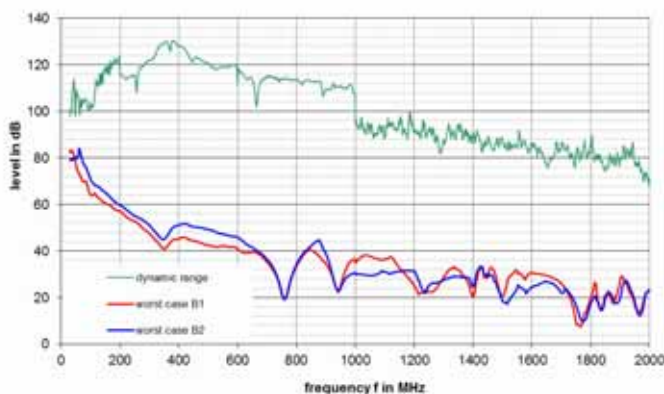
- Textile EMC gasket is glued laterally on the front panel, in the groove of the right-hand profile
- 2 temperature ranges
 - Temperature range -40... +70 °C
 - Temperature range -40... +85 °C

DELIVERY INCLUDES

Item	Qty	Description
1	see Order Information	EMC textile gasket, core: TPE foam (-40... +70 °C), Core: silicon with hollow chamber (-40... +85 °C), sleeve: textile cladding with CuNi coating

EMC characteristic (typical, green)

B1 (red): -40 ... -70 °C, B2 (blue): -40 ... -85 °C



04602054

04614052

ORDER INFORMATION

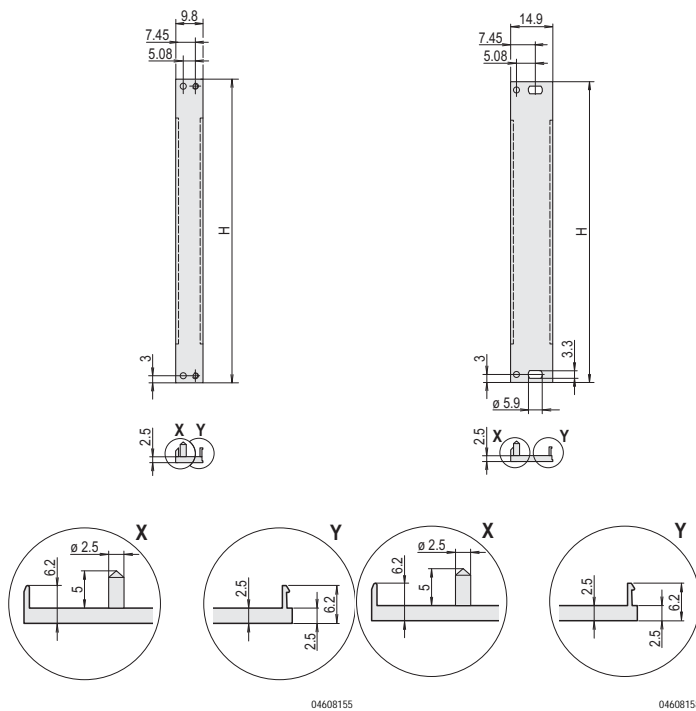
Height U	Height mm	Qty/PU piece	Part no. Temperature range -40... +70 °C	Part no. Temperature range -40... +85 °C
2	52	10	21101-857	21102-857
3	97	10	21101-853	21102-853
3	97	100	21101-854	21102-854
4	142	10	21101-858	21102-858
5	187	10	21101-978	21102-978
6	232	10	21101-855	21102-855
6	232	100	21101-856	21102-856
9	365	10	21101-859	21102-859
9	365	100	21101-904	–

Modules – Front panels

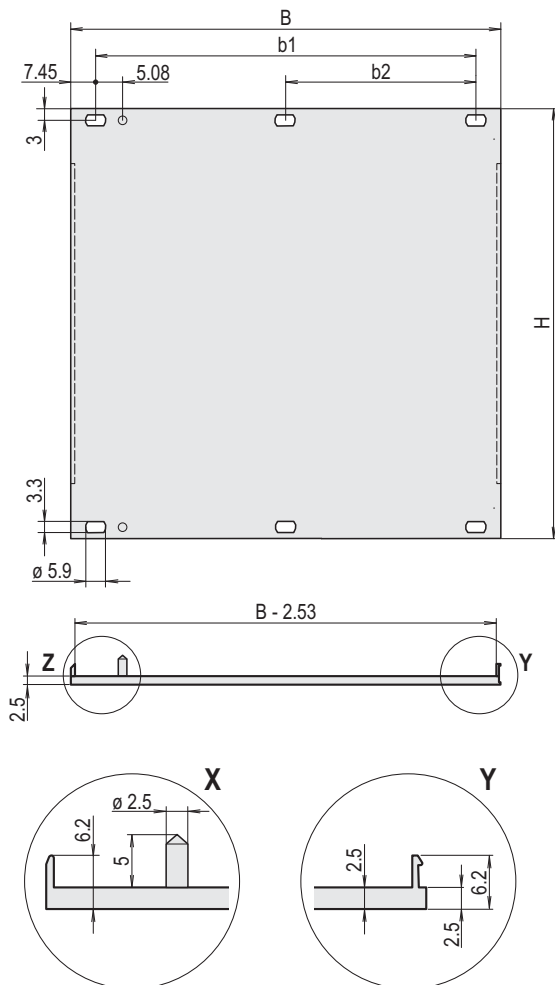
FRONT PANELS, U PROFILE, SHIELDABLE

2 HP

3 U



> 3 HP



- High stability through U profile
- Front panel, U profile, Al, front anodised, rear conductive, 2 alignment pins pressed-in, stainless steel
- Differences in the finish between 2 ... 12 HP and 14 ... 84 HP

ORDER INFORMATION

Height H	Width	B	b1	b2	Align-ment pin	Qty	Part no.	
U	mm	HP	mm	mm	mm			
2	84	84	426.4	411.5	203.2	–	1 (SPQ 5)1	20848-262
3	128.4	2	9.8	–	–	x	1 (SPQ 5)1	30849-001
3	128.4	3	14.9	–	–	x	1 (SPQ 5)1	30849-004
3	128.4	4	20	–	–	x	1 (SPQ 5)1	30848-354
3	128.4	5	25	–	–	x	1 (SPQ 5)1	30848-378
3	128.4	6	30.1	–	–	x	1 (SPQ 5)1	30848-380
3	128.4	7	35.2	–	–	x	1 (SPQ 5)1	30848-382
3	128.4	8	40.3	25.4	–	x	1 (SPQ 5)1	30848-356
3	128.4	10	50.5	35.6	–	x	1 (SPQ 5)1	30848-386
3	128.4	12	60.6	45.7	–	x	1 (SPQ 5)1	30848-358
3	128.4	14	70.8	55.9	–	x	1 (SPQ 5)1	20848-013
3	128.4	16	80.9	66	–	x	1 (SPQ 5)1	20848-015
3	128.4	21	106.3	91.4	–	x	1 (SPQ 5)1	20848-020
3	128.4	28	141.9	127	–	x	1 (SPQ 5)1	20848-027
3	128.4	42	213	198.1	101.6	x	1	20848-047
3	128.4	63	319.7	304.8	157.5	x	1	20848-068
3	128.4	84	426.4	411.5	203.2	–	1	20848-097
4	172.9	84	426.4	411.5	203.2	–	1	20848-271
6	261.8	2	9.8	–	–	x	1 (SPQ 5)1	30849-002
6	261.8	4	20	–	–	x	1 (SPQ 5)1	30848-355
6	261.8	5	25	–	–	x	1 (SPQ 5)1	30848-379
6	261.8	6	30.1	–	–	x	1 (SPQ 5)1	30848-381
6	261.8	7	35.2	–	–	x	1 (SPQ 5)1	30848-383
6	261.8	8	40.3	25.4	–	x	1 (SPQ 5)1	30848-357
6	261.8	10	50.5	35.6	–	x	1 (SPQ 5)1	30848-387
6	261.8	12	60.6	45.7	–	x	1 (SPQ 5)1	30848-359
6	261.8	14	70.8	55.9	–	x	1 (SPQ 5)1	20848-106
6	261.8	16	80.9	66	–	x	1 (SPQ 5)1	20848-108
6	261.8	21	106.3	91.4	–	x	1 (SPQ 5)1	20848-113
6	261.8	28	141.9	127	–	x	1 (SPQ 5)1	20848-120
6	261.8	42	213	198.1	101.6	x	1	20848-139
6	261.8	63	319.7	304.8	157.5	x	1	20848-160
6	261.8	84	426.4	411.5	208.3	–	1	20848-189
9	395.1	84	426.4	411.5	203.2	–	1	20848-280

1) Delivery is exclusively made in Standard Pack Quantity (SPQ): Please order at least 5 pieces or a multiple.
Pricing is per individual item.

NOTE

- Differences in finish between 2 ... 12 HP and 14 ... 84 HP
 - 2 ... 12 HP: one-part U-profile
 - 14 ... 84 HP: multi-part U-profile (front panel with crimped profiles)
- Please order fixing material (sleeves, collar screws) separately, see page 7.107
- Please order textile EMC gasket separately, see page 7.6

Modules – Front panels

FRONT PANELS, BOTTOM-HINGED



- Suitable for subracks (europacPRO) and cases (ratiopacPRO, propacPRO, compacPRO)
- Front panel can be unhinged at 135° (not ratiopacPRO) opening angle
- The useable width is not restricted
- Mounts on the horizontal rails
- 2 versions:
 - unshielded
 - shielded, U front panel with textile EMC gasket

04295001

DELIVERY COMPRISES (kit)

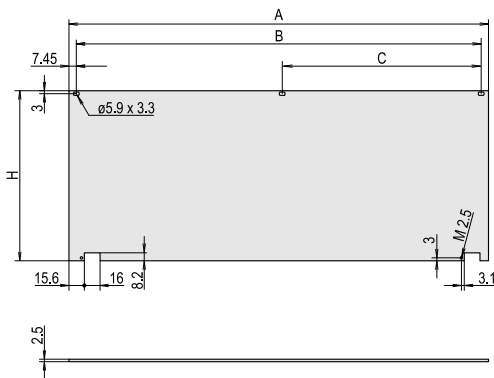
Item	Qty		Description
	Unshielded	Shielded	
1	1	-	Front panel, hinged, Al, 2.5 mm, anodised, cut edges plain
1a	-	1	Front panel, U profile, hinged, Al, 2.5 mm, front anodised, rear iridescent green chromated
2	2	3	Hinge, Zn die-cast, nickel-plated
3	2	3	Sleeve, PA
4	2	3	Knurled screw M2.5 x 12.3, nickel-plated
5	-	1	EMC textile gasket, core: foam, sleeve: textile cladding with CuNi coating
6	1	1	Assembly kit

04602080

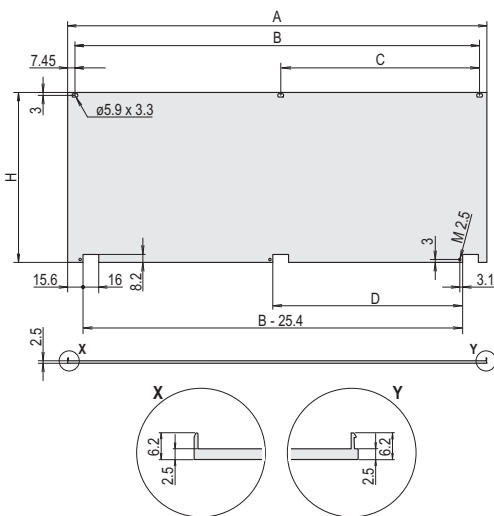
NOTE

- Unshielded: Dimension C for 84 HP only

Unshielded



Shielded



04602079

ORDER INFORMATION

Dimensions							Shielded	Unshielded
Height	Width	A	B	C	D	H	Part no.	Part no.
U	HP	mm	mm	mm	mm	mm		
3	28	141.9	127.0	-	-	128.4	20848-608	20838-280
3	42	213.0	198.1	101.6	86.4	128.4	20848-599	20838-271
3	63	319.7	304.8	157.5	137.2	128.4	20848-600	20838-272
3	84	426.4	411.5	208.3 ¹⁾	193.0	128.4	20848-601	20838-273
4	42	213.0	198.1	101.6	86.4	172.9	20848-605	20838-277
4	63	319.7	304.8	157.5	137.2	172.9	20848-606	20838-278
4	84	426.4	411.5	208.3 ¹⁾	193.0	172.9	20848-607	20838-279
6	28	141.9	127.0	-	-	261.8	20848-696	-
6	42	213.0	198.1	101.6	86.4	261.8	20848-602	20838-274
6	63	319.7	304.8	157.5	137.2	261.8	20848-603	20838-275
6	84	426.4	411.5	208.3 ¹⁾	193.0	261.8	20848-604	20838-276

1) Dimension with unshielded front panel

Modules – Front panels

FRONT PANEL, HINGED, SHIELDED



- Suitable for subracks (europacPRO) and cases (ratiopacPRO, propacPRO, compacPRO)
- Mounts on horizontal rails
- Front panel with textile EMC gasket
- Hinges can be fitted on left or right

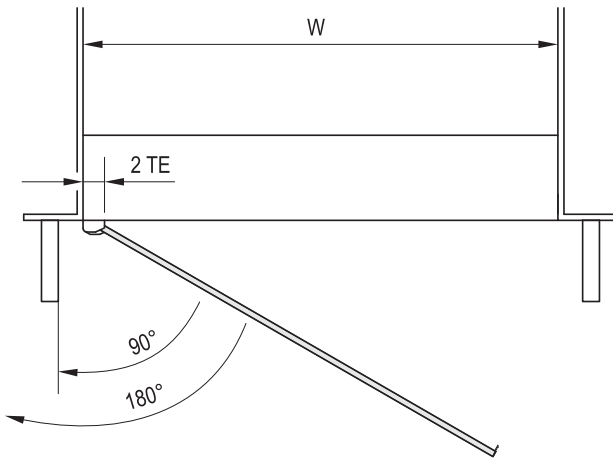
DELIVERY COMPRISES (kit)

Item	Qty	Description
1	1	Front panel, hinged, Al, 2.5 mm, front anodised, rear iridescent green chromated
2	2	Hinge, Zn die-cast, chrome-plated
3	1	Textile EMC gasket, core: foam, sleeve: textile cladding with CuNi coating
4	1	Assembly kit

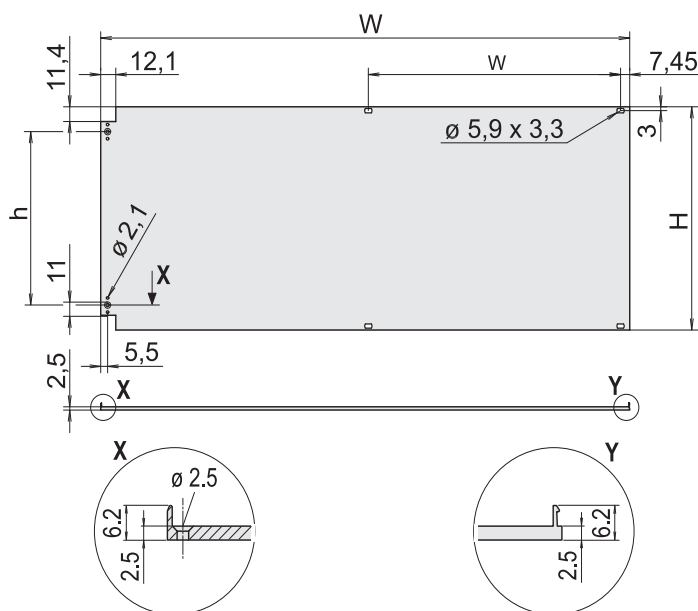
04295002

ORDER INFORMATION

Height U	H mm	h mm	W mm	w mm	Part no.
3	128.4	89.9	426.4	203.2	20848-611
6	261.8	223.2	426.4	203.2	20848-617



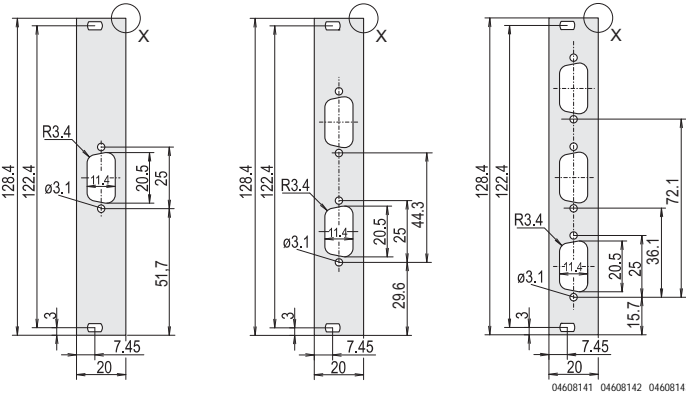
06106053



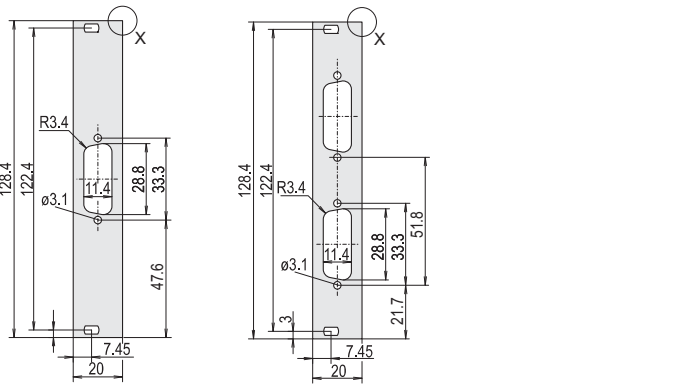
04602081

Modules – Front panels

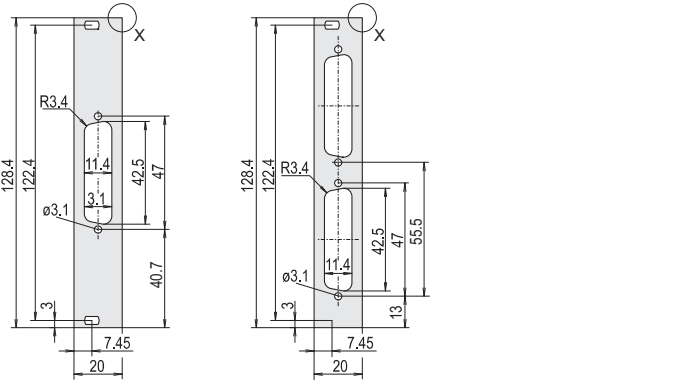
FRONT PANELS FOR D-SUB CONNECTORS



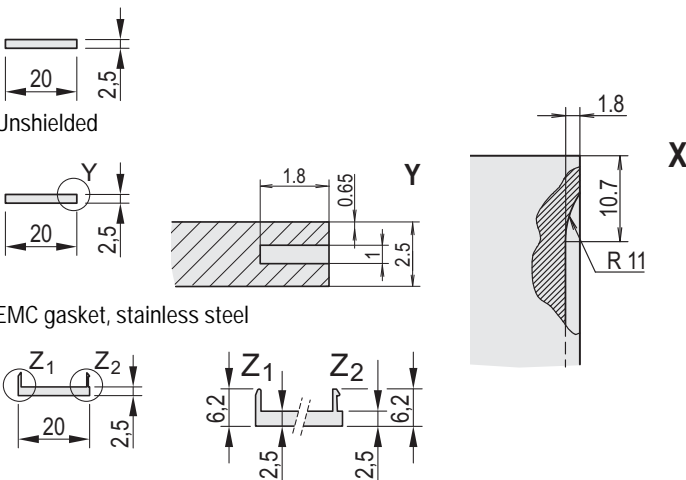
Cut-out 9-pin



Cut-out 15-pin



Cut-out 25-pin



For textile EMC gasket

- 3 U/4 HP
- Aluminium, front anodised, rear iridescent green chromated
- Shielding through: stainless steel EMC or textile EMC gasket (please order separately)

DELIVERY COMPRISES

Item	Description
1a	Front panel, Al, 2.5 mm, front anodised, rear iridescent green chromated
1b	Front panel, Al, 2.5 mm, front anodised, rear iridescent green chromated; for EMC stainless steel gasket
1c	Front panel, U profile, Al, 2.5 mm, front anodised, rear conductive; for EMC gasket (textile)

ORDER INFORMATION

Cut-out	Qty	Unshielded	For EMC gasket	
		Part no.	Stainless steel Part no.	Textile Part no.
		1a	1b	1c
1 × 9-polig	1 piece (SPQ 5)	30118-341	30118-348	30849-749
2 × 9-polig	1 piece (SPQ 5)	30118-344	30118-351	30849-750
3 × 9-polig	1 piece (SPQ 5)	30118-347	30118-354	30849-751
1 × 15-polig	1 piece (SPQ 5)	30118-342	30118-349	30849-752
2 × 15-polig	1 piece (SPQ 5)	30118-345	30118-352	30849-753
1 × 25-polig	1 piece (SPQ 5)	30118-343	30118-350	30849-754
2 × 25-polig	1 piece (SPQ 5)	30118-346	30118-353	30849-755

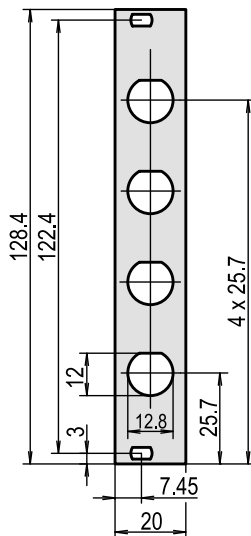
Delivery is exclusively made in Standard Pack Quantity (SPQ): Please order at least 5 pieces or a multiple. Pricing is per individual item.

NOTE

- Please order fixing material (sleeves, collar screws) separately, see page 7.107
- Please order stainless steel EMC gasket separately, see page 7.6
- Please order textile EMC gasket separately, see page 7.6

Modules – Front panels

FRONT PANELS FOR COAX CONNECTORS



04602057

- 3 U/4 HP
- Aluminium, 2.5 mm, front anodised, rear iridescent green chromated

ORDER INFORMATION

Description	Qty/PU	Part no.
Cut-out 4 x Coax, unshielded	1	30118-355

NOTE

- Please order fixing material (sleeves, collar screws) separately, see page 7.107

FRONT PANELS 3 U WITH GND/EARTHING CONNECTION



02998001

- Earthed front panel (protection class 1)

DELIVERY COMPRISES (items 1 – 3 assembled)

Item	Qty	Description
1	1	Front panel 3 U, Al, 2.5 mm, front anodised, rear iridescent green chromated with GND/earthing connection
2	4	Plastic sleeve, PA, grey
3	4	Collar screws, M2.5 x 11 and 12.3 Pozidrive, St, nickel-plated
4	1	GND/earthing kit, length of GND/earthing cable 320 mm

ORDER INFORMATION

Height U	Width HP	Qty	Part no.
3	7	1 piece (SPQ 5)	20119-159
3	14	1 piece (SPQ 5)	20119-160
3	21	1 piece (SPQ 5)	20119-161
3	28	1 piece (SPQ 5)	20119-162
3	42	1	20119-163

Delivery is exclusively made in Standard Pack Quantity (SPQ): Please order at least 5 pieces or a multiple.

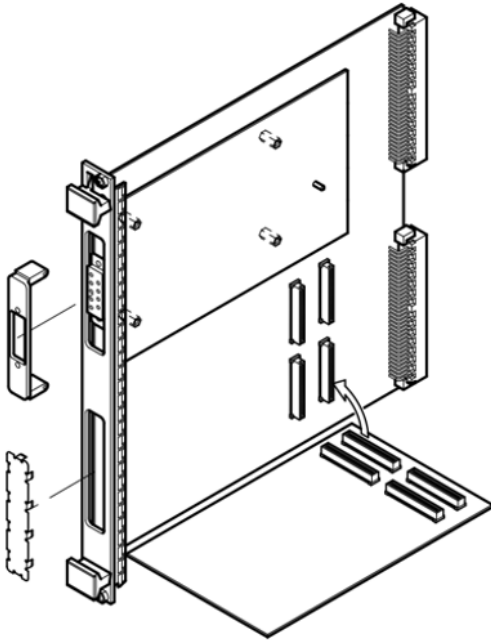
Pricing is per individual item.

NOTE

- Please order fixing material (sleeves, collar screws) separately, see page 7.107

Assemblies – Front panels

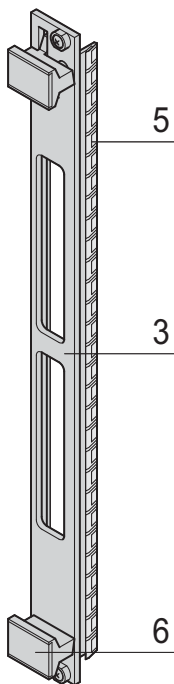
PMC MEZZANINE FRONT PANELS



04615054

- Based on PCI 2.2 specification (PCI = Peripheral Component Interface)
- In accordance with PMC mezzanine specification IEEE P 1386

PMC MEZZANINE FRONT PANEL KIT, SHIELDED, WITH TRAPEZOIDAL EXTRACTOR HANDLE TYPE 1



Item 3: front panel, item 5: EMC gasket, item 6: front handle

MPA44845

- PMC= PCI Mezzanine Card
- For module size 194 x 74 mm2
- In accordance with specification IEEE P1386 (CMC= Common Mezzanine Card)
- 6 U/4 HP front panel with stainless steel EMC gasket and front handles

DELIVERY INCLUDES (assembled)

Item	Qty	Description
3	1	PMC front panel, Al extrusion, 6 U, 4 HP, clear passivated
5	1	EMC gasket (St, stainless)
6	2	Trapeziform extractor handle, type 1

ORDER INFORMATION

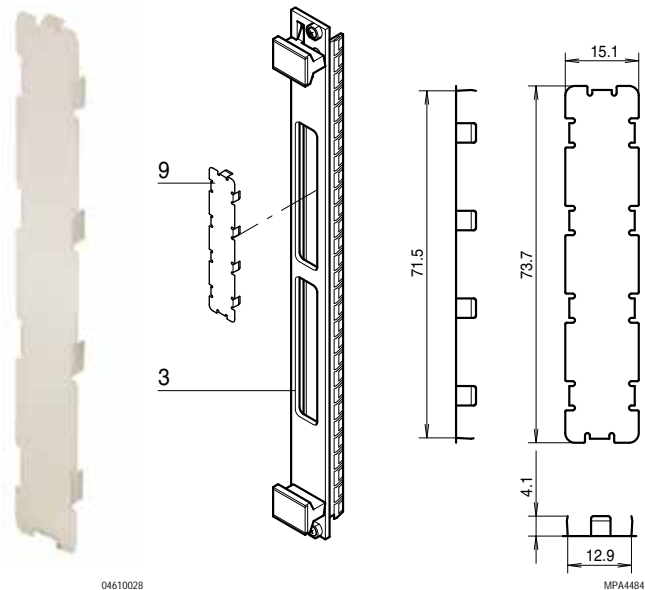
Item	Description	Part No.
3+5+6	Front panel with 2 cut-outs	20897-950

Accessories

Spacer to mount PMC and FMC mezzanine boards	see page 7.15
Voltage keying/coding pin for PMC mezzanine boards	see page 7.15
PMC cover for front panel cutouts for EMC shielding, PMC gasket for mezzanine front panels	see page 7.13
PMC gasket for mezzanine front panels	see page 7.13

Modules – Front panels

PMC CUTOUT COVER FOR EMC PROTECTION



04610028 Item 9: EMC cover; Item 3: front panel

MPA44847

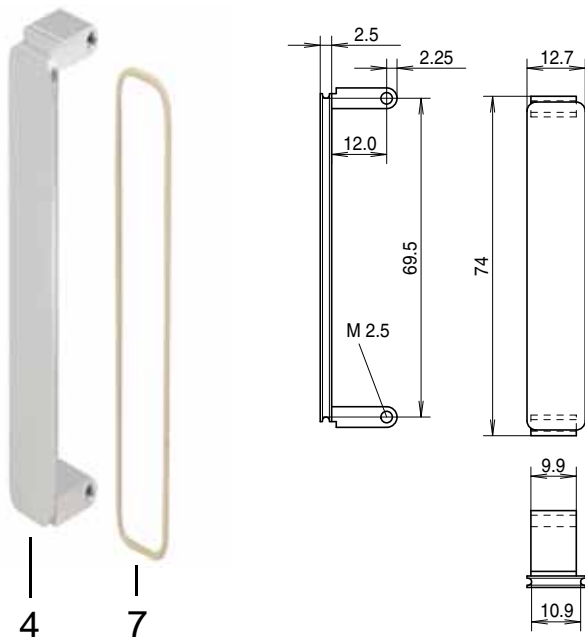
- EMC cover to close unused cut-outs in the PMC mezzanine front panels
- Material stainless steel, 0.2 mm
- Colour: black or bright

ORDER INFORMATION

Colour	Qty	Part no.
Black	1 piece (SPQ 10)	60835-024
Bright	1 piece (SPQ 10)	60835-022

Delivery is exclusively made in Standard Pack Quantity (SPQ): Please order at least 10 pieces or a multiple.
Pricing is per individual item.

PMC BEZEL FOR MEZZANINE FRONT PANELS



04610029

mpa44846

- Mezzanine front panel is fitted into PMC front panel cut-outs; EMC shielding with conductive O-ring
- Material:
 - Aluminium extrusion (anodised, contact surfaces conductive)
 - Zinc die-cast (untreated, black or chrome-plated, matt)

DELIVERY COMPRISES (kit)

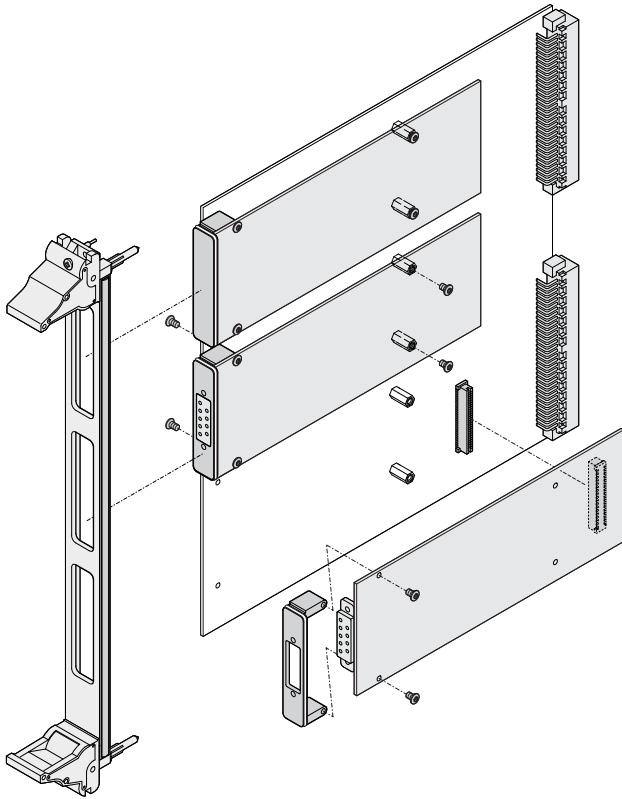
Item	Qty	Description
4	1	PMC bezel for mezzanine front panel, Zn die-cast or Al extrusion
7	1	EMC gasket (O-ring), Cho-Seal

ORDER INFORMATION

PMC mezzanine front panel	Qty/PU	with EMC gasket	without EMC gasket
Material		Part no.	Part no.
Al extrusion, anodised, contact surfaces conductive	1	20835-598	–
Al extrusion, anodised, contact surfaces conductive	10	20835-889	20835-899
Zn die-cast, untreated	1	20835-890	–
Zn die-cast, untreated	10	20835-893	20835-896
Zinc die-cast, black, chromated	1	20835-922	–
Zinc die-cast, black, chromated	10	20835-924	20835-931
Zinc die-cast, chrome-plated, matt	1	20835-923	–
Zinc die-cast, chrome-plated, matt	10	20835-928	20835-929
Cheesehead screw M2.5 × 5 mm, PU 100 pieces			21100-624
EMC gasket O-ring, 1 piece (Standard Pack Quantity 10 pieces)			60835-021

Assemblies – Front panels

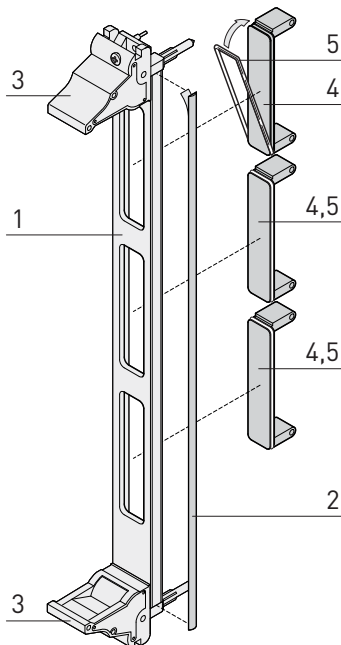
FMC MEZZANINE FRONT PANELS



04615052

- FMC = FPGA mezzanine card
- For standard defined I/O mezzanine modules which connect to carrier cards
- For single 69.0 x 76.5 mm or double 139.0 x 76.5 mm modules
- In accordance with Vita 57.1 specification

FMC MEZZANINE FRONT PANEL KIT, SHIELDED, WITH IEL HANDLE



04615050

- 3 U or 6 U, 4 HP, U-shaped front panels with textile gasketing
- 1 or 3 FMC cutouts (depending on height)
- 1 or 2 IEL front handles (depending on height)
- EMC shielded, both the front panel and the FMC bezels

DELIVERY INCLUDES (assembled)

Item	Qty		Description
	3 U	6 U	
1	1	1	FMC front panel, U profile, Al, 4 HP, front anodized, rear conductive, 3 U has 1 cut out, 6 U has 3 cut outs
2	1	1	EMC textile gasket for front panel
3	1	2	IEL handle (handel, black, RAL 9005; button, light grey, RAL 7035)
4	1	3	FMC bezel for front panel cut outs
5	1	3	EMC gasket (O-ring)
6	1	1	Assembly kit

ORDER INFORMATION

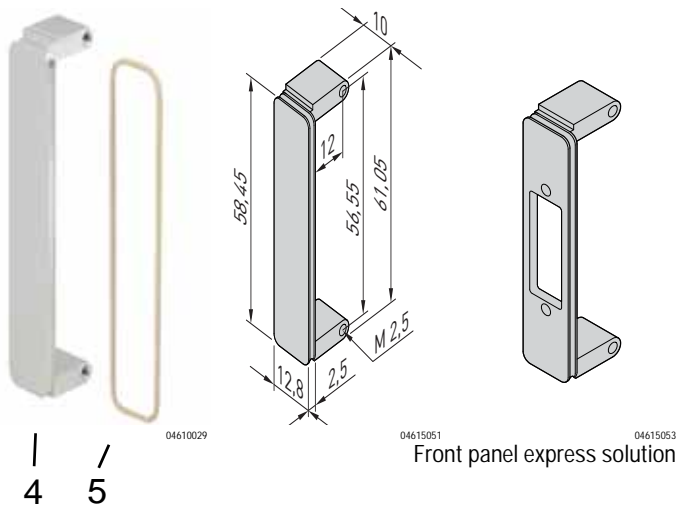
Height	Part no.
U	
3	20836-253
6	20836-254

Accessories

Spacer to mount PMC mezzanine boards	see page 7.15
--------------------------------------	---------------

Assemblies – Front panels

EMC BEZEL FOR FMC MEZZANINE FRONT PANEL CUT-OUTS

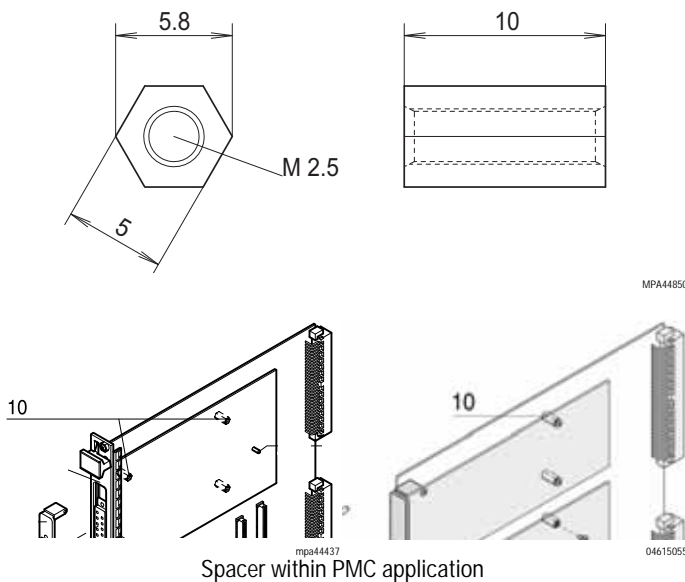


- FMC bezel is fitted into FMC Mezzanine front panel cut-outs
- Material, Al extrusion (anodised, contact surface conductive)
- Shielding for FMC bezels with an optional conductive O-ring, please order separately

ORDER INFORMATION

Description	Item	Qty/PU piece	Part no.
EMC bezel for FMC Mezzanine front panel cut outs	4	10	20835-849
Accessories			
EMC gasket for mezzanine front panel item 5 , O-ring. (VITA 57.1), 1 piece (standard pack quantity 10 pieces)			60835-077
Cheesehead screw M2.5 x 5 mm, PU 100 pieces			21100-624

SPACER TO MOUNT PMC AND FMC MEZZANINE BOARDS



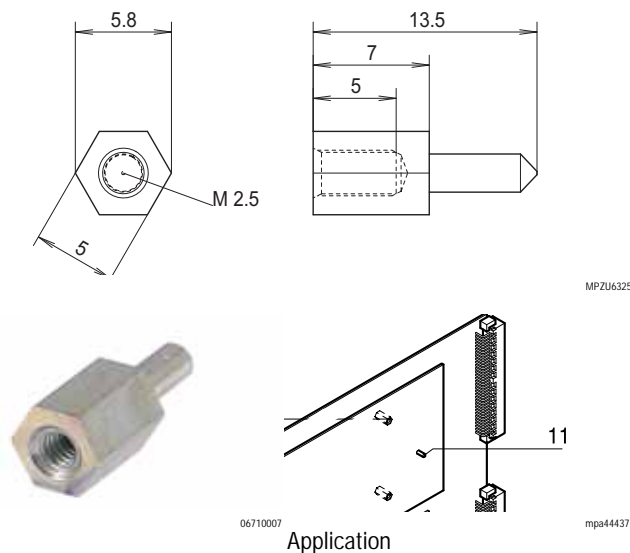
- To provide a standoff between mezzanine boards per the IEEE P1386 or VITA 57.1 specification and the carrier card

ORDER INFORMATION

Description	Item	Material	Qty	Part no.
Spacer	10	St, zinc-plated	1 piece (SPQ 10)	60897-278

Delivery is exclusively made in Standard Pack Quantity (SPQ): Please order at least 10 pieces or a multiple.
Pricing is per individual item.

VOLTAGE KEYING/CODING PIN FOR PMC MEZZANINE BOARDS



- To prevent accidental damage when fitting mezzanine boards, keying/coding pins are bolted to the VMEbus boards to distinguish between 3.3 V and 5 V operation. The mezzanine boards have a hole drilled in the appropriate position. The keying/coding pin thus ensures that only mezzanine boards with the same operating voltage can be inserted. For double-height euroboards 2 pieces are required.

ORDER INFORMATION

Description	Item	Material	Qty	Part no.
Keying/coding pin 5 V/3.3 V	11	St, zinc-plated	1 piece (SPQ 10)	60827-026

Delivery is exclusively made in Standard Pack Quantity (SPQ): Please order at least 10 pieces or a multiple.
Pricing is per individual item.

North America

Warwick, RI, USA

Tel +1.800.525.4682

San Diego, CA, USA

Tel +1.800.854.7086

Europe, Middle East & India

Straubenhardt, Germany

Tel +49 7082 794 0

Betschdorf, France

Tel +33 3 88 90 64 90

Warsaw, Poland

Tel +48 22 209 98 35

Hemel Hempstead,

Great Britain

Tel +44 1442 24 04 71

Lainate, Italy

Tel +39 02 932 714 1

Dubai, United Arab Emirates

Tel +971 4 37 81 700

Bangalore, India

Tel +91 80 67152000

Istanbul, Turkey

Tel +90 216 250 7374

Asia Pacific

Shanghai, China

Tel +86 21 2412 6943

Singapore

Tel +65 6768 5800

Shin-Yokohama, Japan

Tel +81 45 476 0271

Our powerful portfolio of brands:

CADDY ERICO HOFFMAN RAYCHEM SCHROFF TRACER



[nVent.com/SCHROFF](https://www.nVent.com/SCHROFF)