

SERIES 40 WEDGE LOK

DSCC 84103 & CID 59590

RECOMMENDED GAP WIDTH

PCB + 7.62 (.300)

RECOMMENDED TORQUE

80 N-cm (7 in-lbs)

WEIGHT

1.07 g/cm (.096 oz/in)

MATERIALS AND FINISH

WEDGES

Material:

Aluminum Alloy 6061-T6 per QQ-A-200/8

Finish:

See finish table on opposite page

SCREW AND WASHERS

.09-in. or 2.5-mm hex. socket head cap screw, depending on mounting configuration

Material:

Series 300 stainless steel per QQ-S-763 ASTM A-582

Finish:

Passivated per AMS2700

OPTIONAL LOCK AND FLAT WASHER

Material:

300 series stainless steel per QQ-S-763 and ASTM A-582

Finish:

Passivated per AMS2700

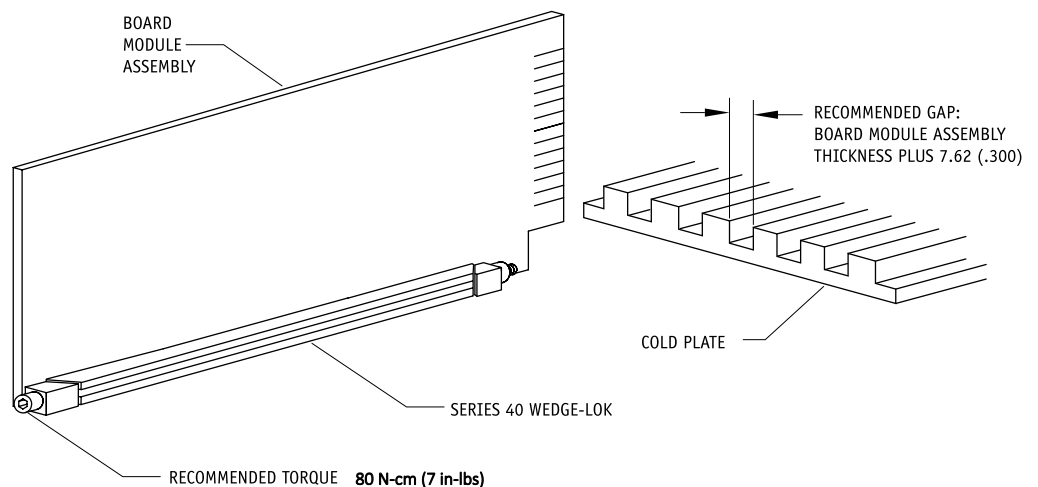
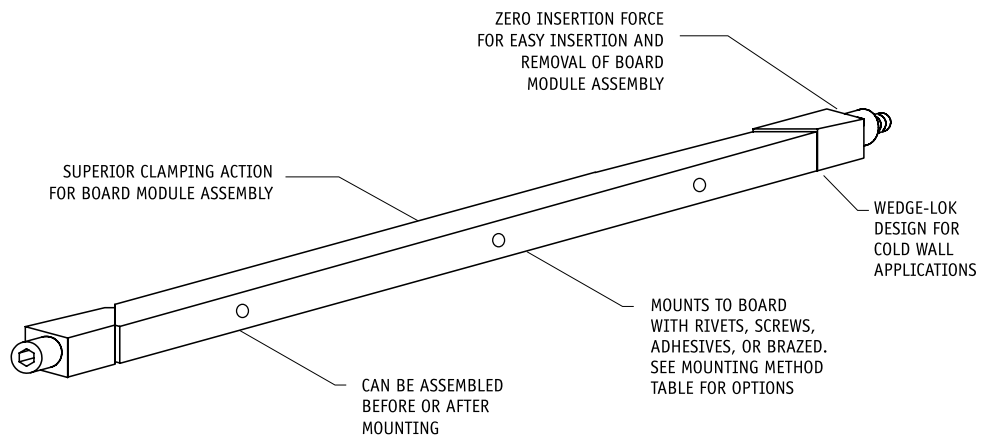
OPTIONAL LOCKNUT

Material:

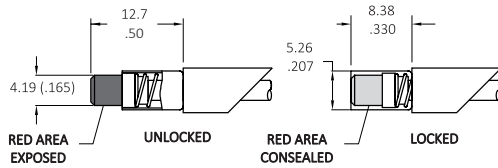
Type A286 stainless steel per ASTM AMS 5525

Finish:

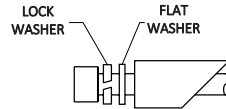
Silver plate per AMS 2410



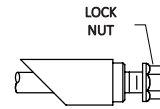
SERIES 40 WEDGE LOK



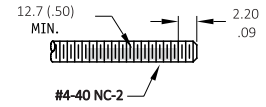
VI OPTION
Indicates assembly is unlocked (adds 5.1 (.20) to screw length)



LF OPTION
Provides additional resistance to shock and vibration (adds 2.5 (.10) in screw length)



LN OPTION
Captivates rear wedge when untorqued (adds 2.5 (.10) to screw length)

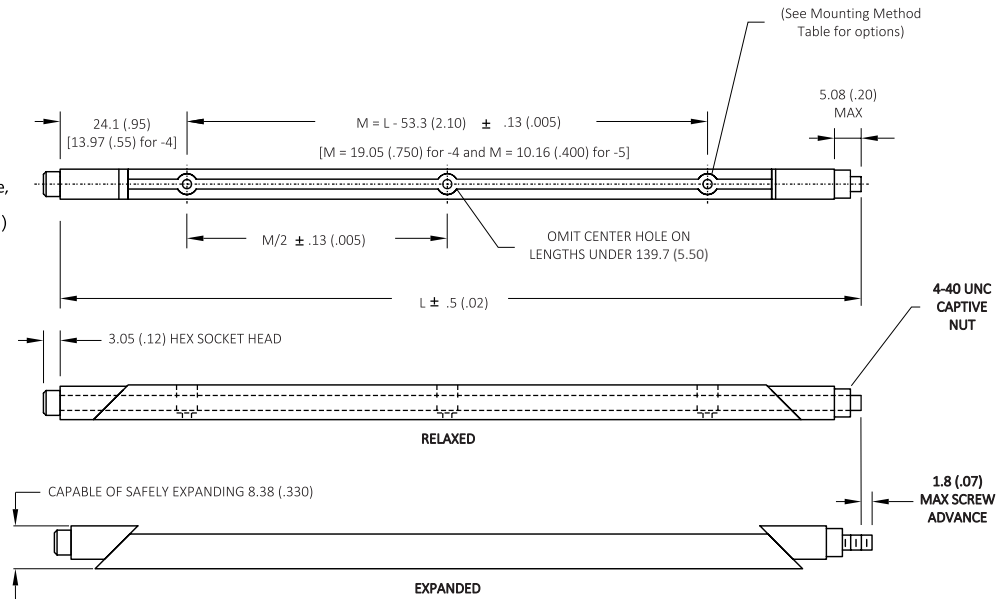


LOPTION
Provides additional resistance to shock and vibration

Units: mm(in)
unless specified otherwise,
.xx = ± .25, .x = ± .5
(.xxx = ± .010, .xx = ± .02)

2.3 (.09) HEX SOCKET HEAD SCREW PER ANSI/ASME B18.3 2.5mm SUPPLIED FOR METRIC MOUNTING

5.72 (.225)



Part Number Code

Series 40 WEDGE-LOK Three-piece **40 VI - 10 - B - LF - LN - S - L**

Optional Visual Indicator

Visual Indicator **VI**
None **[Blank]**

Length

Length in 12.7 (.50) increments **4** [50.8 (2.00)]
to 24 [304.8 (12.00)]

Finish

Black Anodized **B**
or select code letter from Finish Table

Lock/Flat Washers and Locknut

Lock Washer and Flat Washer **LF**
None **[Blank]**

Lock Nut **LN**
None **[Blank]**

Mounting

2-56 UNC-2B Tapped Holes **S**
Or select code letter from Mounting Method Table

Lock Patch

Lock Patch **L**
None **[Blank]**

Part Number Code example: 40VI-12-LF

Series 40 WEDGE-LOK Three-piece, 152.4 (6.00) long, with Visual Indicator option, Chem Film finish, standard rivet hole mounting, and Lock and Flat Washer option.

FINISH TABLE

CODE LETTER	SURFACE FINISH
[blank]	CHEMICAL FILM PER MIL-DTL-5541, TYPE I, CLASS 1A, GOLD, NON ROHS COMPLIANT
CC	CHEMICAL FILM PER MIL-DTL-5541, TYPE II, CLASS 1A, CLEAR
EN	ELECTROLESS NICKEL PER MIL-C-26074, CLASS 4, GRADE B, BRIGHT
N	NICKEL PLATE PER QQ-N-290, CLASS 1, GRADE G, BRIGHT
B	BLACK ANODIZE PER MIL-A-8625, TYPE II, CLASS 2
B3	HARD BLACK ANODIZE PER MIL-A-8625, TYPE III, CLASS 2 HARD
B3D	BLACK ANODIZE WITH DRY FILM LUBE PER MIL-L-46010

MOUNTING METHOD TABLE

CODE LETTER	METHOD
[blank]	RIVET MOUNT (Ø 1.70 + .10/- .03 (.067 + .004/.001) THRU □ Ø 3.96 (.156) ∩ 5.08 (.200) ∨ Ø 3.56 (.140) x 100°)
A	NO MOUNTING HOLES
S	2-56 UNC-2B TAPPED HOLE
T	0-80 UNF-2B TAPPED HOLE
M2	M2 X .40 TAPPED HOLE
M	M2.5 X .45 TAPPED HOLE
NOTE:	RIVET (BLANK) PARTS ARE SHIPPED UNASSEMBLED



SCHROFF