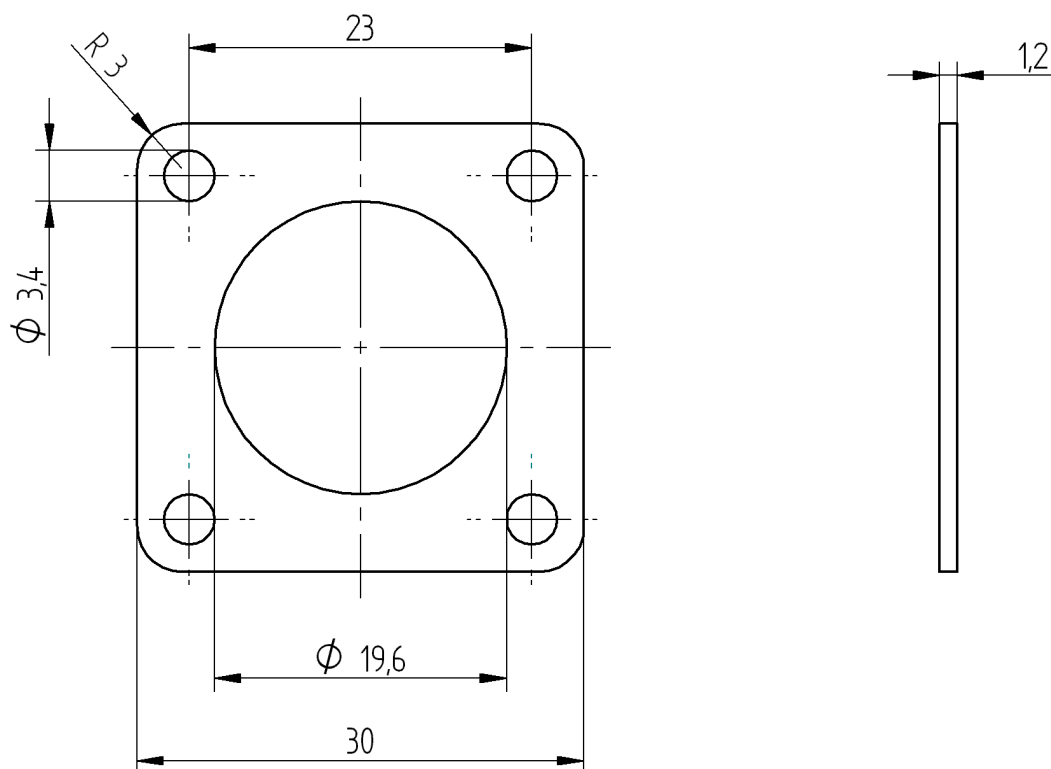
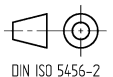


RoHS ✓



The information/details in this datasheet merely contain general descriptions or performance factors which, when applied in an actual situation, do not always correspond with the described form, and may be amended by way of the further development of products. The desired performance factors shall only be binding if these are expressly agreed on conclusion of the contract.



Product description

| | |
|-------------|-------------|
| Description | flat gasket |
| Type | CM 02 D 14S |
| Order No | 733-321-002 |

Materials

NBR, brown
hardness: 65±5 IRHD

Resistances

Hydraulic oil HM22 acc. EN ISO 6743-4
not resistant to ozone

Environmental conditions

Temperature range
-30°C to +90°C
notice temp.-range of appliance plug.

Accessories

Fitting to
CM 02 E 14S... und CM 02 L 14S... , appliance plug
N6R BM FA , appliance plug

Flat gasket ist required for protection class IP65, IP67 acc. to EN 60529 between appliance plug and the mounting surface.

Only if mounted and locked and in combination with Hirschmann connector

product overview

| Article-No. | Type |
|-------------|-------------|
| 733-321-002 | CM 02 D 14S |