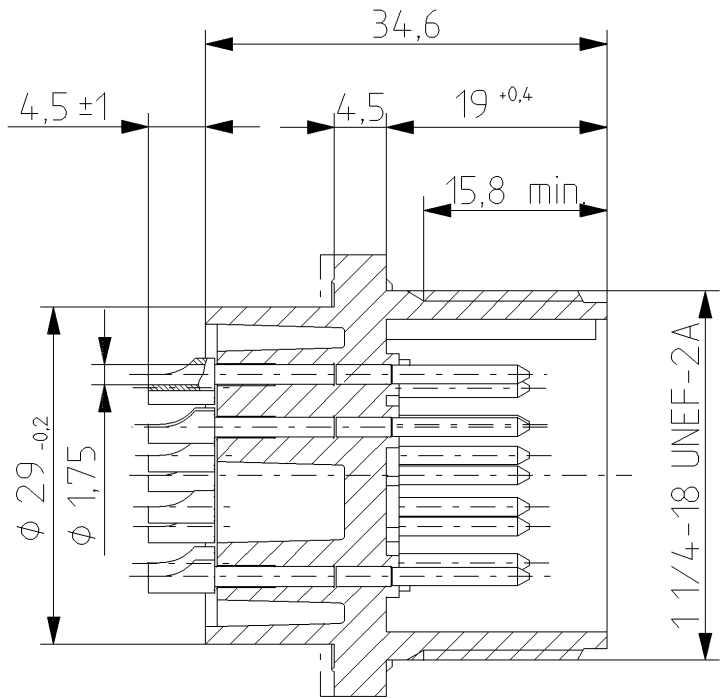
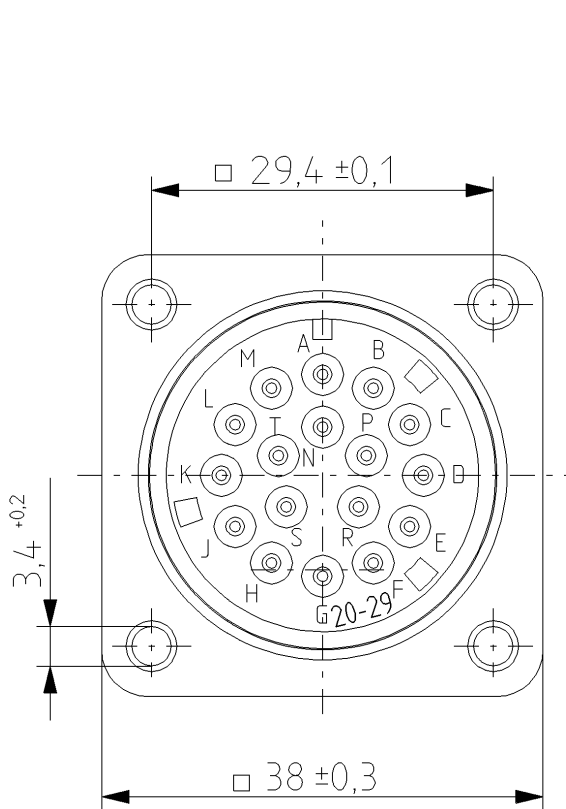
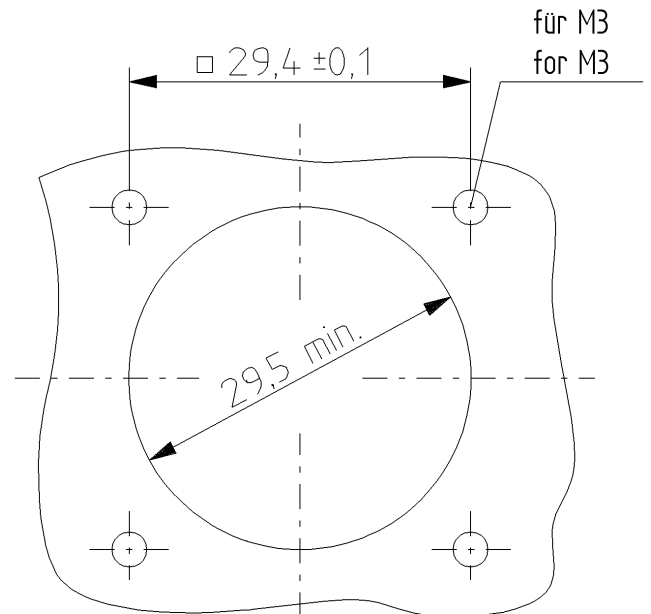


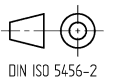
RoHS ✓



Montageausschnitt
Flanged connection



The information/details in this datasheet merely contain general descriptions or performance factors which, when applied in an actual situation, do not always correspond with the described form, and may be amended by way of the further development of products. The desired performance factors shall only be binding if these are expressly agreed on conclusion of the contract.



Product description

Description	appliance plug
Type	CM 02 E 20-29 P
Order No	933-063-100
Type of contacts	male
Number of contacts	17
Conductor size	max. 1,5 mm ²
Standard	MIL-C 5015 bzw. VG 95 342
Color housing	black

Technical data

Pin dimensions	Ø 1,6 mm
Clearance / Creepage distance	DIN EN 60664-1 (2008/01); VDE 0110-1
Rated voltage	50V AC/DC
Rated current *	5 A
Rated impulse voltage	0,5 kV
Pollution degree	3 acc. to DIN EN 60664-1 (VDE 0110-1)
Contact resistance	< 10 mOhm
Type of connection	solder
Mating cycles	max. 50
Mounting	M3 (4x)

* Notice derating

Materials

Contact	CuZn
Contact plating	Cu/Sn
Housing	PA 66 GF

Environmental conditions

Protection class (IEC 60529) *	IP67; IP65
Temperature range	-40°C to +90°C, notice derating

* only if mounted and locked in combination with Hirschmann / Lumberg connector.

Flammability class

Housing	UL 94 V-0
---------	-----------

Accessories

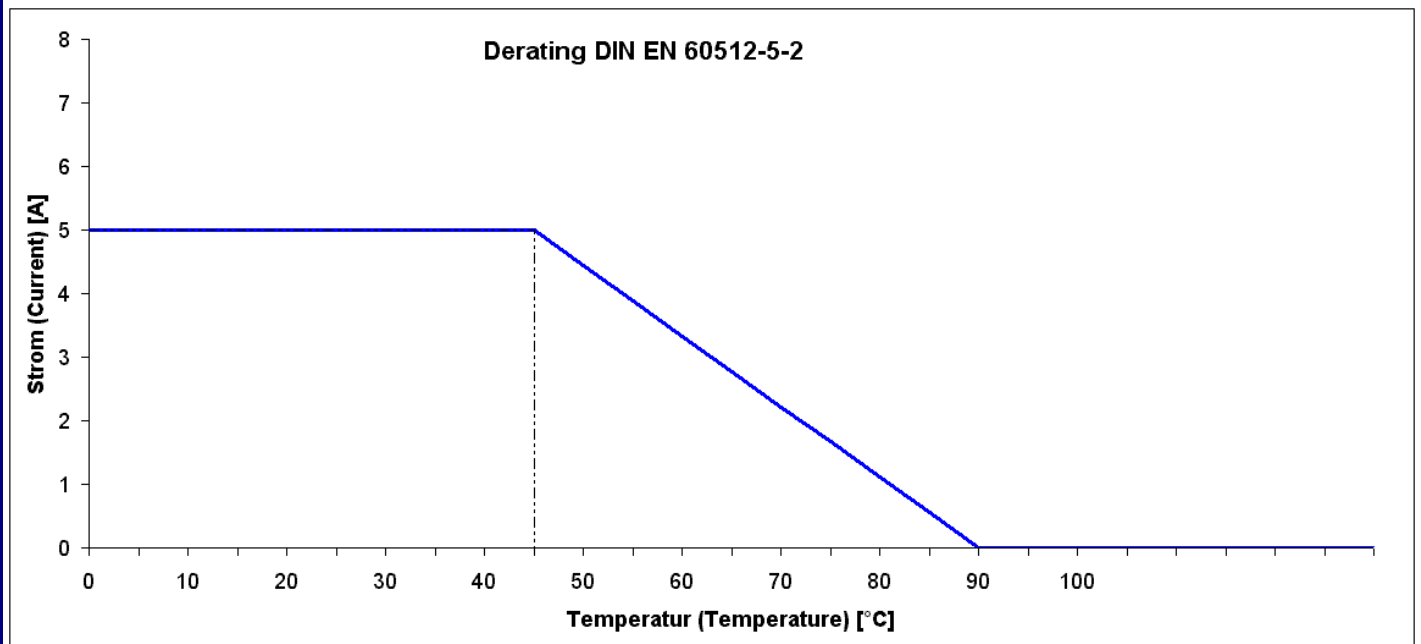
Mating connectors / fitting to	933-068-100: CM 06 EA 20-29 S, cable socket
Accessories to order separately	733-818-002: CM 02 D 20, Flat gasket
	831-766-100: CM 02 SD 20, protection cap

Additional technical data

Fastening torque (mounting screw)	M 3: (50-60) Ncm
-----------------------------------	------------------

Notes

Do not connect or disconnect under load.



product overview

Article-No.	Type
933-063-100	CM 02 E 20-29 P