




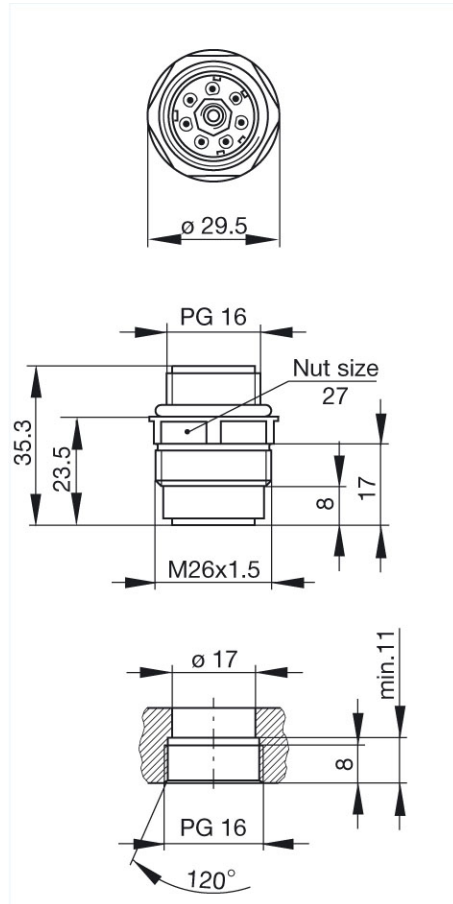
## Product information N6R AM 4

Industrial Connecting Solutions: Circular Connectors: MIL, DIN, Universal Connectors: DIN 43651 Connectors (NR series): Panel-mounted connector: N6R AM 4

<https://www.e-catalog.beldensolutions.com:443/link/57078-24228-256281-256284-24367-24372-36303/en/conf/ui/state>

Name	N6R AM 4
	
	Panel-mounted connector with contact bearer in the casing (monoblock design)
<b>Delivery informations</b>	
Availability	available
<b>Product description</b>	
Description	Panel-mounted connector with contact bearer in the casing (monoblock design)
Type	N6R AM 4
Order No.	931 592-003
Type of contact	male
Number of contacts	6 + PE
Conductor size	max. 1.5 mm <sup>2</sup>
Standard	DIN 43651
Housing Color	grey
<b>Technical data</b>	
Pin dimensions	1.6 mm
Rated voltage	AC/DC 250 V
Rated current	10 A
Contact resistance	<= 5 mOhm
Type of termination	crimp
Suitable cables	0.5 mm <sup>2</sup> to 1.5 mm <sup>2</sup>
Mounting	PG 16
<b>Material</b>	
Contact surface material	Ag
Contact bearer material	PET
Housing material	PET
<b>Environmental conditions</b>	
Protection class (IEC 60529)	IP 65
Temperature range	-40 °C to +90 °C
<b>Packing unit</b>	
Packing unit	10 pieces
<b>Scope of delivery and accessories</b>	
Scope of delivery	1 panel-mounted connector with O-Ring in polythene bag with assembly instructions
Accessories to order separately	can be plugged into N6R FF, N6R FF R, N6R EF; coding NC 6, order no. 831 002-011 protective cover SHK 1, order no. 733 849-011 contacts: RSC 162

Picture  
Drawing



**Belden Deutschland GmbH**  
Im Gewerbepark 2  
58579 Schalksmühle  
Germany  
Phone: +49 7127/14-1806  
E-Mail: [icos-sales@belden.com](mailto:icos-sales@belden.com)

The information published in the websites has been compiled as carefully as possible. It is subject to alteration without notice in technical as well as in price-related/commercial respect. The complete information and data were available on user documentation. Mandatory information can only be obtained by a concrete query.