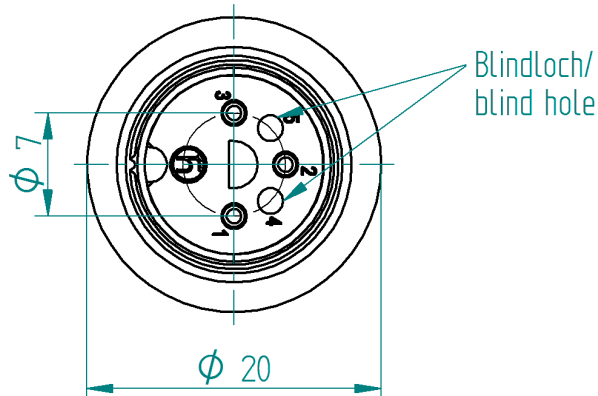
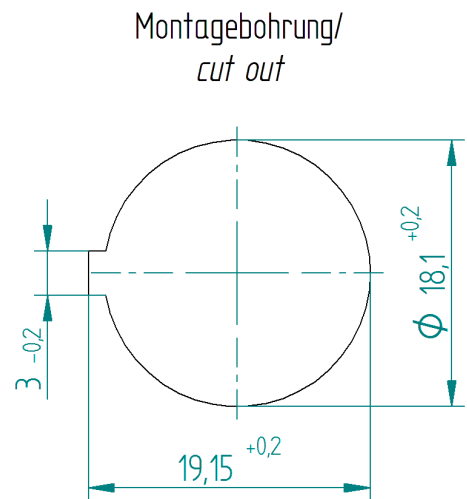
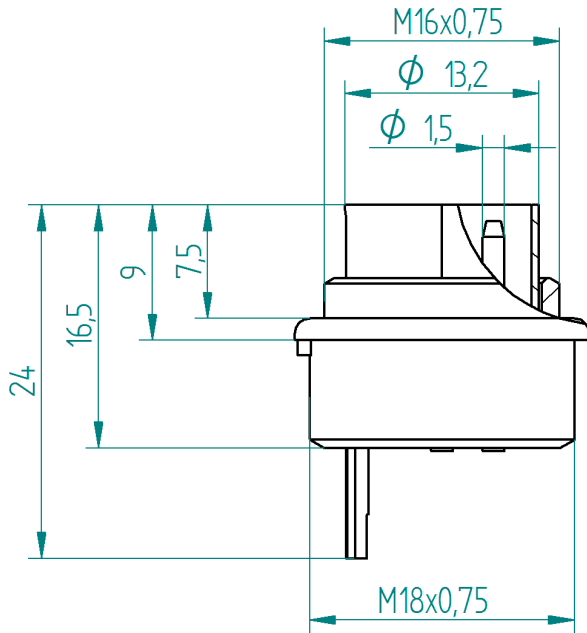
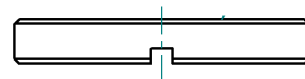


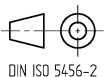
RoHS ✓



MASEI 3100-4  
lose beigelegt/ loose enclosed



The information/details in this datasheet merely contain general descriptions or performance factors which, when applied in an actual situation, do not always correspond with the described form, and may be amended by way of the further development of products. The desired performance factors shall only be binding if these are expressly agreed on conclusion of the contract.



**Product description**

Description	M16 receptacle connector - soldered connection
Type	MASEI 3100
Order No	see last page(s)
Type of contacts	male
Number of contacts	3
Pin arrangement	DIN 41 524
Conductor size	max. 0,34 mm <sup>2</sup>
Standard	EN 60 130-09

**Technical data**

Pin dimensions	Ø 1,5 mm
Rated voltage	34 V AC/DC
Rated current *	4 A
Type of connection	solder

\* Notice derating

**Materials**

Housing	PE
Contact bearer	PA 66
Contact	CuZn
Contact plating	Cu/Sn

**Environmental conditions**

Protection class (IEC 60529) *	IP30
Temperature range	-20°C to +60°C, notice derating

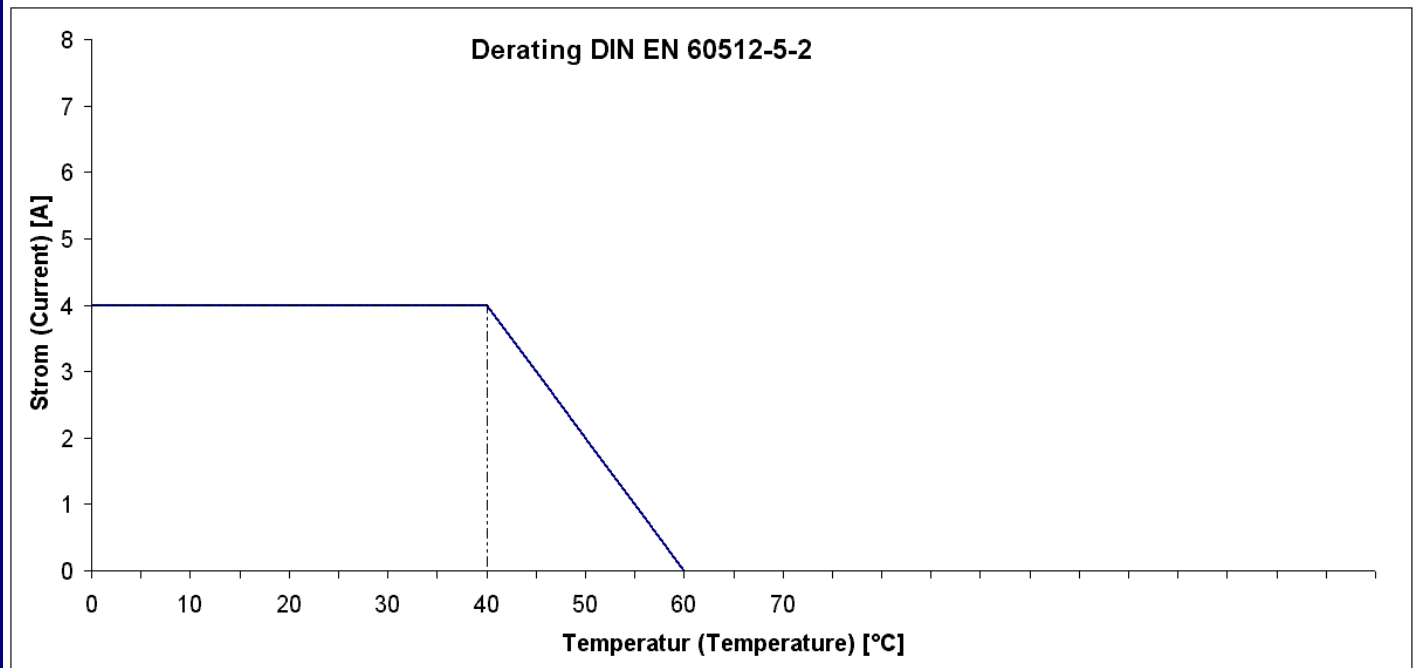
\* only if mounted and locked in combination with Hirschmann / Lumberg connector.

**Flammability class**

Contact bearer	UL 94 V-2
----------------	-----------

**Notes**

Do not connect or disconnect under load.



product overview

Article-No.	Type
930-296-517	MASEI 3100