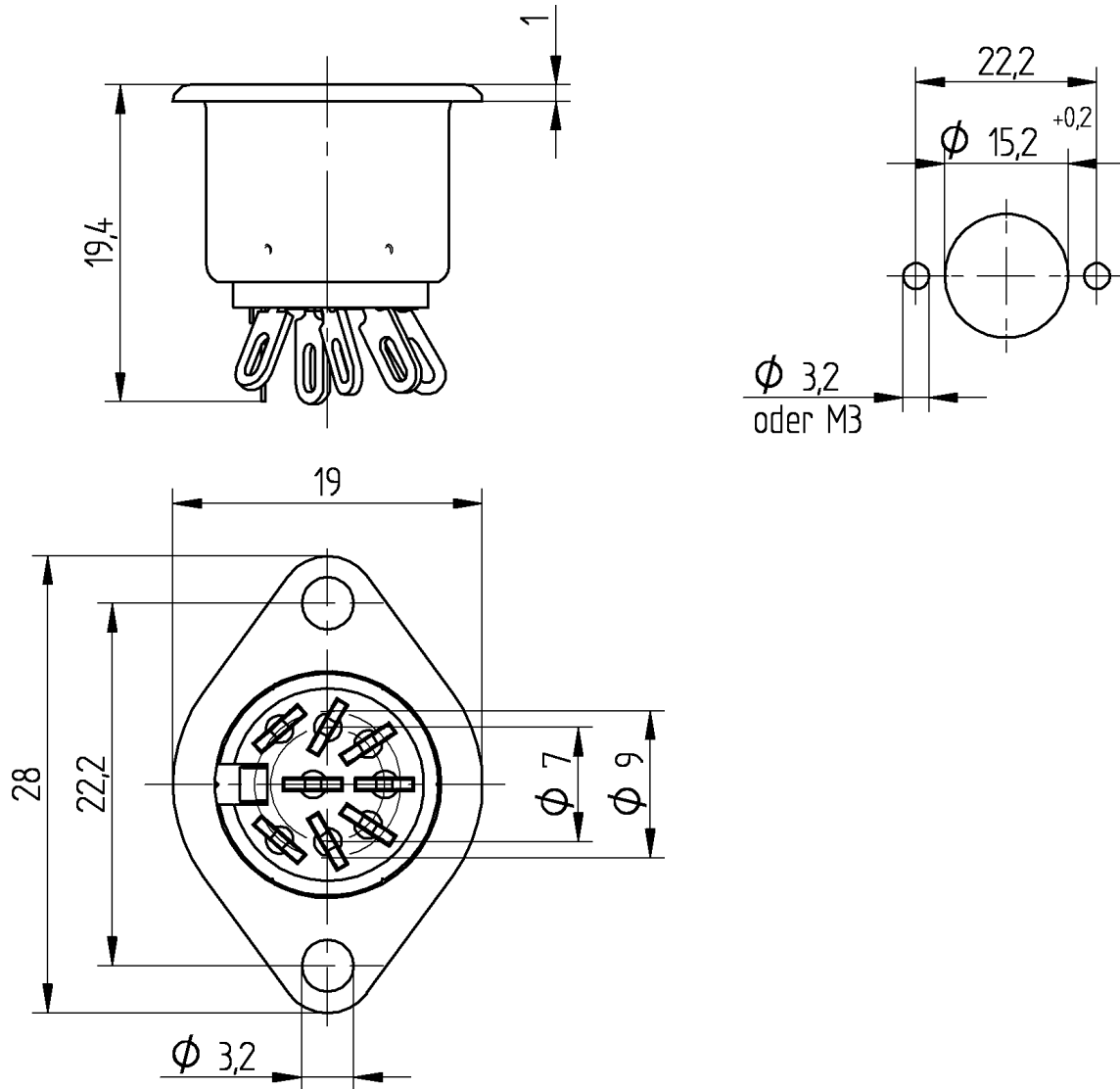
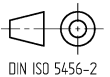


RoHS ✓



The information/details in this datasheet merely contain general descriptions or performance factors which, when applied in an actual situation, do not always correspond with the described form, and may be amended by way of the further development of products. The desired performance factors shall only be binding if these are expressly agreed on conclusion of the contract.



Product description

Description	panel-mounted socket
Type	MAB 8 S
Order No	930-345-200
Type of contacts	female
Number of contacts	8
Conductor size	max. 0,34 mm ²
Standard	EN 60 130-9, DIN 41524
Color housing	silver
Color contact bearer	black

Technical data

Rated voltage	34V AC/DC
Rated current *	4 A
Pollution degree	3 acc. to DIN EN 60664-1 (VDE 0110-1)
Type of connection	solder
Mating cycles	max. 50
Mounting	screw M3 (2x)

* Notice derating

Materials

Contact	CuZn
Contact plating	Cu/Sn
Contact bearer	PA 66
Housing	Fe
Surface housing	Fe/Ni

Environmental conditions

Protection class (IEC 60529) *	IP30
Temperature range	-20°C to +60°C, notice Derating

* only if mounted and locked in combination with Hirschmann / Lumberg connector.

Flammability class

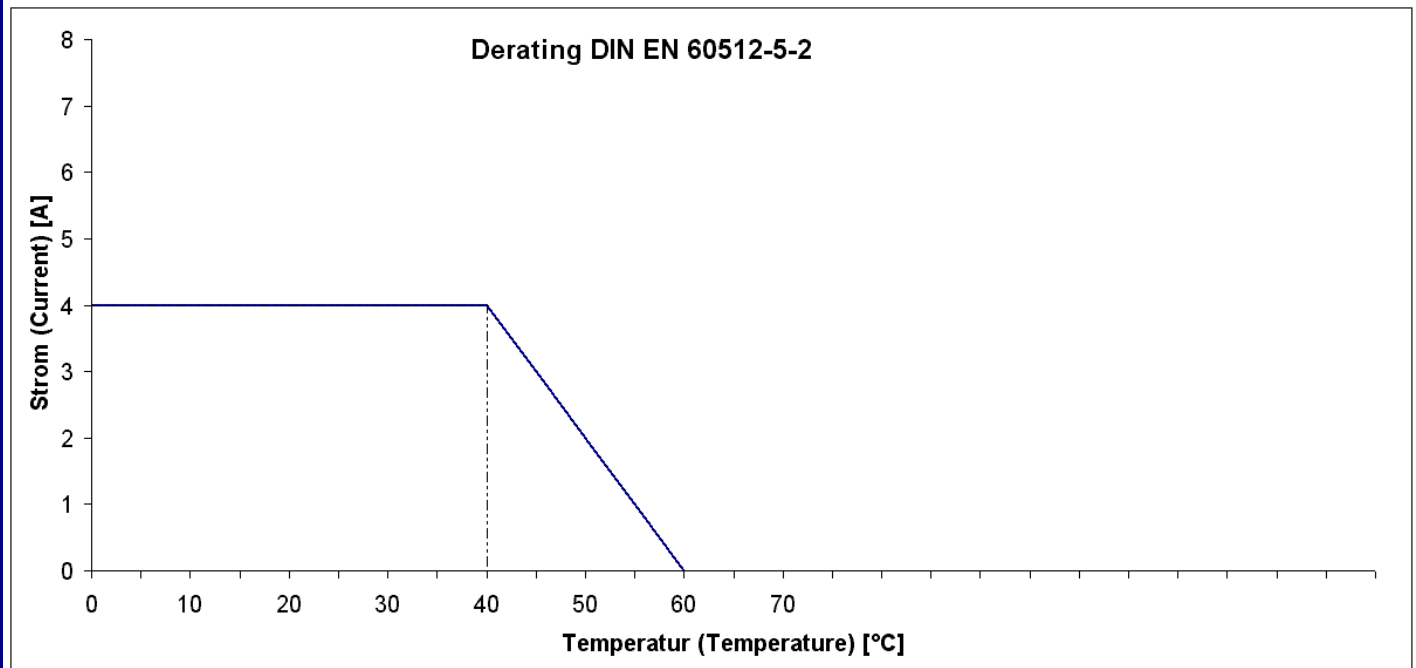
Contact bearer	UL 94 V-2
----------------	-----------

Accessories

Mating connectors / fitting to	cabel plug acc. to: DIN EN 60 130-9; Pin assignment: DIN 41524
--------------------------------	---

Notes

Do not connect or disconnect under load.



product overview

Article-No.	Type
930-345-200	MAB 8 S