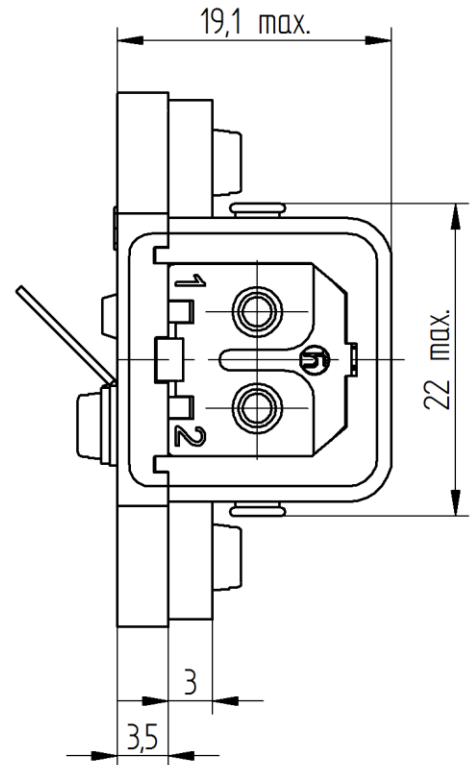
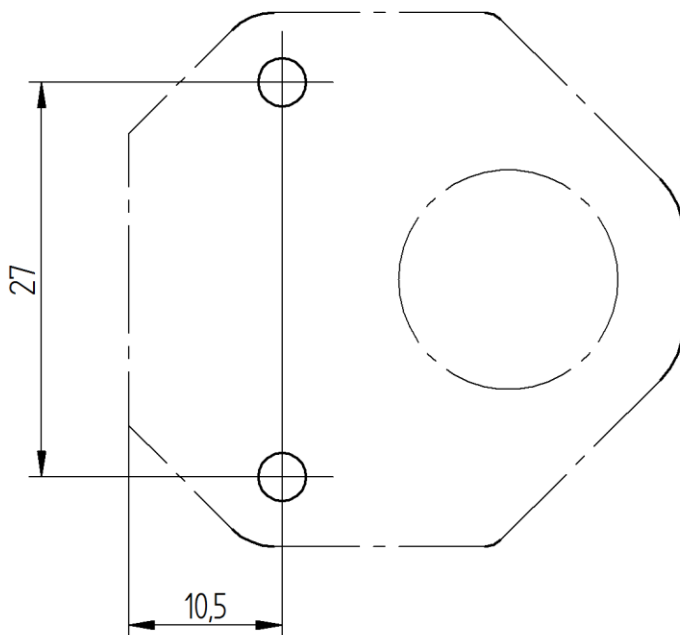


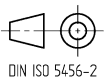
Schraube M3
screw M3



Montageausschnitt
Panel cutout



The information/details in this datasheet merely contain general descriptions or performance factors which, when applied in an actual situation, do not always correspond with the described form, and may be amended by way of the further development of products. The desired performance factors shall only be binding if these are expressly agreed on conclusion of the contract.



Product description

Description	Mounting plug
Type	STASAP 200
Type of contacts	male
Number of contacts	2+PE
Conductor size	max. 1,5 mm ²
Standard	DIN EN 61984 (VDE 0627)
Color housing	grey
Color contact bearer	black

Technical data

Clearance / Creepage distance	DIN EN 60664-1 (2008/01); VDE 0110-1
Rated voltage	250 V AC/DC
Rated current *	DC: 10A, AC: 16A
Rated impulse voltage	2,5kV
Pollution degree	3 acc. to DIN EN 60664-1 (VDE 0110-1)
Contact resistance	≤ 5 mOhm
Type of connection	screw terminal
Mating cycles	max. 50
Mounting	screw: M3 (2x)

* Notice derating

Materials

Contact	CuZn
Contact plating	Cu/Sn
Contact bearer	PA 66 GF
Housing	PA 6 GF, baseplate: ZnAl Cu
Surface housing	baseplate: Ni
Fastening screw	M3: 4.8, Ni
Contact screw	M2,5: CuZn, Ni
Gasket(s)	NBR, Flat gasket (black)

Environmental conditions

Protection class (IEC 60529) *	IP54
Temperature range	-30°C to +90°C, notice Derating

* only if mounted and locked in combination with Hirschmann / Lumberg connector.

Flammability class

Housing	UL 94 HB
Contact bearer	UL 94 V-0

Approvals

VDE	VDE-Reg.-Nr.: 1796
UL	E95522

Accessories

Mating connectors	cable plug: STAK 200 ...
Accessories to order separately	732-044-000: STASI 2, safety bracket

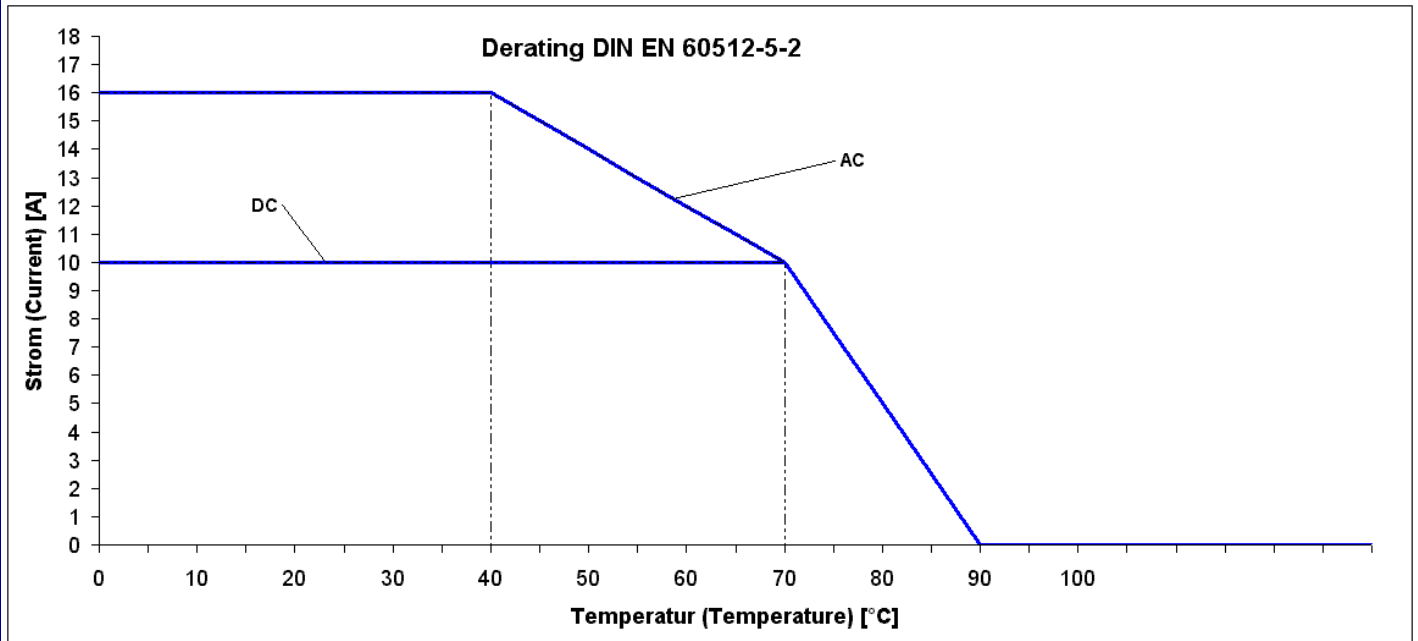
Additional technical data

Fastening torque (mounting screw)
Fastening torque (contact screw)

M 3: (50-60) Ncm
M 2,5: (35-40) Ncm

Notes

Do not connect / disconnect under load.



product overview

Article-No.	Type
932-046-106	STASAP 200