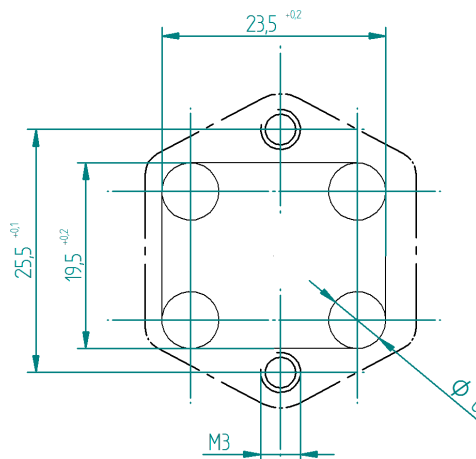
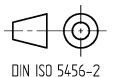


Montageausschnitt/
Panel cutout



The information/details in this datasheet merely contain general descriptions or performance factors which, when applied in an actual situation, do not always correspond with the described form, and may be amended by way of the further development of products. The desired performance factors shall only be binding if these are expressly agreed on conclusion of the contract.



Product description

Description	Panel mounted plug - unmounted with enclosed contacts, sealing enclosed separately
Type	STASEI 5
Order No	931-697-106
Number of contacts	5+PE
Conductor size	max. 1,0 mm ²
Standard	DIN EN 61984, IEC 60335
Color housing	grey
Color contact bearer	black

Technical data

Clearance / Creepage distance	DIN EN 60664-1 (2008/01); VDE 0110-1
Rated voltage	400 V AC / 250 V DC
Rated current *	6 A AC / 10 A DC
Pollution degree	3 acc. to DIN EN 60664-1 (VDE 0110-1)
Contact resistance	< 10 mOhm
Type of connection	crimp
Mounting	screw: M 3

* Notice derating

Materials

Contact bearer	PA 6 GF
Housing	PA 6.6 GF
Contact	CuZn
Contact plating	Cu/Sn
Fastening screw	A4, stainless steel
Hexagon nut	A4, stainless steel
Gasket(s)	NBR, Flat gasket

Environmental conditions

Protection class (IEC 60529) *	IP54
Temperature range (connector)	-30°C to +90°C, notice Derating

* only if mounted and locked in combination with Hirschmann / Lumberg connector.

Flammability class

Housing	UL 94 HB
Contact bearer	UL 94 V-0

Approvals

VDE	VDE-Reg.-Nr.: 1806
SEV	ESTI: 10.0329

Accessories

Scope of delivery	Panel mounted plug with flat gasket
Mating connectors / fitting to	Sockets of series STAK... 5
Accessories to order separately	STASI 3, 732-045-..., safety bracket

Additional technical data

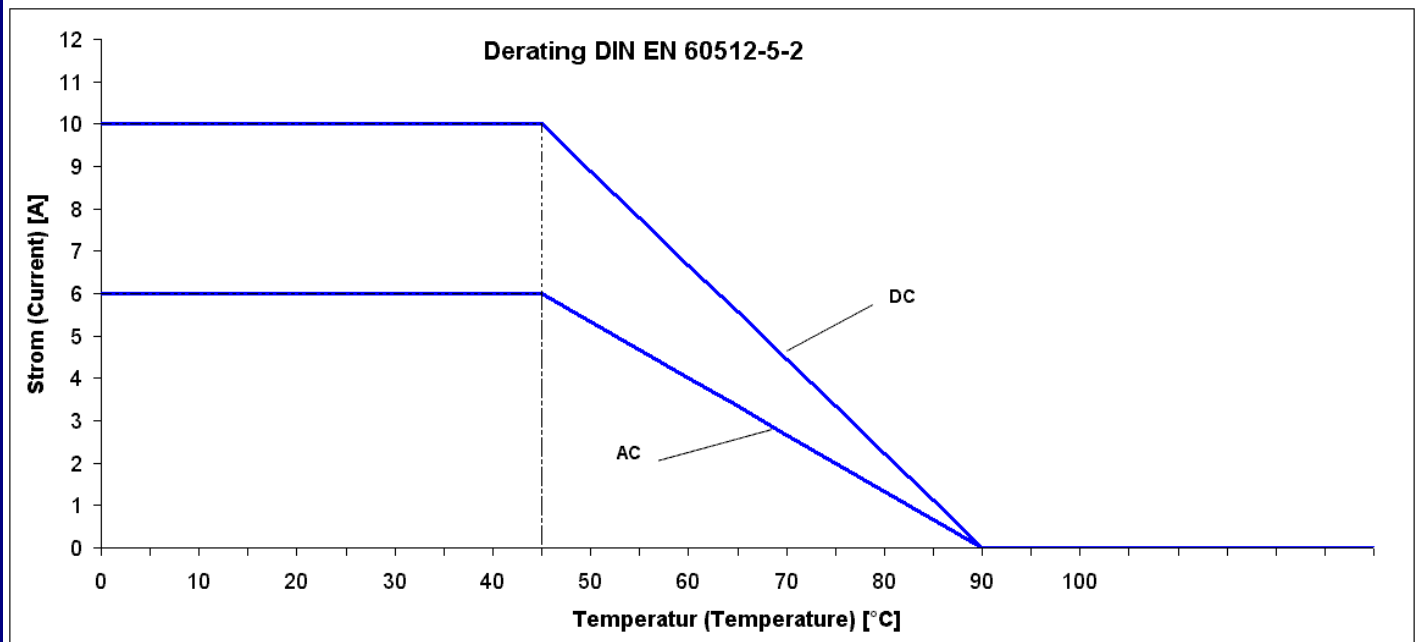
Fastening torque (mounting screw)

M 3: (50-60) Ncm, flange

M 2,5: (40-50) Ncm, housing

Notes

Do not connect or disconnect under load.



product overview

Article-No.	Type
931-697-106	STASEI 5