




Product information GM 209 NJ schwarz/black

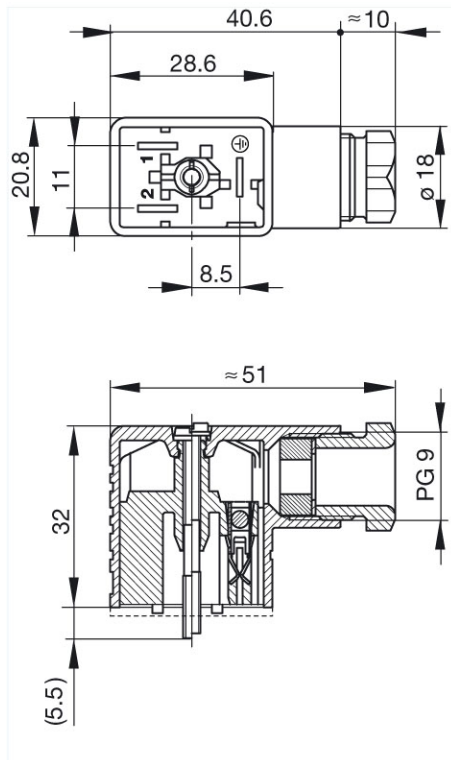
Industrial Connecting Solutions:Rectangular Connectors:Valve Connectors (Type A -B -C):Type B:Field Attachable Valve Connectors:Valve Connectors (Industrial standard):GM 209 NJ schwarz/black
<https://www.e-catalog.beldensolutions.com:443/link/57078-24228-256261-256266-256271-276218-24325-35194/en/conf/uisstate>

Name	GM 209 NJ schwarz/black
	
	cable socket with central screw M 3 x 35
Delivery informations	
Availability	available
Product description	
Description	cable socket with central screw M 3 x 35
Type	GM 209 NJ schwarz/black
Order No.	932 977-100
Other standard types	grey housing, Order No. 932 977-106
Number of contacts	2 + PE
Cable gland	PG 9
Conductor size	max. 1.5 mm ²
Standard	industrial standard (11 mm)
Housing Color	black
Construction type	B
Technical data	
Pin dimensions	6.3 mm x 0.8 mm
Rated voltage	AC/DC 250 V
Rated current	16 A
Contact resistance	<= 4 mOhm
Type of termination	screw / cable shoe / cable eye
Suitable cables	4.5 mm to 7 mm diameter
Mounting	central screw
Material	
Contact surface material	Sn
Contact bearer material	PA
Housing material	PA
Environmental conditions	
Protection class (IEC 60529)	IP 65
Pollution severity	3
Temperature range	-40 °C to +125 °C
Inflammability class	
Housing	94 V-1
Contact bearer	94 HB
Approvals	
UR	UR
VDE	VDE
SEV	SEV
CSA	CSA (not for interrupt current)
Packing unit	
Packaging unit	200 pieces
Scope of delivery and accessories	
Accessories to order separately	(NBR) flat gasket GM 207-3, Order No. 731 423-002; (EPDM) flat gasket GM 207-7,

Industrial Connecting Solutions:Rectangular Connectors:Valve Connectors (Type A -B -C):Type B:Field Attachable Valve Connectors:Valve Connectors (Industrial standard):GM 209 NJ schwarz/black
<https://www.e-catalog.beldensolutions.com:443/link/57078-24228-256261-256266-256271-276218-24325-35194/en/conf/ui/state>

Order No. 731 755-004;
 knurled screw GDM 3011-8,
 Order No. 732 574-001;
 stainless steel screw GDM 3011 RF-1,
 Order No. 734 363-001

Picture
Drawing



Belden Deutschland GmbH
 Im Gewerbepark 2
 58579 Schalksmühle
 Germany
 Phone: +49 7127/14-1806
 E-Mail: icos-sales@belden.com

The information published in the websites has been compiled as carefully as possible. It is subject to alteration without notice in technical as well as in price-related/commercial respect. The complete information and data were available on user documentation. Mandatory information can only be obtained by a concrete query.