




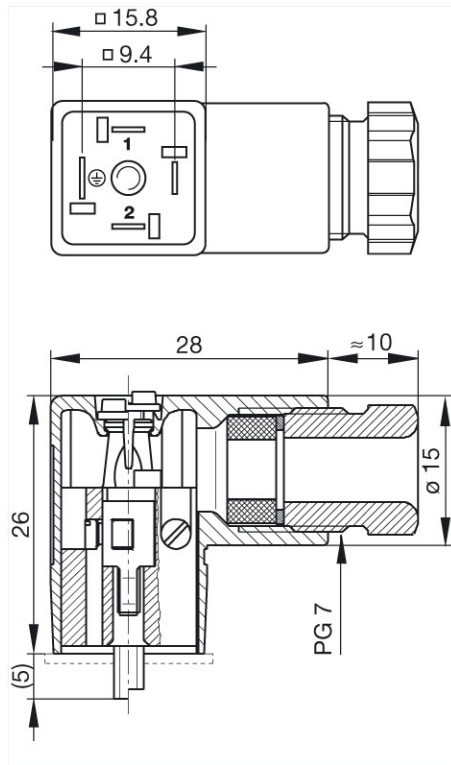
## Product information GDS 207 schwarz/black

Industrial Connecting Solutions:Rectangular Connectors:Valve Connectors (Type A -B -C):Type C:Field Attachable Valve Connectors:Valve Connectors (Industrial standard):GDS 207 schwarz/black

<https://www.e-catalog.beldensolutions.com:443/link/57078-24228-256261-256266-256272-276221-24344-35391/en/conf/uisstate>

Name	GDS 207 schwarz/black
	
	cable socket with central screw M 3 x 28
<b>Delivery informations</b>	
Availability	available
<b>Product description</b>	
Description	cable socket with central screw M 3 x 28
Type	GDS 207 schwarz/black
Order No.	933 138-100
Other standard types	grey housing, Order No. 933 138-106
Number of contacts	2 + PE
Cable gland	PG 7
Conductor size	max. 0.75 mm <sup>2</sup>
Standard	industrial standard (9,4 mm)
Housing Color	black
Construction type	C
<b>Technical data</b>	
Pin dimensions	2,8 mm x 0,5 mm, 3,6 mm x 0,5 mm
Rated voltage	AC/DC 250 V
Rated current	6 A
Contact resistance	<= 4 mOhm
Type of termination	screw
Suitable cables	4.5 mm to 6 mm diameter
Mounting	central screw
<b>Material</b>	
Contact surface material	Sn
Contact bearer material	PA
Housing material	PA
<b>Environmental conditions</b>	
Protection class (IEC 60529)	IP 65
Pollution severity	3
Temperature range	-40 °C to +125 °C
<b>Inflammability class</b>	
Housing	94 HB
Contact bearer	94 V-2
<b>Approvals</b>	
UR	UR
VDE	VDE
SEV	SEV
CSA	CSA
<b>Packaging unit</b>	
Packaging unit	200 pieces
<b>Scope of delivery and accessories</b>	
Accessories to order separately	(NBR) flat gasket GDS 307-2, Order No. 730 185-002; (EPDM) flat gasket GDS 307-4, Order No. 730 314-004

Picture  
Drawing



**Belden Deutschland GmbH**  
 Im Gewerbepark 2  
 58579 Schalksmühle  
 Germany  
 Phone: +49 7127/14-1806  
 E-Mail: [icos-sales@belden.com](mailto:icos-sales@belden.com)

The information published in the websites has been compiled as carefully as possible. It is subject to alteration without notice in technical as well as in price-related/commercial respect. The complete information and data were available on user documentation. Mandatory information can only be obtained by a concrete query.