

## Technical Specifications



# ULTRAVOICE XM1800S

3 Dynamic Cardioid Vocal and Instrument Microphones (Set of 3)

# ULTRAVOICE XM1800S

## 3 Dynamic Cardioid Vocal and Instrument Microphones (Set of 3)

- Dynamic vocal and instrument microphone with on/off switch for excellent studio and live performance
- Ultra-wide frequency response for brilliant and transparent sound
- Extremely high signal output lets your voice cut through
- Cardioid characteristic minimizes background noise and feedback
- Convenient on/off switch to mute during breaks
- Integrated spherical wind and pop noise filter
- Microphone stand adapter and impact-resistant carrying case included
- High-quality components and exceptionally rugged construction ensure long life
- Conceived and designed by BEHRINGER Germany

## Specifications

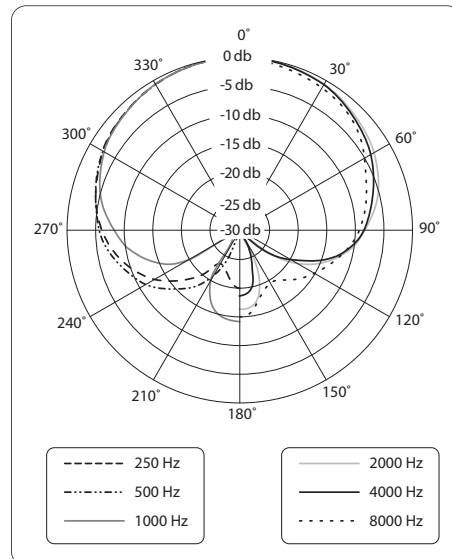
Type	Dynamic
Frequency response	80 Hz - 15 kHz
Polar pattern	Super cardioid
Impedance	600 $\Omega$
Sensitivity	-52 dBV (0 dBV = 1 V/Pa), 2.5 mV/Pa
Connector	3-pin balanced XLR (male)

### Physical/Weight

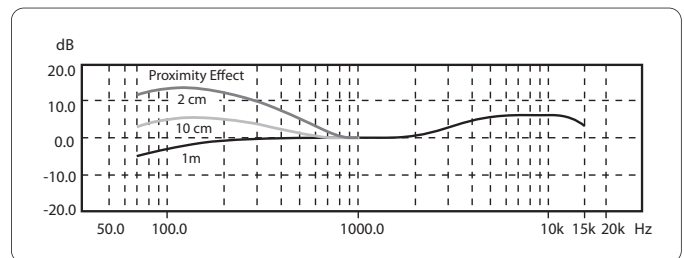
#### Dimensions

Head length	57.5 mm
Main unit length	117.5 mm
Total length	175 mm

Weight	270 g
--------	-------



Polar Pattern



Frequency Response Chart

BEHRINGER is constantly striving to maintain the highest professional standards. As a result of these efforts, modifications may be made from time to time to existing products without prior notice. Specifications and appearance may differ from those listed or illustrated.

TECHNICAL SPECIFICATIONS AND APPEARANCE ARE SUBJECT TO CHANGE WITHOUT NOTICE. THE INFORMATION CONTAINED HEREIN IS CORRECT AT THE TIME OF PRINTING. ALL TRADEMARKS ARE THE PROPERTY OF THEIR RESPECTIVE OWNERS. MUSIC GROUP ACCEPTS NO LIABILITY FOR ANY LOSS WHICH MAY BE SUFFERED BY ANY PERSON WHO RELIES EITHER WHOLLY OR IN PART UPON ANY DESCRIPTION, PHOTOGRAPH OR STATEMENT CONTAINED HEREIN. COLORS AND SPECIFICATIONS MAY VARY FROM ACTUAL PRODUCT. MUSIC GROUP PRODUCTS ARE SOLD THROUGH AUTHORIZED FULLFILLERS AND RESELLERS ONLY. FULLFILLERS AND RESELLERS ARE NOT AGENTS OF MUSIC GROUP AND HAVE ABSOLUTELY NO AUTHORITY TO BIND MUSIC GROUP BY ANY EXPRESS OR IMPLIED UNDERTAKING OR REPRESENTATION. THIS MANUAL IS COPYRIGHTED. NO PART OF THIS MANUAL MAY BE REPRODUCED OR TRANSMITTED IN ANY FORM OR BY ANY MEANS, ELECTRONIC OR MECHANICAL, INCLUDING PHOTOCOPYING AND RECORDING OF ANY KIND, FOR ANY PURPOSE, WITHOUT THE EXPRESS WRITTEN PERMISSION OF MUSIC GROUP IP LTD. ALL RIGHTS RESERVED. © 2011 MUSIC GROUP IP LTD. TRIDENT CHAMBERS, WICKHAMS CAY, P.O. BOX 146, ROAD TOWN, TORTOLA, BRITISH VIRGIN ISLANDS