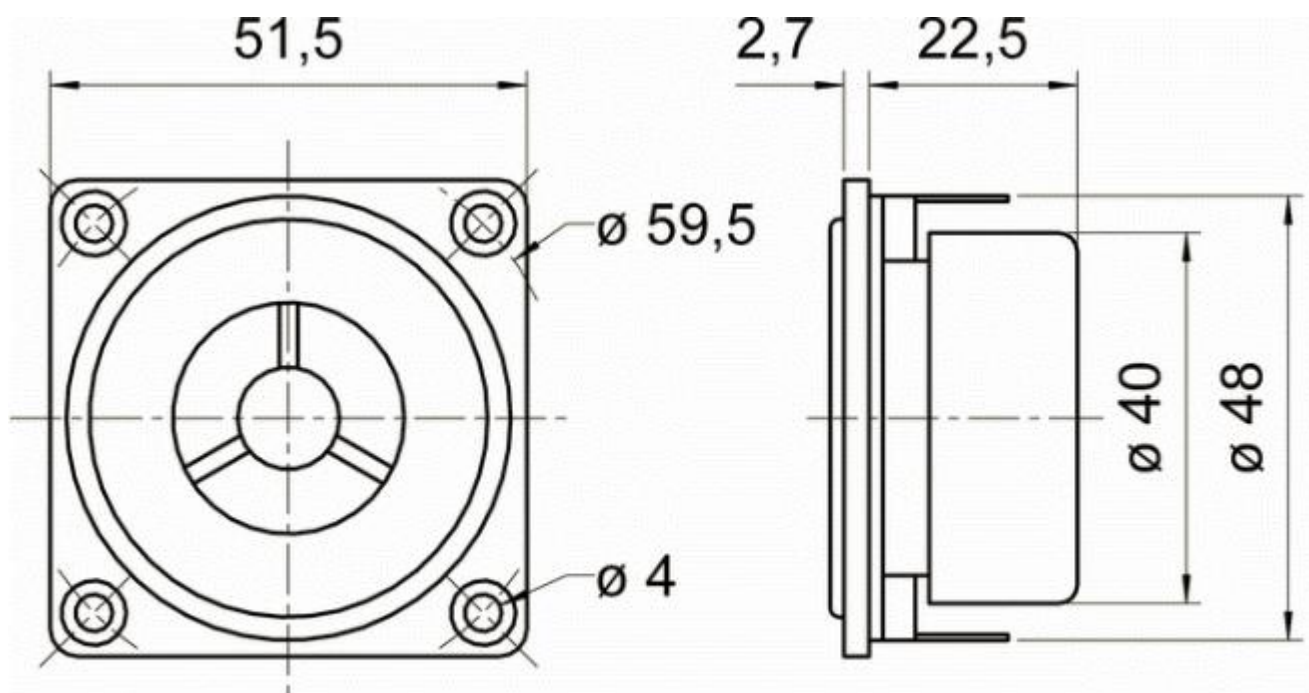


Technical Data

Nominal impedance Z	8 Ohm
Frequency response	1500–22000 Hz
Mean sound pressure level	90 dB (1 W/1 m)
Opening angle (-6 dB)	107°/8000 Hz
Resonance frequency fs	2000 Hz
Magnetic induction	0.7 T
Magnetic flux	33 μWb
Height of front pole-plate	2 mm
Voice coil diameter	13 mm
Height of winding	2 mm
Cutout diameter	48 mm
Net weight	0.098 kg
Connections	5.2 x 0.5 mm (+) 2.8 x 0.5 mm (-)
Peak power handling with high pass	100 W (12 dB/Okt.; 6000 Hz)
Nominal power handling with high pass	60 W (12 dB/Okt.; 6000 Hz)



SC 5
12.02.04